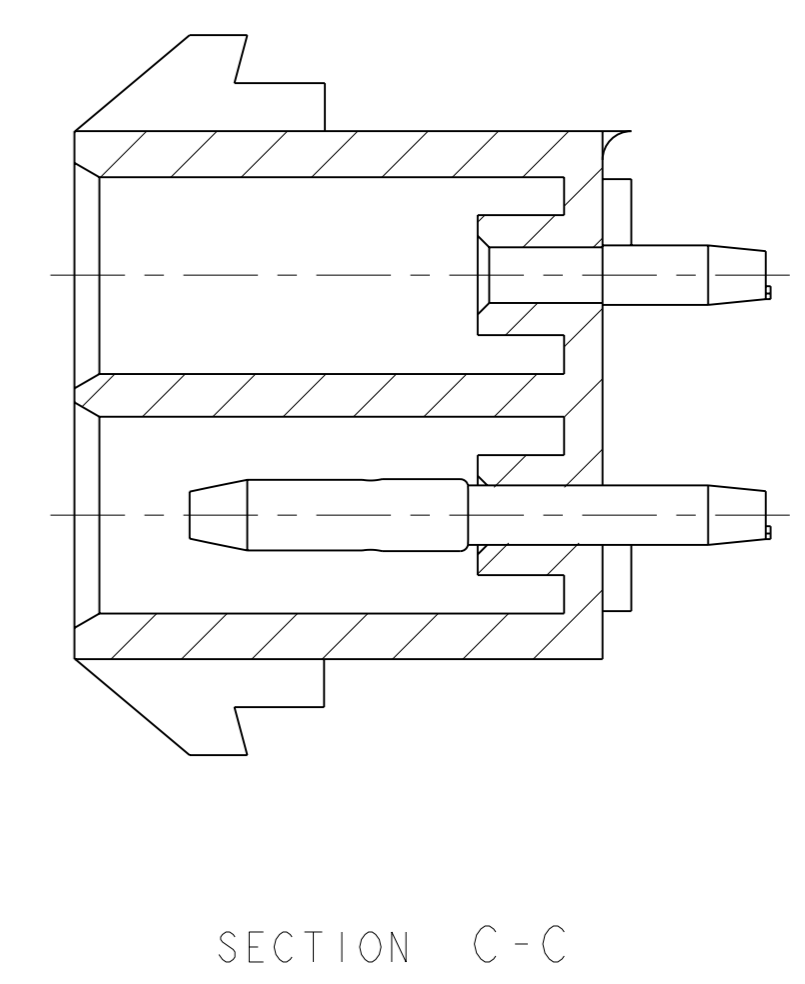
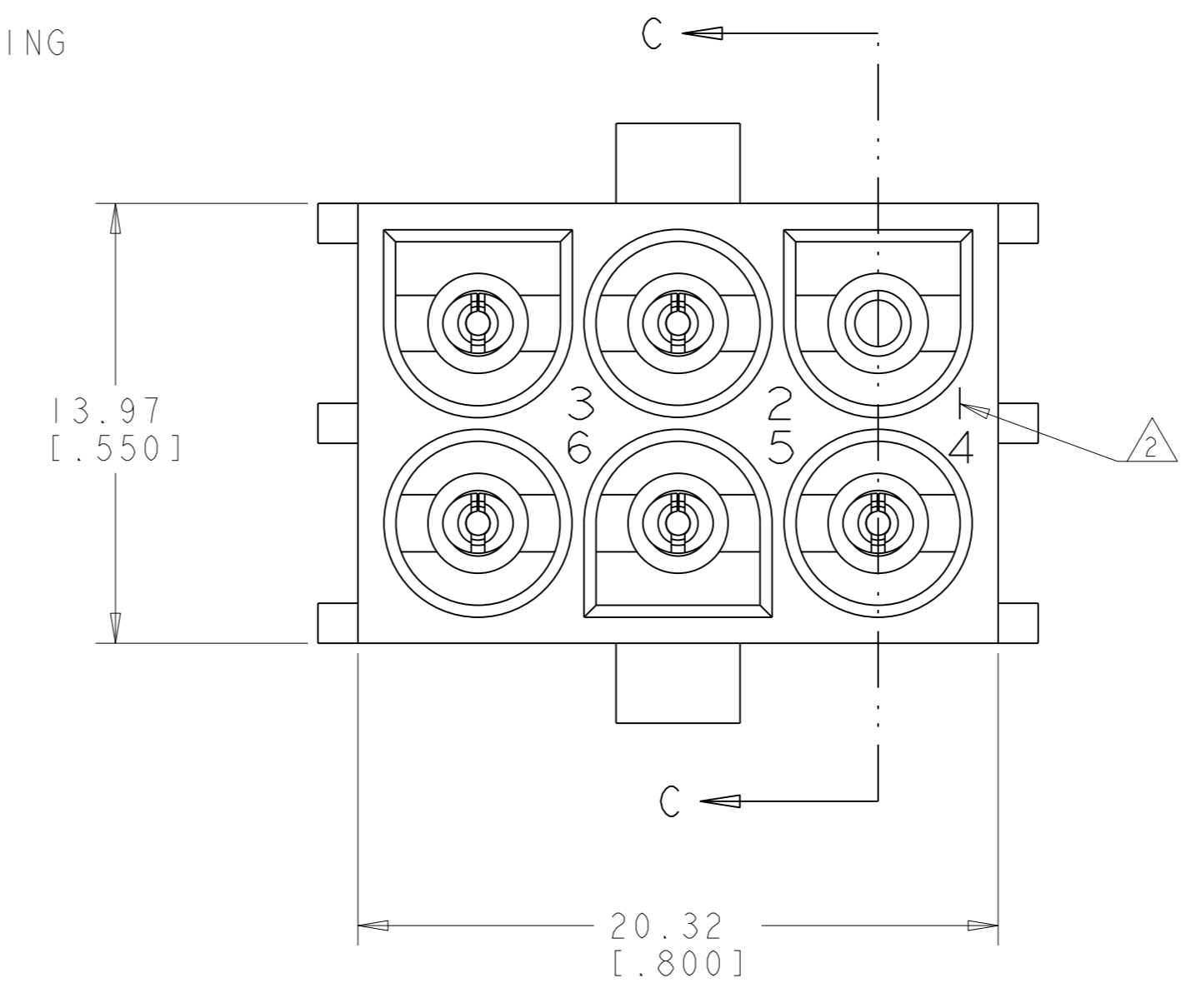
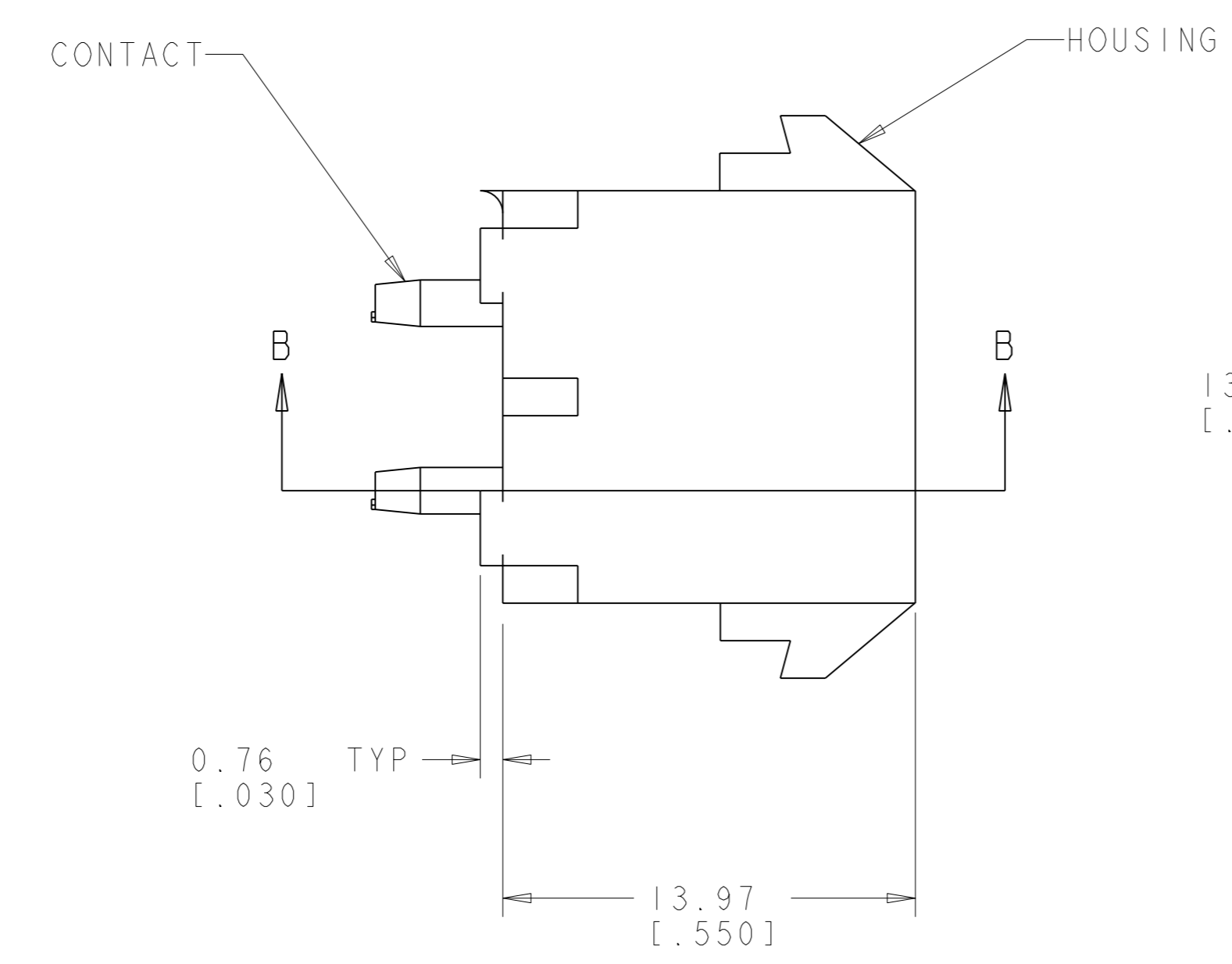
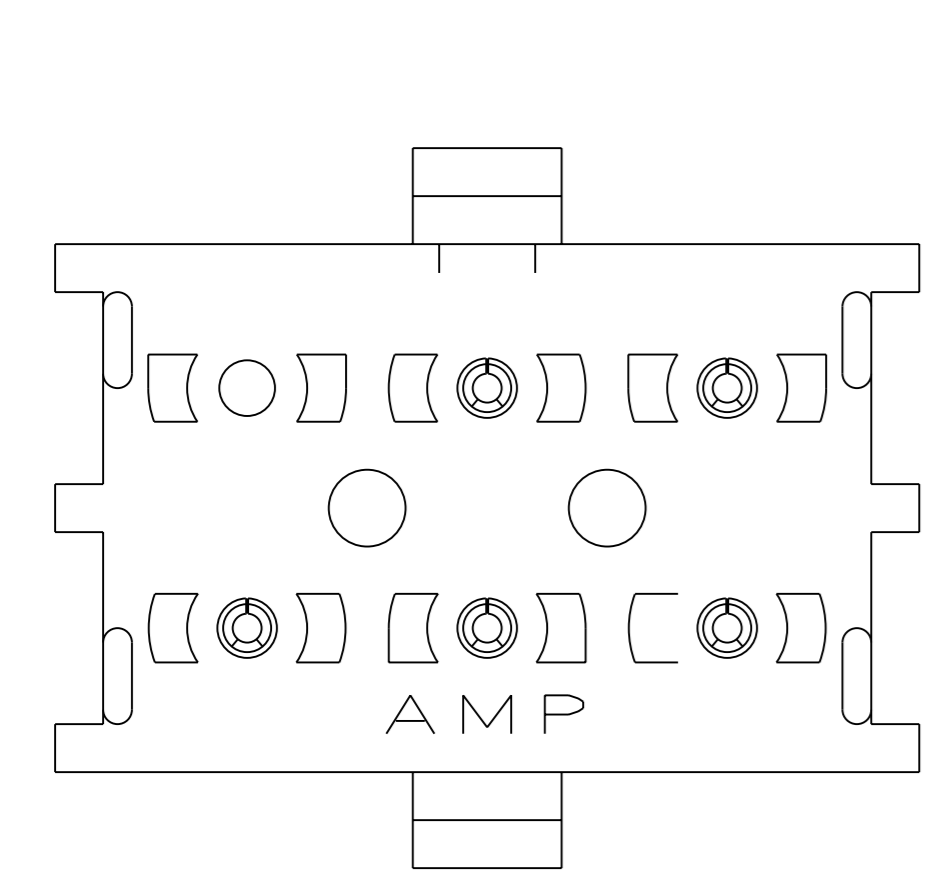
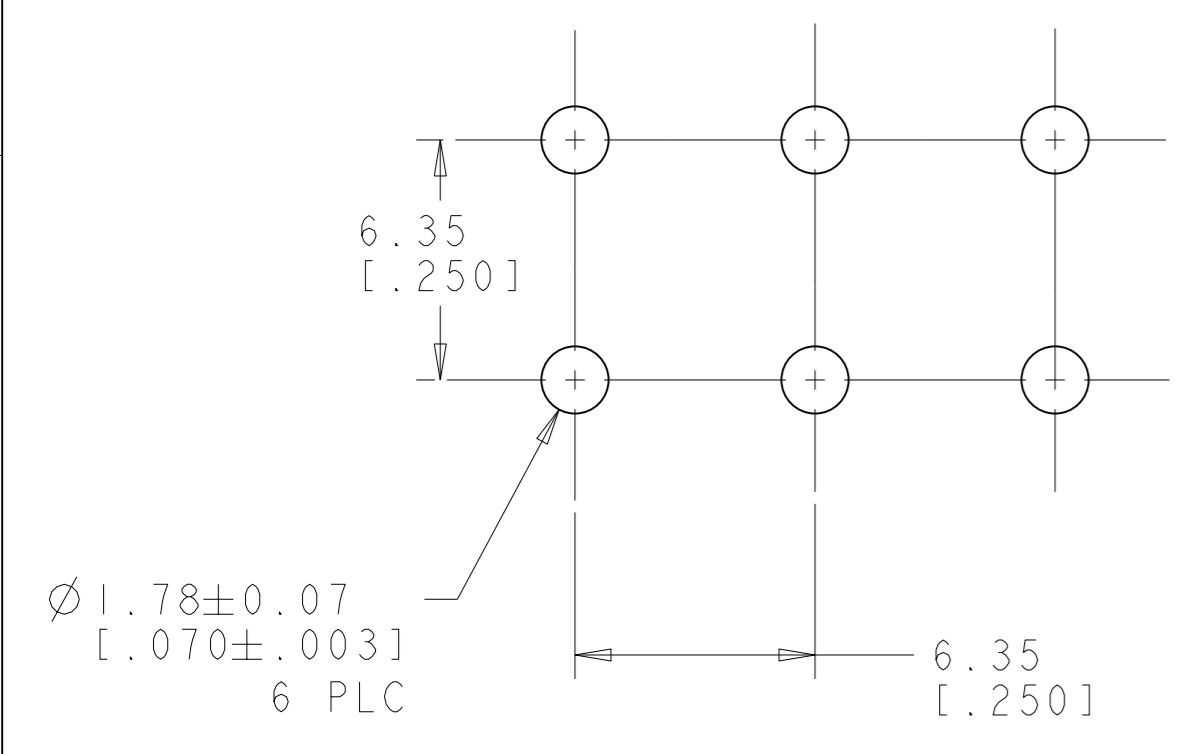


LOC		DIST		REVISIONS			
F	LYR	DESCRIPTION	DATE	DWN	APVD		
A		RELEASED PER WR-05-27	03MAY05	KW	SR		

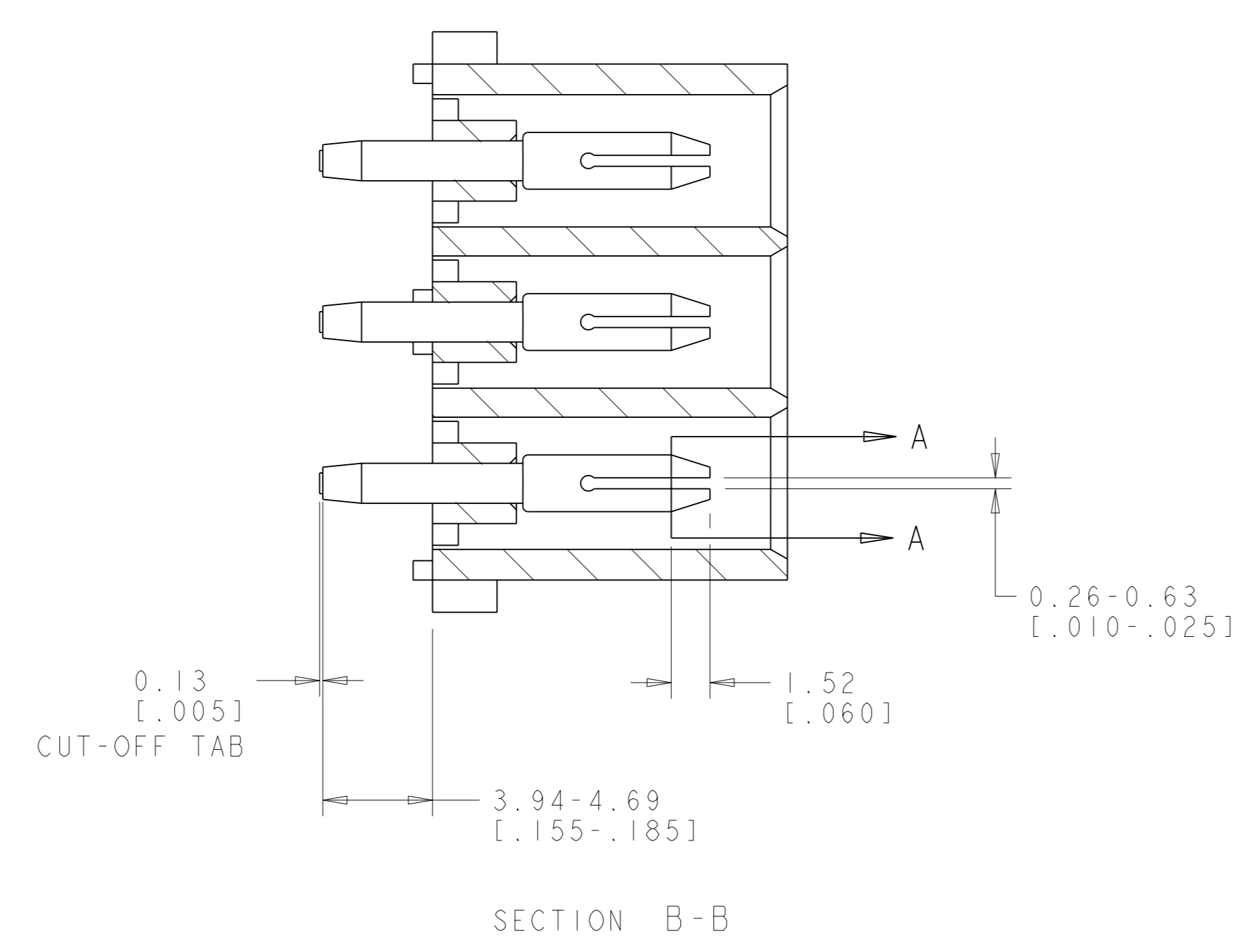
- PARTS COMPLY TO AMP SOLDERABILITY SPECIFICATION 109-11-3.
- CIRCUIT IDENTIFICATION CHARACTERS ARE ADJACENT TO THE INDICATED CAVITIES, BUT LOCATION AND ORIENTATION MAY DIFFER FROM PRINT.
- DIMENSIONS IN BRACKETS ARE IN INCHES.



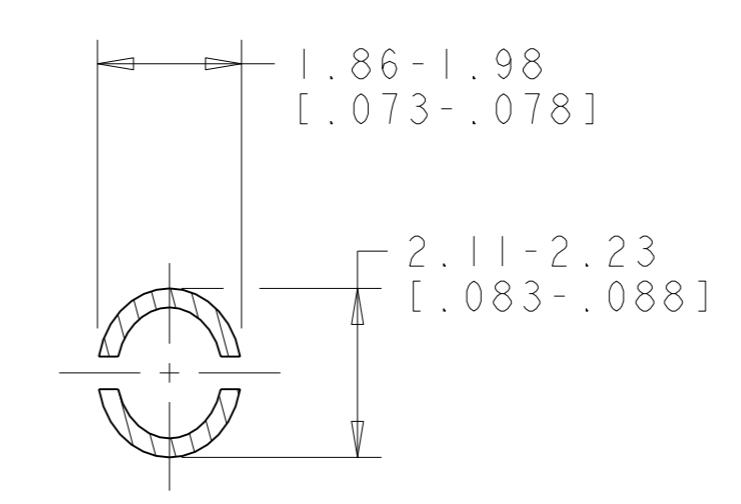
SECTION C-C



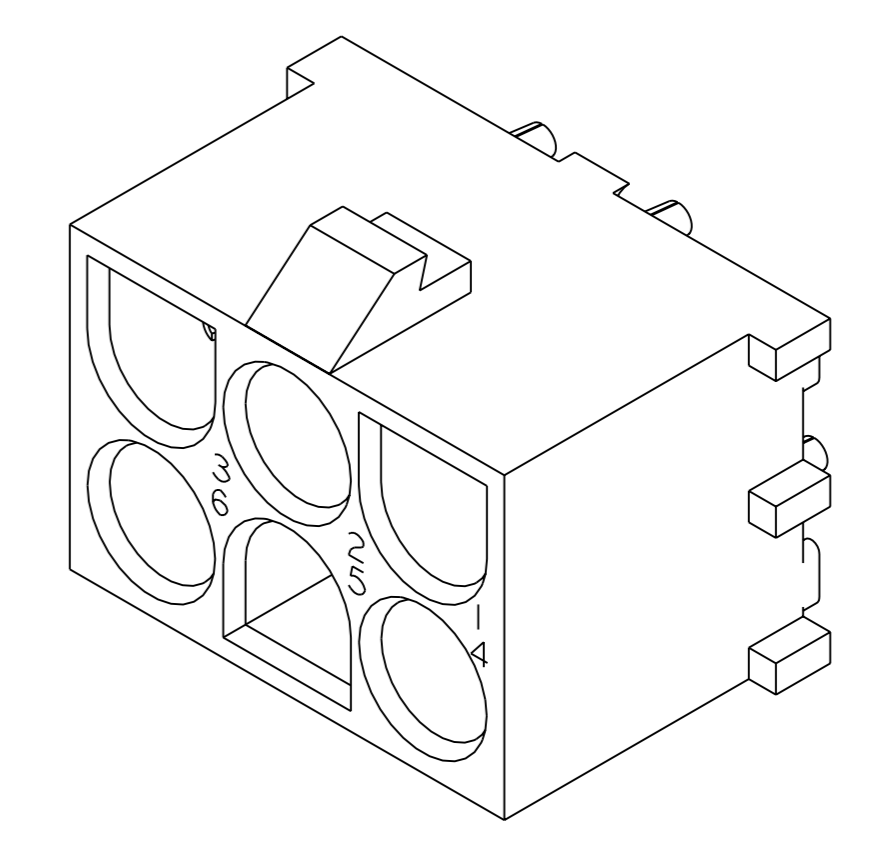
RECOMMENDED MOUNTING HOLE PATTERN FOR 1.57 [.062] THICK P.C. BOARD HOLE THAT CORRESPONDS TO REMOVED CONTACT CAN BE OMITTED



SECTION B-B



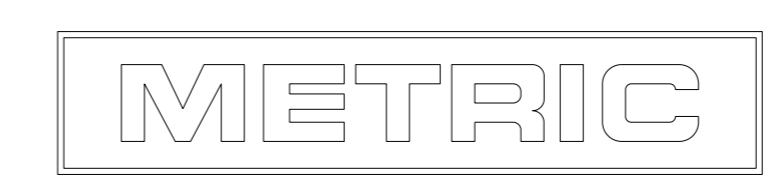
SECTION A-A SCALE 10:1



SCALE 4:1

1586680-1 SHOWN

5	PHOSPOR BRONZE, PRE-TIN	NYLON, UL94V-0, WHITE	1586680-5
1	PHOSPOR BRONZE, PRE-TIN	NYLON, UL94V-0, WHITE	1586680-1
PIN NO OMITTED	PIN CONTACT MATERIAL AND FINISH	HOUSING MATERIAL AND COLOR	PART NUMBER



DIMENSIONS: mm [INCHES]		TOLERANCES UNLESS OTHERWISE SPECIFIED:		DWN: K. WHITAKER 24-NOV-03		Tyco Electronics Harrisburg, PA 17105-3608	
0 PLC	±	0 PLC	±	CHK: S. RIDGILL 24-NOV-03	NAME: PIN HEADER ASSEMBLY, 6 CIRCUIT, STANDARD TAIL, SELECTIVELY LOADED, UNIVERSAL MATE-N-LOK(TM)		RESTRICTED TO
1 PLC	±	1 PLC	±	APVD: S. RIDGILL 24-NOV-03	APPLICATION SPEC		SIZE: A
2 PLC	±0.13(.005)	2 PLC	±	WEIGHT	CUSTOMER DRAWING		SCALE: 5:1
3 PLC	±	3 PLC	±	WEIGHT	CAGE CODE: 00779		SHEET 1 OF 1
4 PLC	±	4 PLC	±	WEIGHT	DRAWING NO: 1586680		REV: A
ANGLES	40° 30'	ANGLES	40° 30'				

X-ON Electronics

Largest Supplier of Electrical and Electronic Components

Click to view similar products for [Pin & Socket Connectors](#) category:

Click to view products by [TE Connectivity](#) manufacturer:

Other Similar products are found below :

[6450822-1](#) [770392-1](#) [794042-1](#) [796885-1](#) [8-794535-1](#) [881459-2](#) [R929993003](#) [1-350779-3](#) [1403611-1](#) [1-480349-5](#) [1586092-1](#) [1586129-1](#)
[1586487-1](#) [1586681-4](#) [1586700-1](#) [1586065-1](#) [1586077-1](#) [1586368-1](#) [1586380-1](#) [1586680-5](#) [1586681-2](#) [1604996-1](#) [16-06-0038](#) [164164-5](#) [1-](#)
[6609930-1](#) [172296-1](#) [1-794714-6](#) [19-09-2035](#) [1969804-1](#) [200503-1](#) [200788-2](#) [201046-7](#) [202648-4](#) [2029076-2](#) [2029090-4](#) [2029095-4](#) [2-](#)
[66102-6](#) [925061-7](#) [926681-1](#) [293734-4](#) [293737-2](#) [1-765362-4](#) [1-794606-3](#) [1871534-1](#) [1969795-1](#) [1969798-1](#) [1969800-1](#) [200833-4](#)
[2008625-2](#) [2029027-2](#)