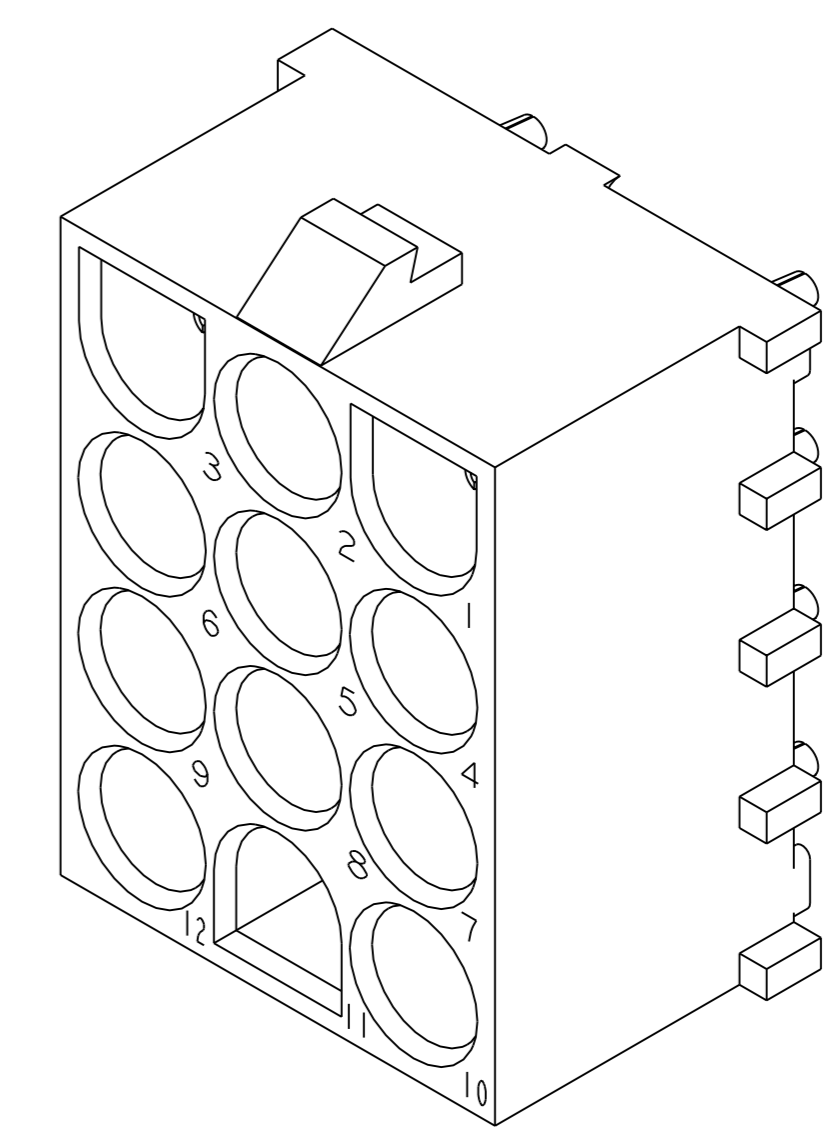
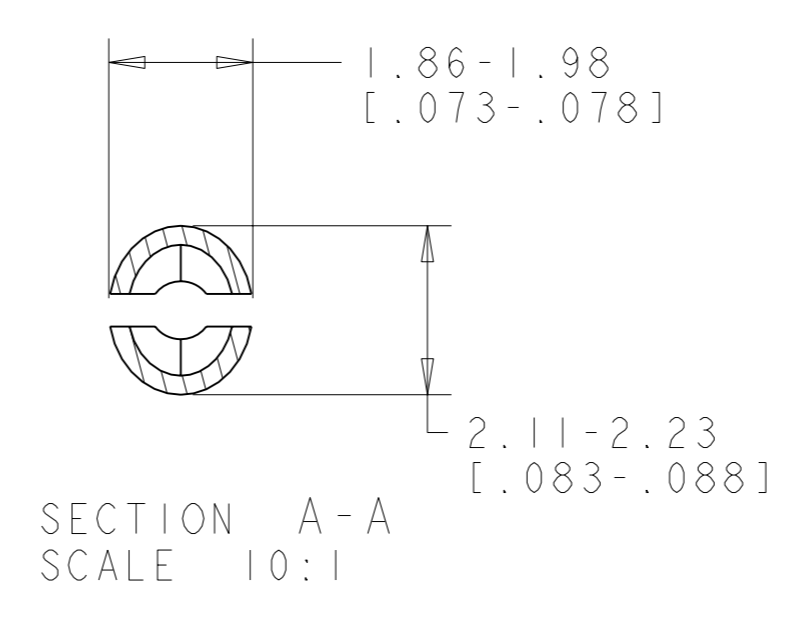
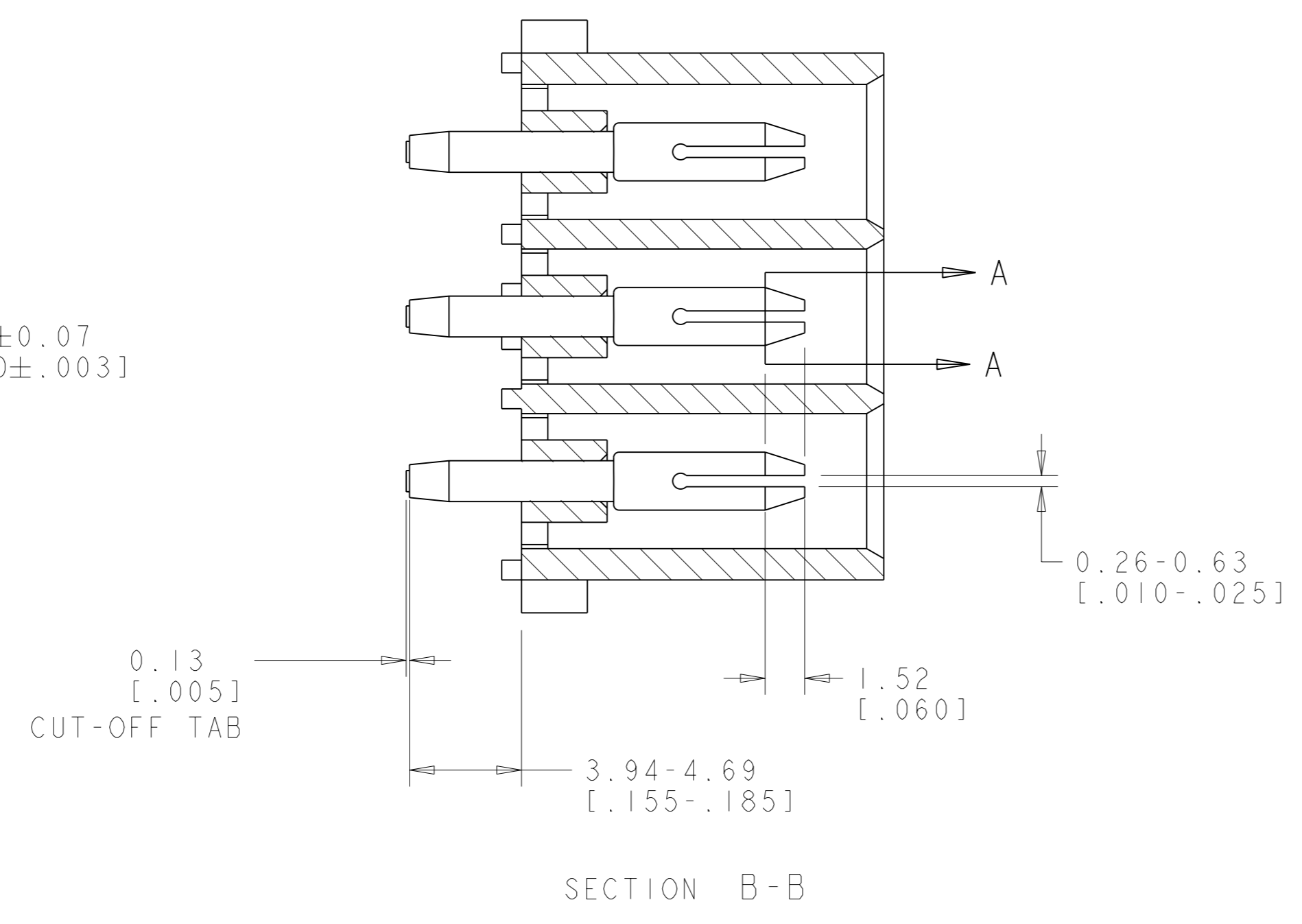
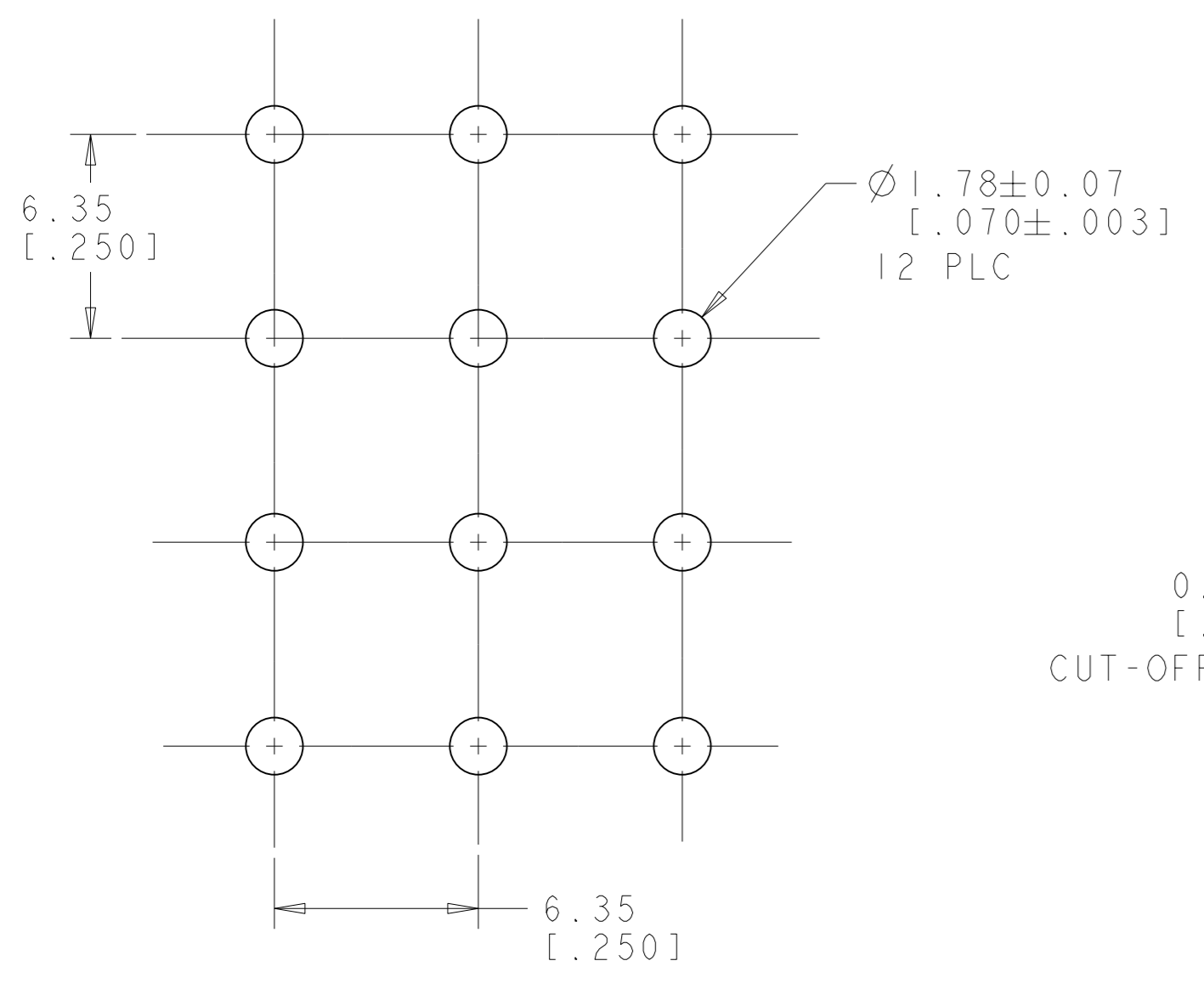
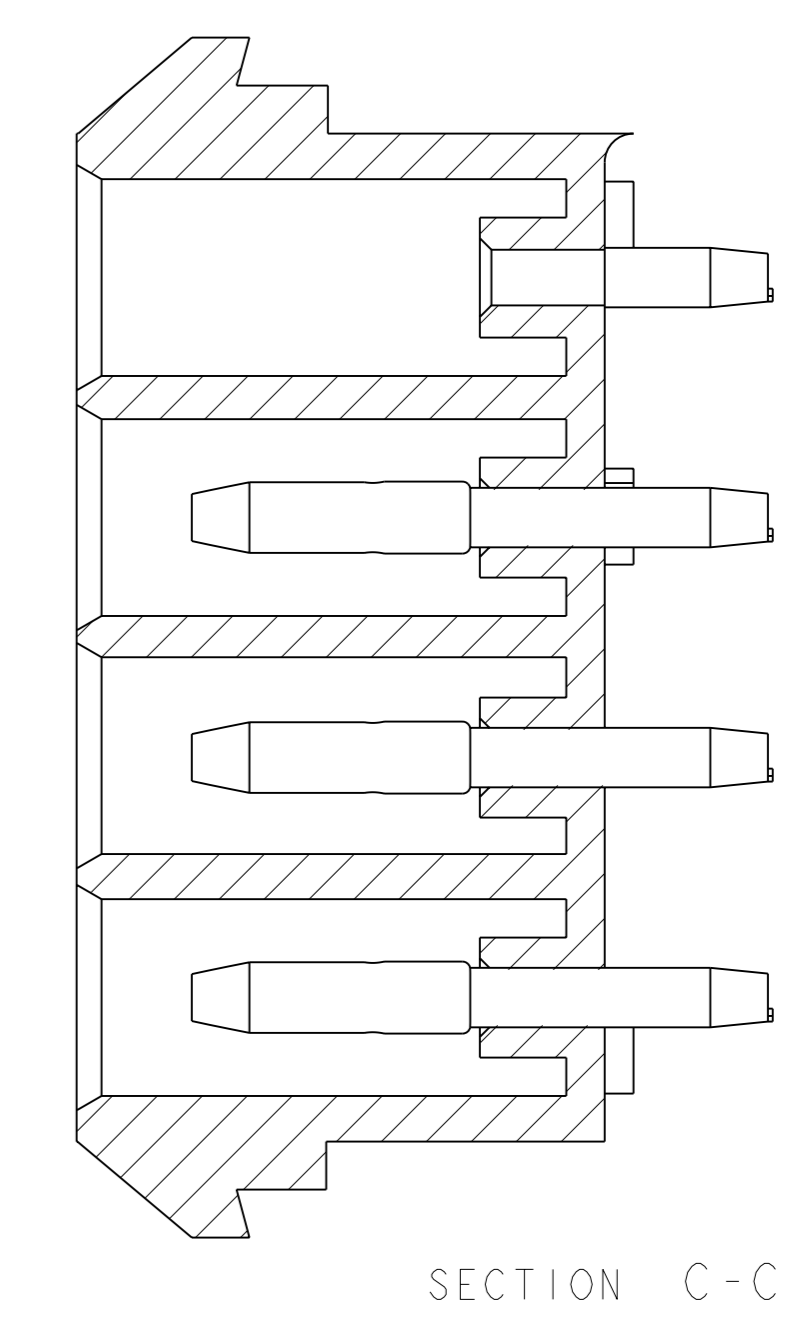
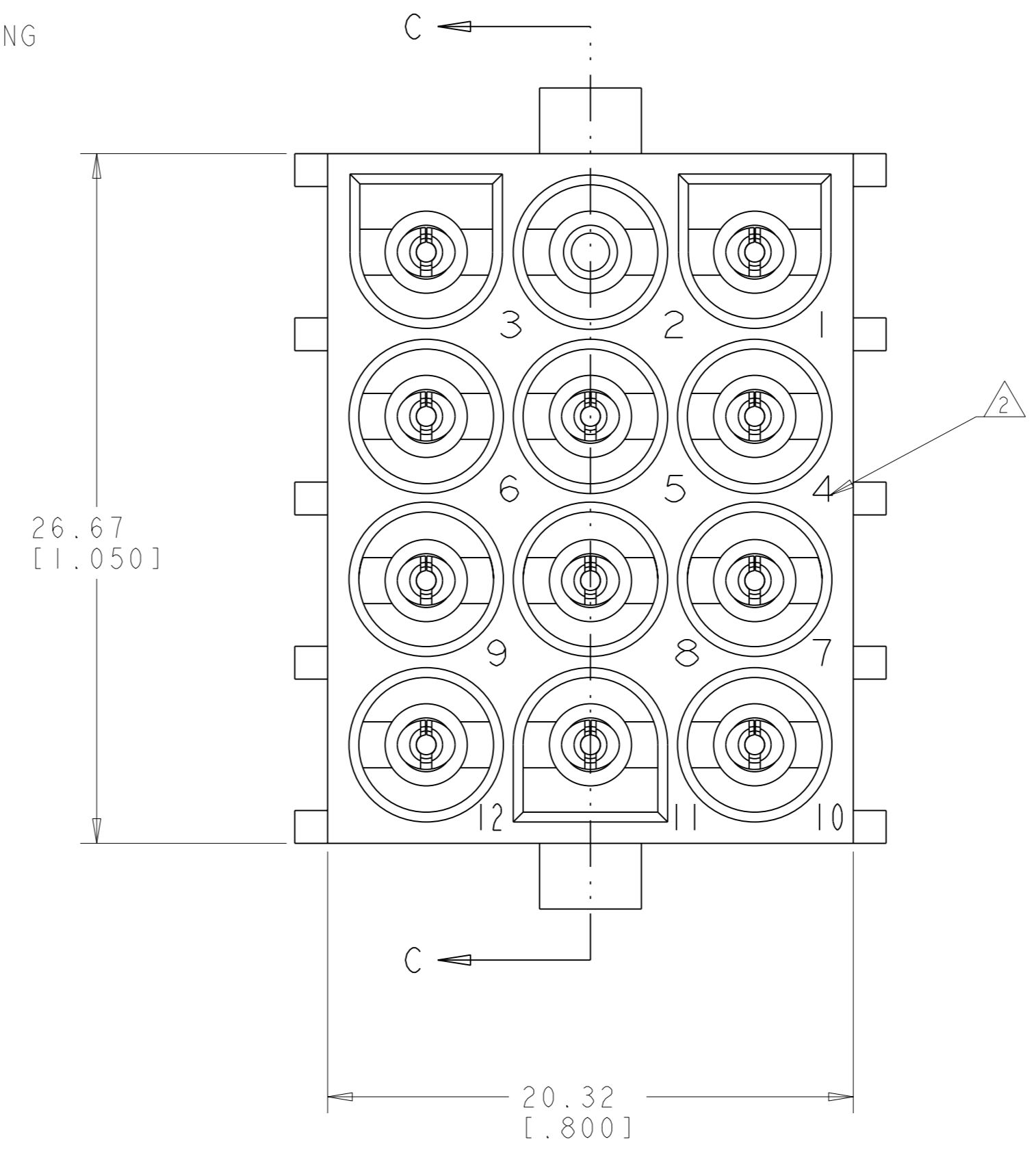
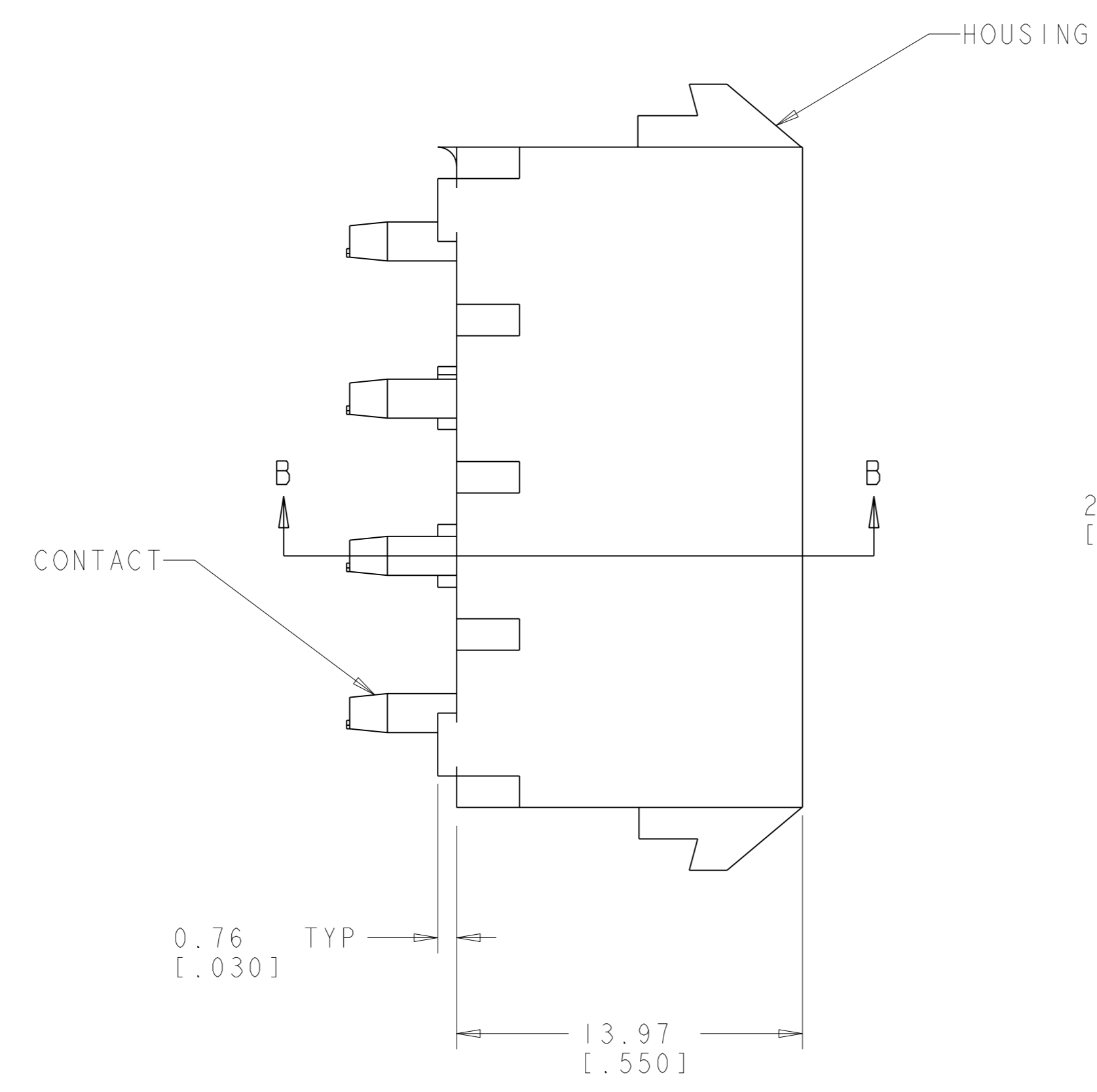
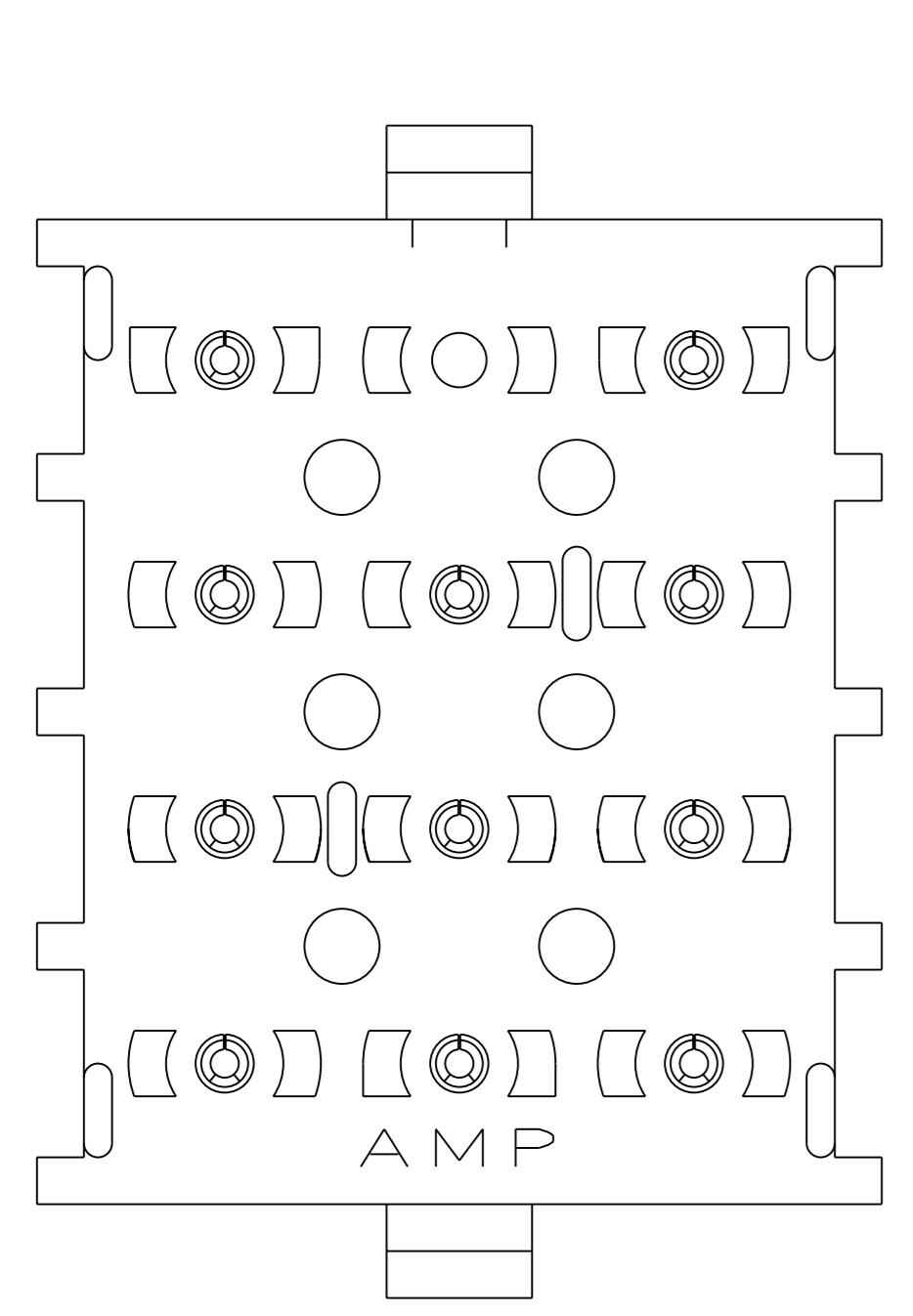


LOC		DIST		REVISIONS			
F	REV	DESCRIPTION	DATE	DWN	APVD		
A		RELEASED PER WR-05-27	04MAY05	KW	SR		

- PARTS COMPLY TO AMP SOLDERABILITY SPECIFICATION 109-11-3.
- CIRCUIT IDENTIFICATION CHARACTERS ARE ADJACENT TO THE INDICATED CAVITIES, BUT LOCATION AND ORIENTATION MAY DIFFER FROM PRINT.
- DIMENSIONS IN BRACKETS ARE IN INCHES.



1586681-2 SHOWN

PIN NO OMITTED	PIN CONTACT MATERIAL AND FINISH	HOUSING MATERIAL AND COLOR	PART NUMBER
12	PHOSPOR BRONZE, PRE-TIN	NYLON, UL94V-0, WHITE	1-1586681-2
8	PHOSPOR BRONZE, PRE-TIN	NYLON, UL94V-0, WHITE	1586681-8
4	PHOSPOR BRONZE, PRE-TIN	NYLON, UL94V-0, WHITE	1586681-4
2	PHOSPOR BRONZE, PRE-TIN	NYLON, UL94V-0, WHITE	1586681-2

RECOMMENDED MOUNTING HOLE PATTERN FOR 1.57 [.062] THICK P.C. BOARD HOLE THAT CORRESPONDS TO REMOVED CONTACT CAN BE OMITTED

METRIC

DIMENSIONS: mm [INCHES]		TOLERANCES UNLESS OTHERWISE SPECIFIED: 0 PLC ± 1 PLC ± 2 PLC ±0.13(.005) 3 PLC ± 4 PLC ± ANGLES ±40°30'		DWN: K. WHITAKER 04MAY2005 CHK: S. RIDGILL 04MAY2005 APVD: S. RIDGILL 04MAY2005 NAME: PIN HEADER ASSEMBLY, 12 CIRCUIT, SELECTIVELY LOADED, UNIVERSAL MATE-N-LOK(TM) APPLICATION SPEC:		Tyco Electronics Harrisburg, PA 17105-3608	
MATERIAL: SEE TABLE		FINISH: SEE TABLE		SIZE: A CAGE CODE: 00779 DRAWING NO: 1586681		RESTRICTED TO: - SCALE: 5:1 SHEET: 1 OF 1 REV: A	

X-ON Electronics

Largest Supplier of Electrical and Electronic Components

Click to view similar products for [Pin & Socket Connectors](#) category:

Click to view products by [TE Connectivity](#) manufacturer:

Other Similar products are found below :

[6450822-1](#) [770392-1](#) [794042-1](#) [796885-1](#) [8-794535-1](#) [PLR3455ACS-222](#) [R929991004](#) [R929993003](#) [1403611-1](#) [1-480349-5](#) [152302-5](#)
[153211-2](#) [1586092-1](#) [1586129-1](#) [1586681-4](#) [1586700-1](#) [1586368-1](#) [1586380-1](#) [1586616-1](#) [1586680-5](#) [16-06-0038](#) [164164-5](#) [1-6609930-1](#)
[172296-1](#) [19-09-2035](#) [200503-1](#) [200788-2](#) [2029090-4](#) [2029095-4](#) [925061-7](#) [293734-4](#) [293737-2](#) [1-765362-4](#) [1871534-1](#) [200833-4](#)
[2008625-2](#) [2029027-2](#) [2029096-4](#) [R929991000](#) [R929991002](#) [R929993000](#) [319-10-101-00-005000](#) [319-10-102-00-001000](#) [319-10-104-00-001000](#) [319-10-105-00-001000](#) [319-10-108-00-001000](#) [319-10-112-00-006000](#) [39-01-8019](#) [319-10-101-00-001000](#) [319-10-102-00-005000](#)