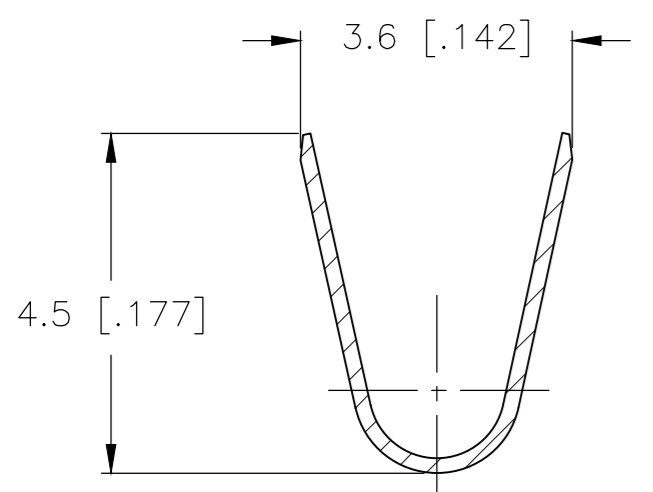
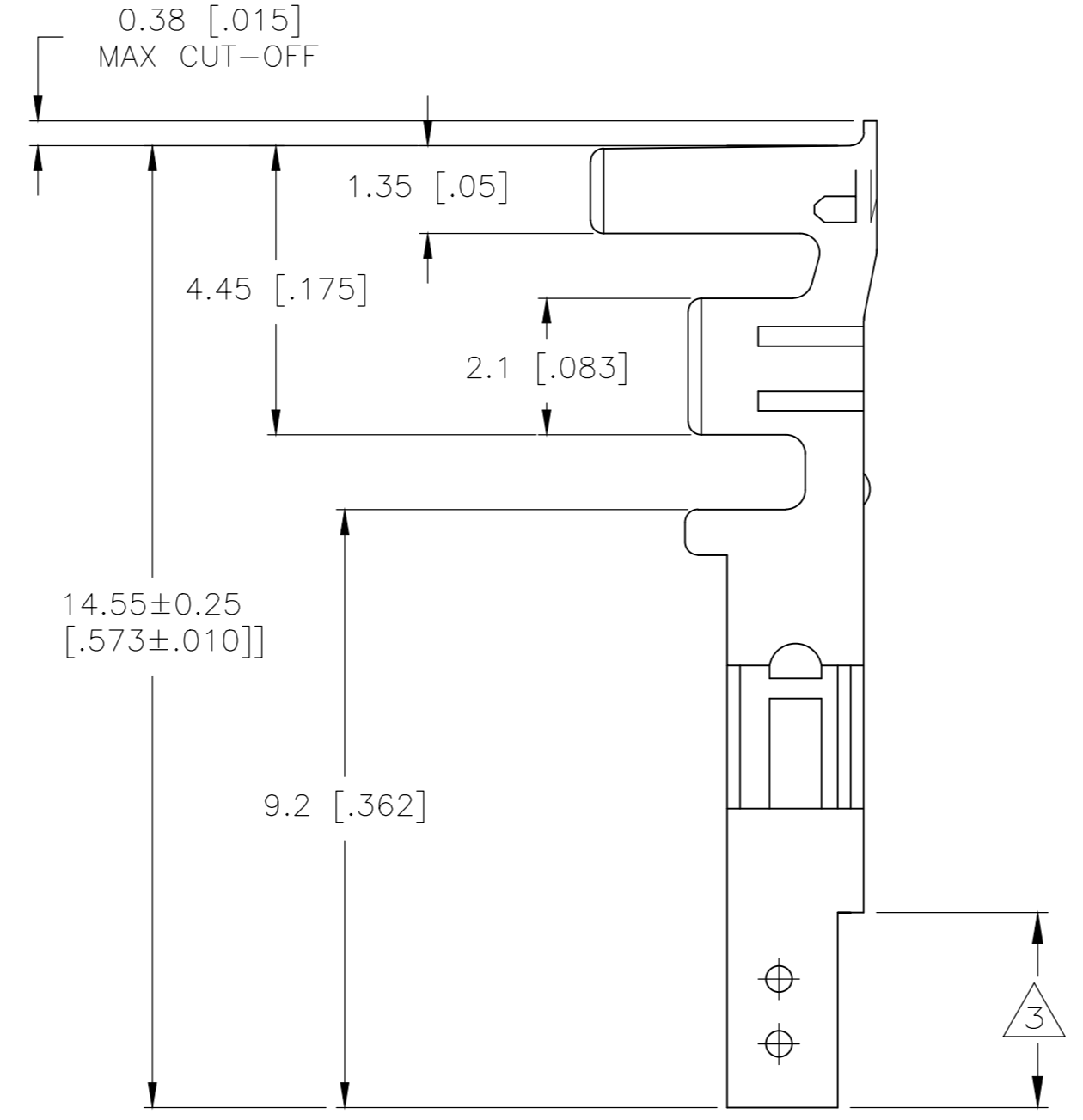
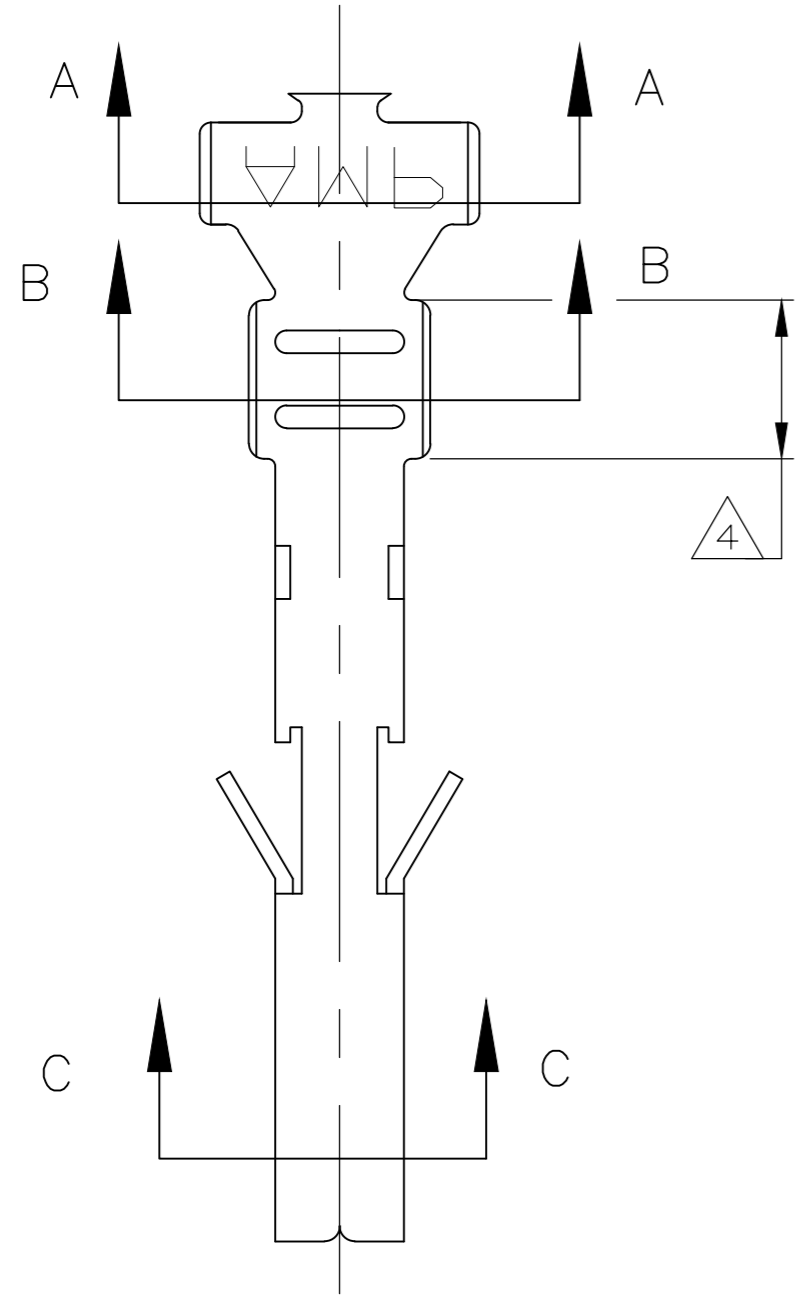


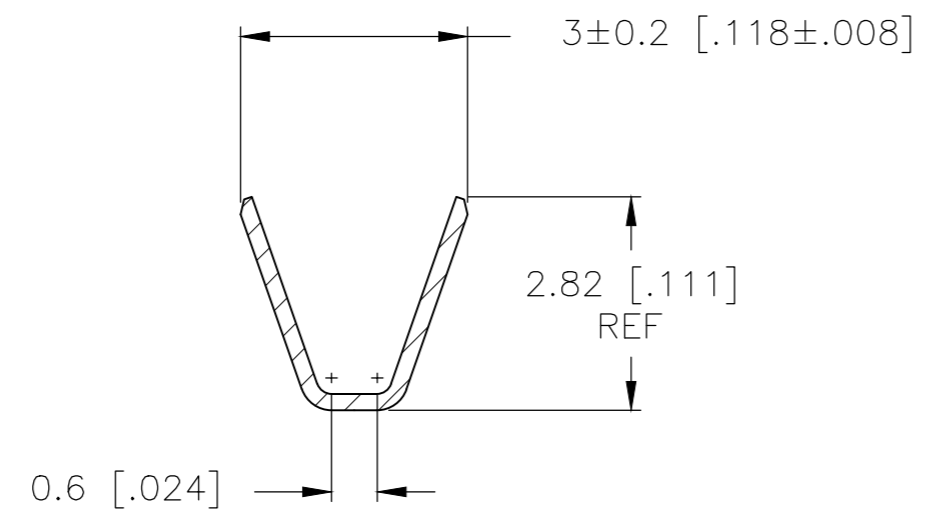
THIS DRAWING IS UNPUBLISHED. RELEASED FOR PUBLICATION  
 © COPYRIGHT - By - ALL RIGHTS RESERVED.

REVISIONS					
P	LTR	DESCRIPTION	DATE	DWN	APVD
B3		REVISED PER ECR-17-017263	23NOV2017	JZ	DZ

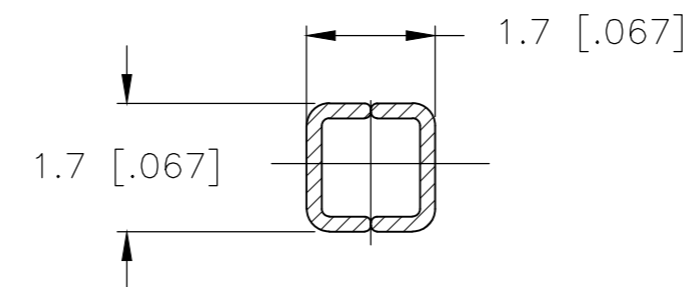
- 1 WIRE RANGE: 1.31mm<sup>2</sup> (16 AWG).
- 2 INSULATION RANGE: DIA 1.80-3.10 mm [.071-.122 in]
- 3 FINISH: 0.76µm MINIMUM GOLD OVER 1.27µm MINIMUM NICKEL REQUIRED ON INNER SURFACE, PERMITTED ON OUTER SURFACE.
- 4 FINISH: 2.54µm MINIMUM TIN ON ALL SURFACES IN THIS AREA.



SECTION A-A



SECTION B-B



SECTION C-C

GOLD 3 4	PHOS. BRZ.	1586841-4
PRE-TIN	PHOS. BRZ.	1586841-3
GOLD 3 4	BRASS	1586841-2
PRE-TIN	BRASS	1586841-1
FINISH:	MATERIAL:	PART NO.

THIS DRAWING IS A CONTROLLED DOCUMENT.		DWN K. WHITAKER 04APR2007	TE Connectivity	
DIMENSIONS: mm [INCHES]		CHK C. CASH 04APR2007		
TOLERANCES UNLESS OTHERWISE SPECIFIED:		APVD C. CASH 04APR2007	NAME TERMINAL VAL-U-LOK(TM) SOCKET (LOOSE PIECE)	
0 PLC ±		PRODUCT SPEC	SIZE A2	
1 PLC ± 0.2 [.01]		APPLICATION SPEC	CAGE CODE 00779	
2 PLC ± 0.13 [.005]		WEIGHT	DRAWING NO C=1586841	
3 PLC ± 0.254 [.0100]		CUSTOMER DRAWING	RESTRICTED TO -	
4 PLC ±		SCALE 10:1	SHEET 1 of 1	
FINISH SEE TABLE		REV B3		

## X-ON Electronics

Largest Supplier of Electrical and Electronic Components

*Click to view similar products for [Headers & Wire Housings](#) category:*

*Click to view products by [TE Connectivity](#) manufacturer:*

Other Similar products are found below :

[892-18-020-10-001101](#) [58102-G61-06LF](#) [582553-1](#) [0009485154](#) [009176003701906](#) [0050291907](#) [LY20-4P-DT1-P1E-BR](#) [02.125.8002.8](#)  
[609-3404](#) [61062-3](#) [61082-181009](#) [622-3653LF](#) [63453-116](#) [636-1030](#) [636-1427](#) [636-3427](#) [636-4007](#) [641938-9](#) [641991-4](#) [644827-2](#) [65817-](#)  
[010LF](#) [65817-015LF](#) [65863-015LF](#) [66207-023LF](#) [67095-007LF](#) [67601157](#) [68645-018](#) [68648-049](#) [70.362.1628.0](#) [70-4210](#) [70-4226B](#) [70-](#)  
[4853B](#) [707-5020](#) [707-5028](#) [71.350.2428.0](#) [71918-208LF](#) [71961-016LF](#) [733-134](#) [733-162](#) [754199-000](#) [760-3052](#) [787-8014-00](#) [79531-3000](#)  
[FCN-360C032-B](#) [FCN-367T-T012/H](#) [FCN-723D010/2](#) [80.063.4001.1](#) [800-90-001-10-001000](#) [800-90-010-10-002000](#) [801-43-002-10-013000](#)