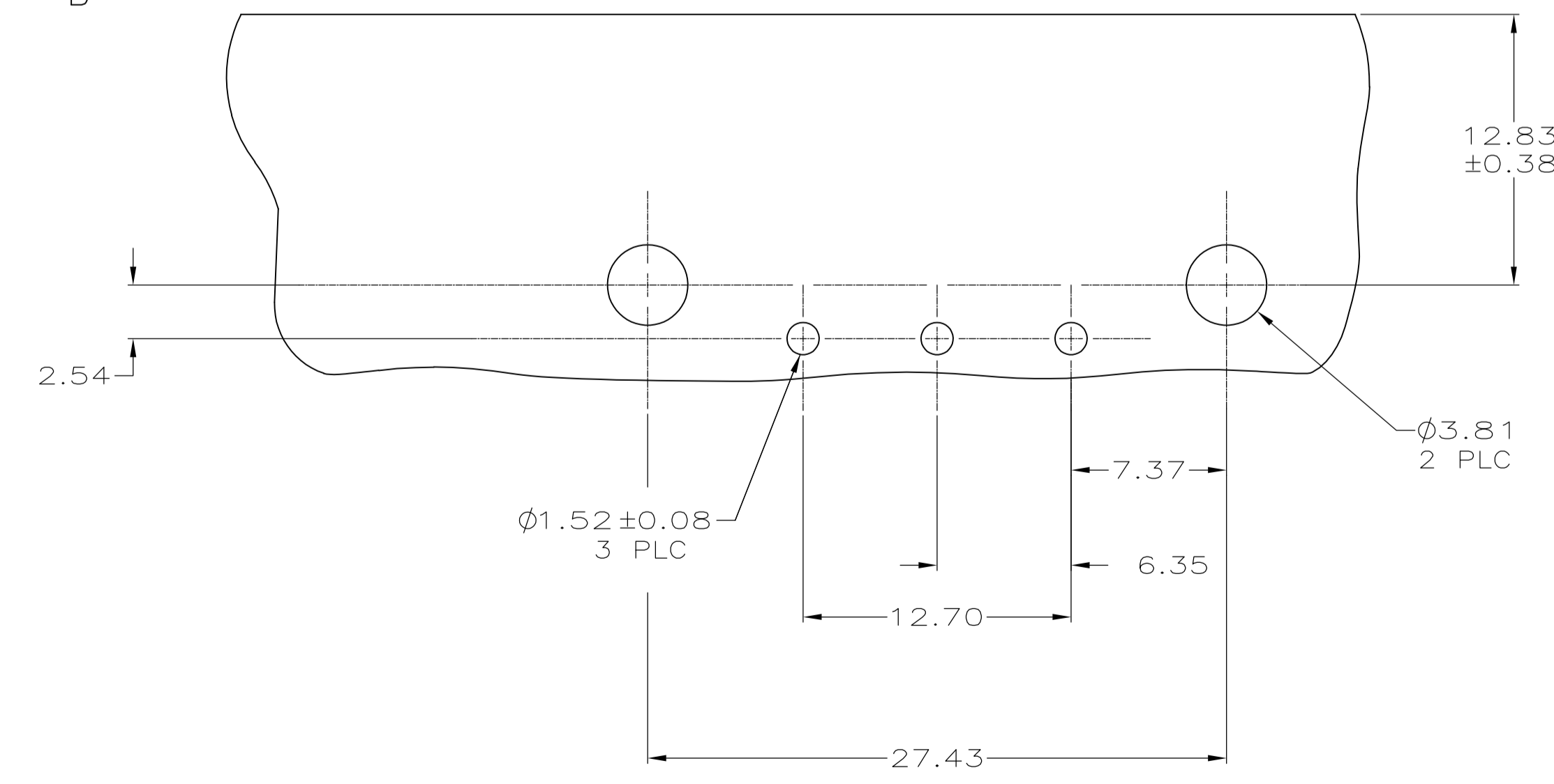
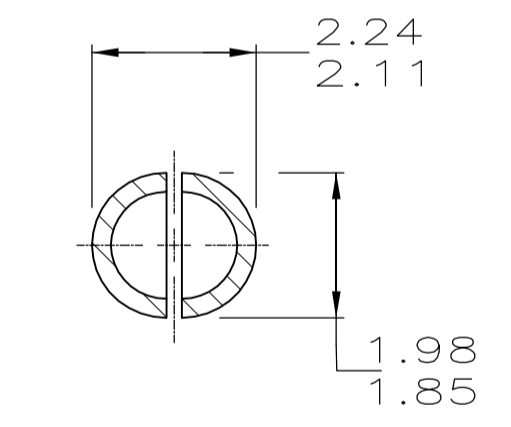
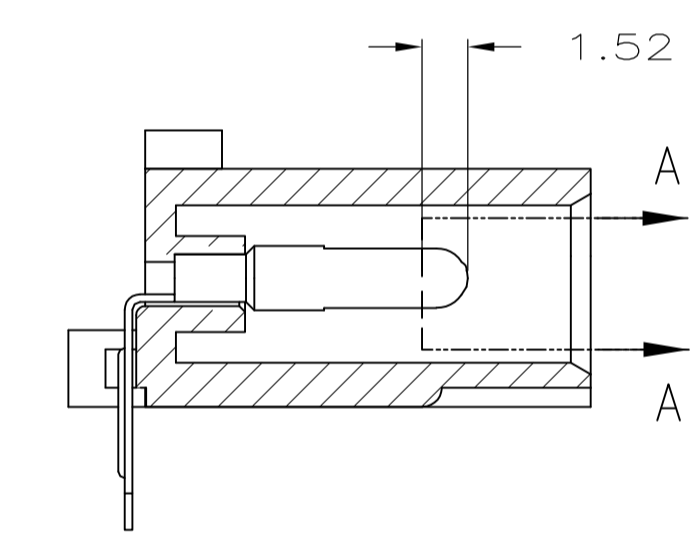
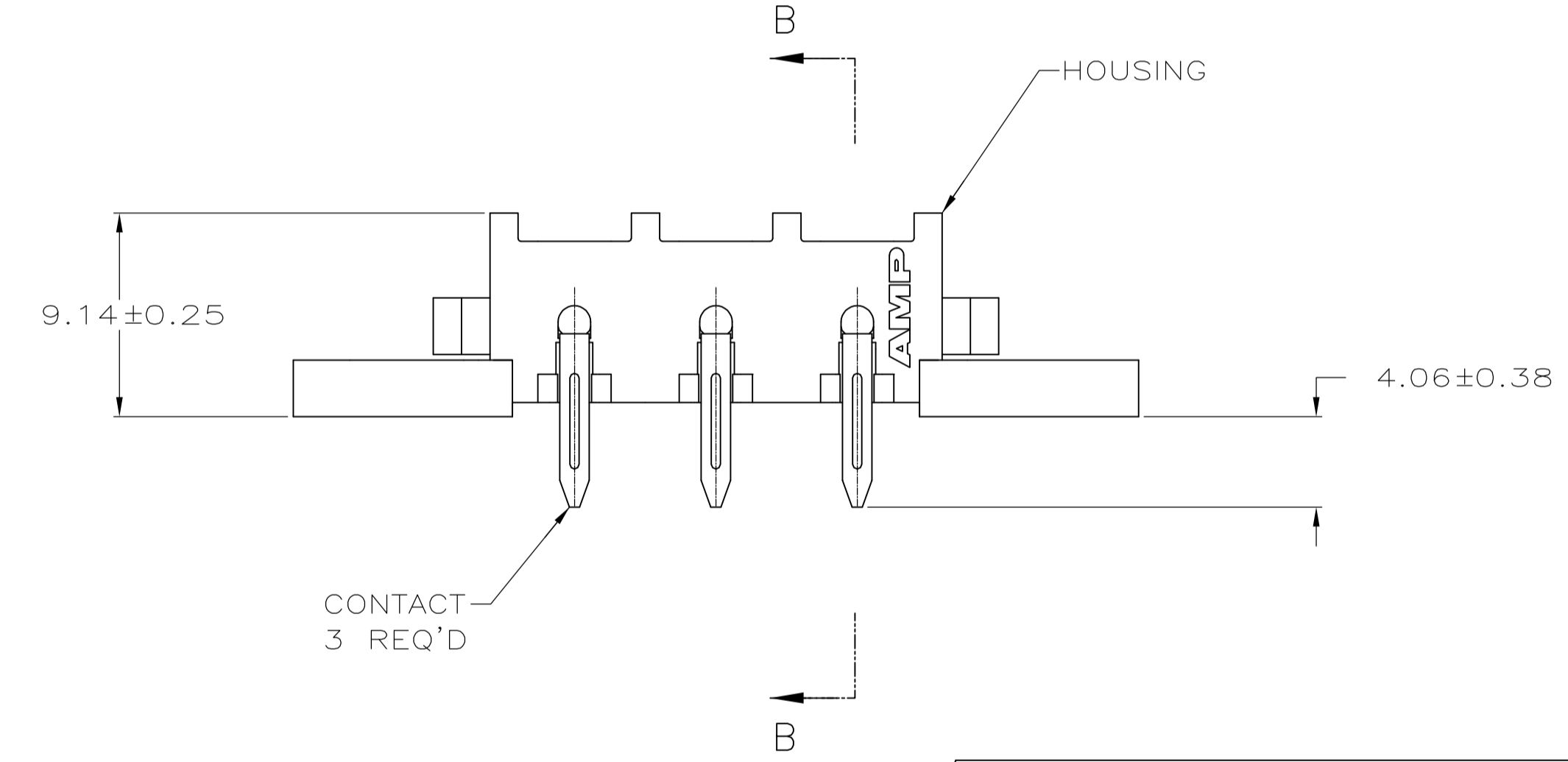
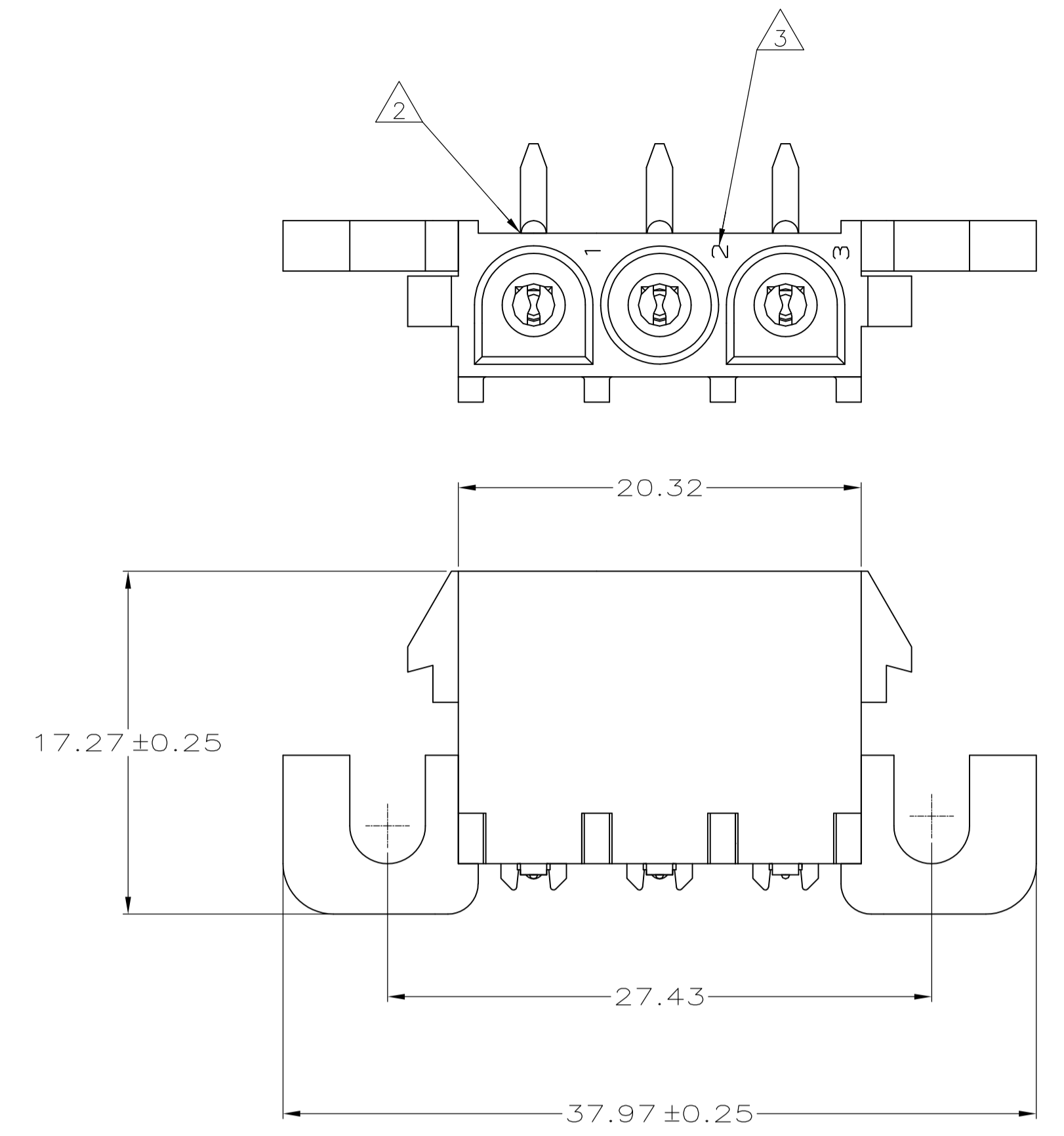


LOC	DIST	REVISIONS				
CM	00	REV	DESCRIPTION	DATE	BY	APPV
		B2	REVISED PER ECR 13-014759	24SEP2013	KB	RP
		B3	REVISED PER ECR-14-004108	19MAR2014	AV	RP
		B4	REVISED PER ECR-14-014878	19NOV2014	AV	ZD



RECOMMENDED MOUNTING HOLE PATTERN FOR 1.57 THICK P.C. BOARD

- 1 PARTS COMPLY WITH TE SOLDERABILITY SPECIFICATION 109-11-5.
- 2 OPTIONAL CONSTRUCTION MAY DELETE THIS RIB.
- 3 CIRCUIT IDENTIFICATION CHARACTERS ARE ADJACENT TO THE INDICATED CAVITIES, BUT LOCATION AND ORIENTATION MAY DIFFER FROM PRINT.
- 4 FLAMMABILITY V2 FOR THICKNESS 0.38mm, 1.5mm, and 3.0mm PER IEC 60695-11-10.
- 5 GLOW-WIRE FLAMMABILITY (GWF1) 800°C FOR THICKNESS 0.38mm AND 0.75mm PER IEC 60695-2-12.
- 6 GLOW-WIRE FLAMMABILITY (GWF1) 960°C FOR THICKNESS 1.5mm AND 3.0mm PER IEC 60695-2-12.
- 7 GLOW-WIRE IGNITION (GWIT) 825°C FOR THICKNESS 0.38mm, 0.75mm, 1.5mm AND 3.0mm PER IEC 60695-2-13.
- 8 MATERIAL CORRESPONDING TO THE REQUIREMENT OF IEC 60335. (INL GLOW WIRE TEST 750°C WITHOUT FLAME)

MM	IN	MM	IN
2.29	.090	37.97	1.495
2.24	.088	27.43	1.080
2.11	.083	20.32	.800
1.98	.078	17.27	.680
1.85	.073	12.83	.505
1.57	.062	12.70	.500
1.52	.060	9.14	.360
0.38	.015	7.37	.290
0.25	.010	6.35	.250
0.13	.005	4.57	.180
0.08	.003	4.06	.160
.00127	.000050	3.81	.150
.00076	.000030	2.54	.100
MM	IN	MM	IN

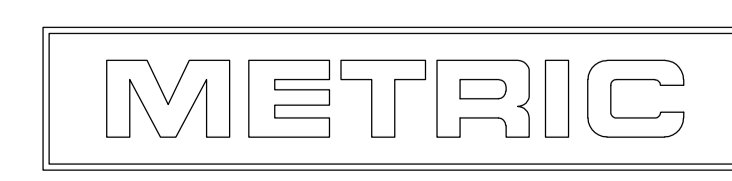
CONVERSION TABLE

PH BRZ PRE-TIN	NYLON 66 UL 94V-0	1586892-3
PH BRZ PRE-TIN	NYLON UL 94V-2	1586892-1
CONTACT	HOUSING	PART NUMBER

THIS DRAWING IS A CONTROLLED DOCUMENT.

DIMENSIONS: mm	TOLERANCES UNLESS OTHERWISE SPECIFIED:	DIN K. WHITAKER 09AUG2007	STE TE Connectivity
0 PLC ± -	1 PLC ± -	CHK D. COLEY 09AUG2007	NAME
2 PLC ± 0.13	3 PLC ± -	APPV D. COLEY 09AUG2007	PRODUCT SPEC
4 PLC ± -	ANGLES ± -		108-1053
			APPLICATION SPEC
			114-1010
MATERIAL SEE TABLE	FINISH SEE TABLE	WEIGHT -	SIZE CASE CODE DRAWING NO
			A1 00779
			RESTRICTED TO
			1586892
			CUSTOMER DRAWING

SCALE 4:1 SHEET 1 OF 1 REV B4



X-ON Electronics

Largest Supplier of Electrical and Electronic Components

Click to view similar products for [Pin & Socket Connectors](#) category:

Click to view products by [TE Connectivity](#) manufacturer:

Other Similar products are found below :

[6450822-1](#) [770392-1](#) [794042-1](#) [796885-1](#) [8-794535-1](#) [PLR3455ACS-222](#) [R929991004](#) [R929993003](#) [1403611-1](#) [1-480349-5](#) [152302-5](#)
[153211-2](#) [1586092-1](#) [1586129-1](#) [1586681-4](#) [1586700-1](#) [1586368-1](#) [1586380-1](#) [1586616-1](#) [1586680-5](#) [16-06-0038](#) [164164-5](#) [1-6609930-1](#)
[172296-1](#) [19-09-2035](#) [200503-1](#) [200788-2](#) [2029090-4](#) [2029095-4](#) [925061-7](#) [293734-4](#) [293737-2](#) [1-765362-4](#) [1871534-1](#) [200833-4](#)
[2008625-2](#) [2029027-2](#) [2029096-4](#) [R929991000](#) [R929991002](#) [R929993000](#) [319-10-101-00-005000](#) [319-10-102-00-001000](#) [319-10-104-00-001000](#) [319-10-105-00-001000](#) [319-10-108-00-001000](#) [319-10-112-00-006000](#) [39-01-8019](#) [319-10-101-00-001000](#) [319-10-102-00-005000](#)