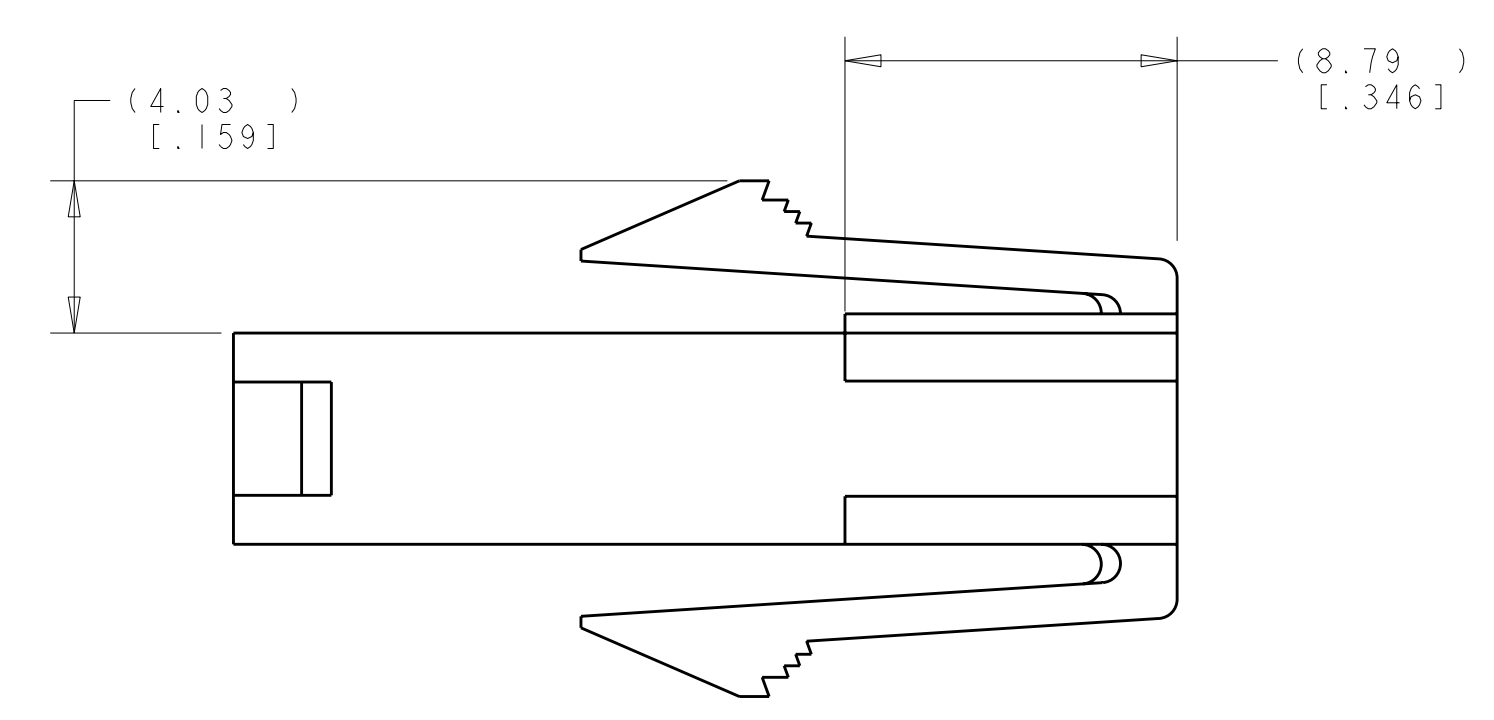
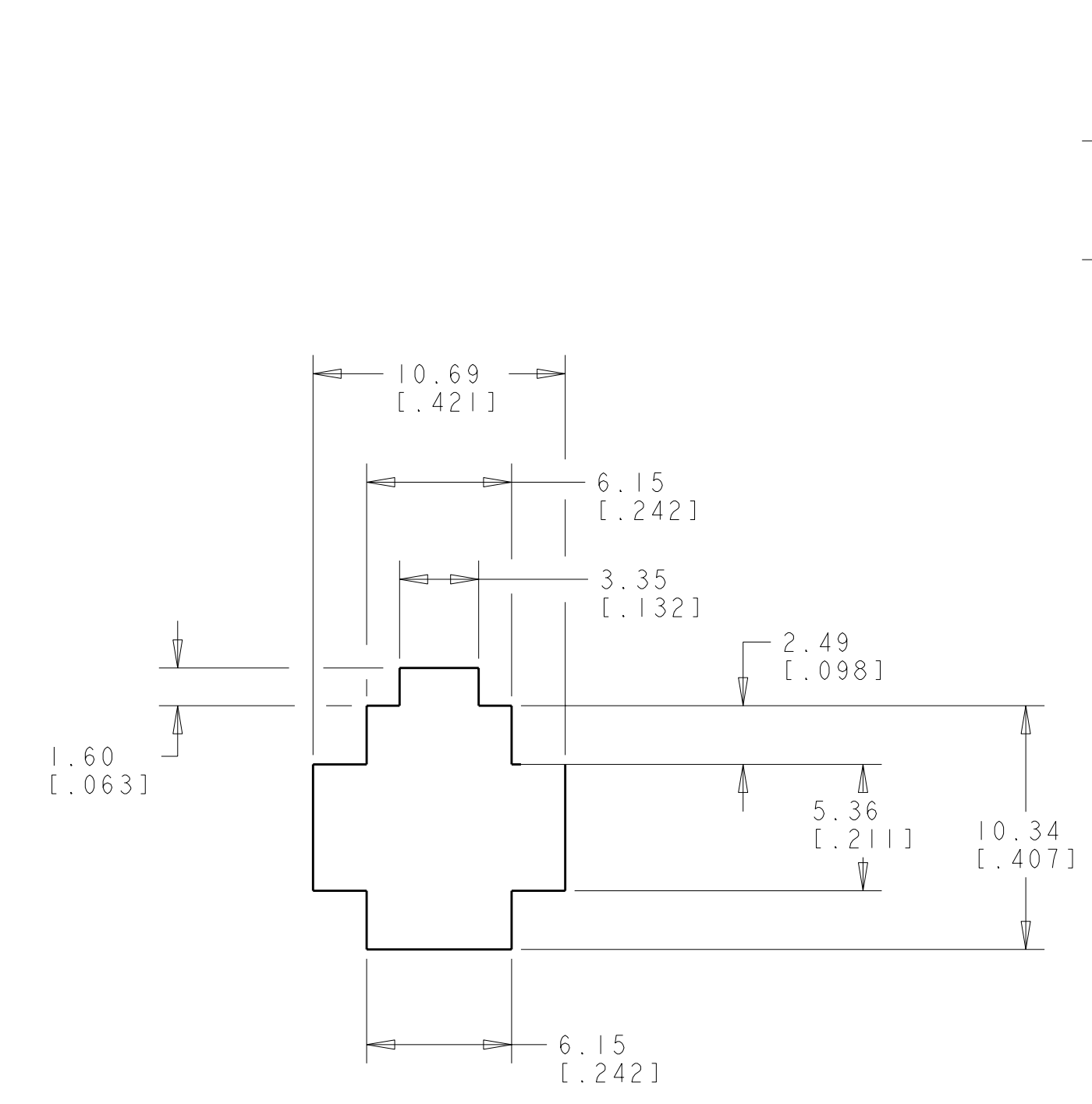
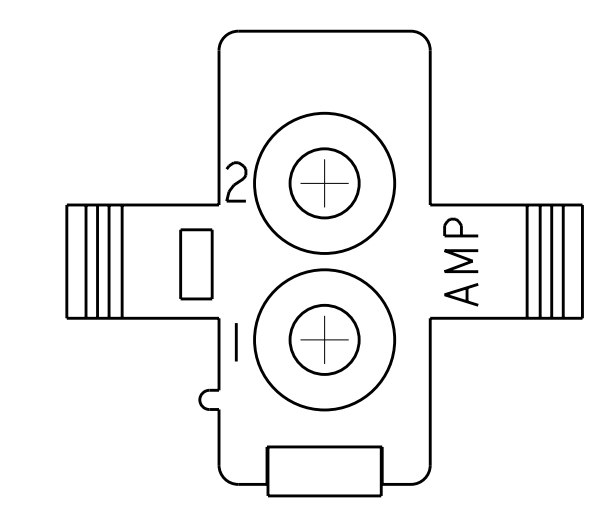
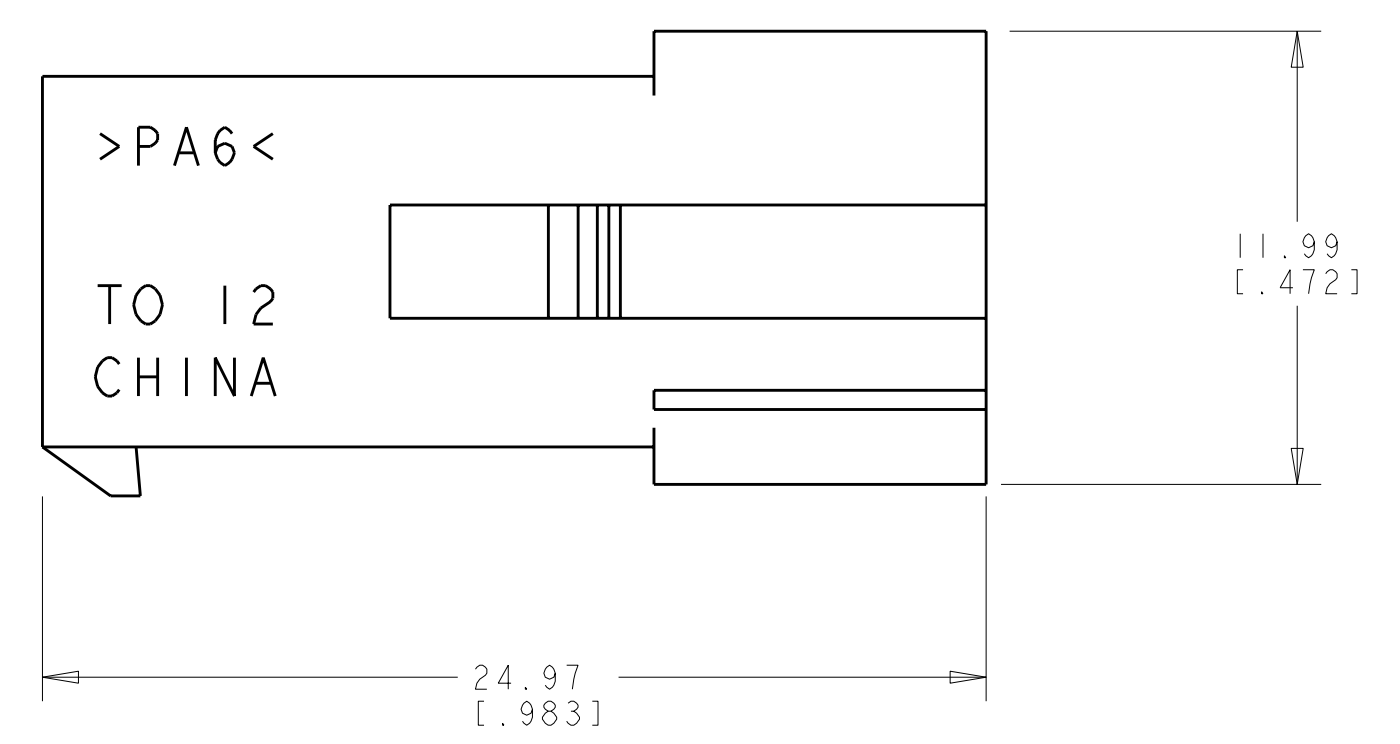
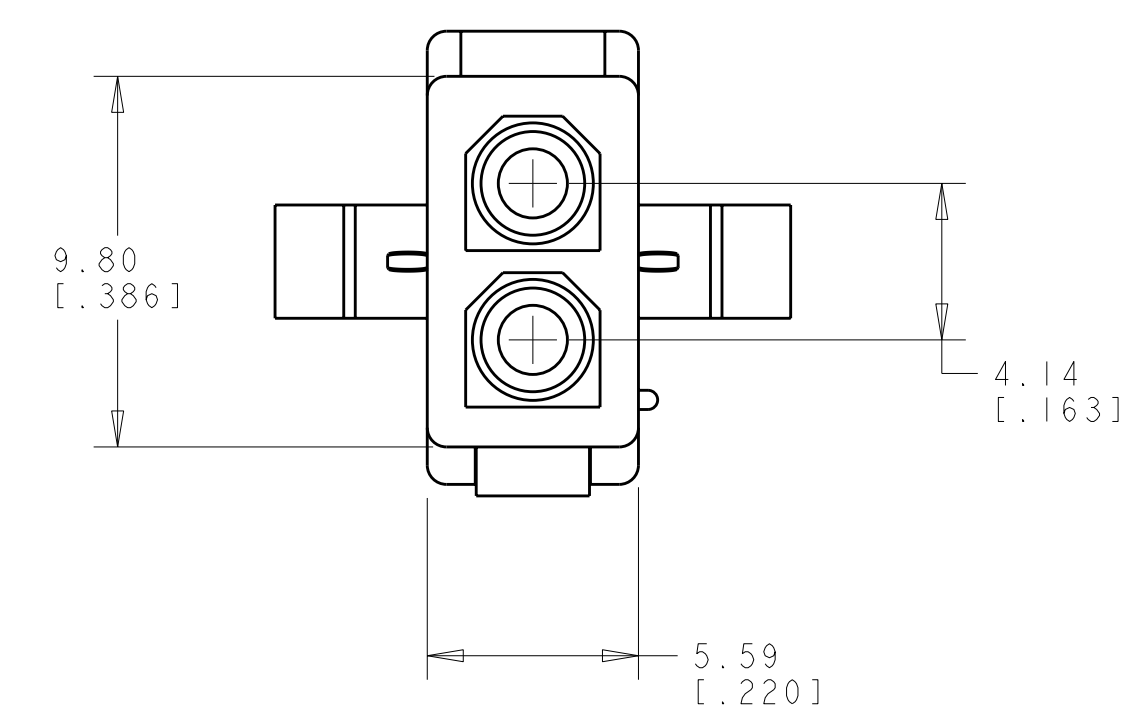


LOC	DIST	REVISIONS			
CM	00	REV	DATE	DWN	APVD
		B	REV PER ECR 10-018921	16SEP10	JR TM

1. NOTE DELETED.
2. NOTE DELETED.
3. RECOMMENDED PANEL THICKNESS TO BE 0.8-2.0 [ .031-.079].
4. HOUSING INSERTION INTO THE PANEL CUT OUT MUST BE IN THE SAME DIRECTION AS THE PUNCH.
5. FLAMMABILITY V-2 FOR THICKNESS 0.38mm, 0.75mm, 1.5mm AND 3.0mm PER IEC 60695-11-10.
6. GLOW-WIRE FLAMMABILITY (GWF1) 800°C FOR THICKNESS 0.38mm AND 0.75mm PER IEC 60695-2-12.
7. GLOW-WIRE FLAMMABILITY (GWF1) 960°C FOR THICKNESS 1.5mm AND 3.0mm PER IEC 60695-2-12.
8. GLOW-WIRE IGNITION (GWIT) 825°C FOR THICKNESS 0.38mm 0.75mm, 1.5mm, AND 3.0mm PER IEC 60695-2-13.



RECOMMENDED PANEL CUT OUT  
 SCALE 4:1

0.065 IN <sup>3</sup>	1586945-1
VOLUME	PART NUMBER

<small>THIS DRAWING IS UNPUBLISHED. RELEASED FOR PUBLICATION 20. © COPYRIGHT 20 BY TYCO ELECTRONICS CORPORATION, ALL RIGHTS RESERVED.</small>		DWN: R. WHITAKER 04DEC2007 CHK: C. JONES 04DEC2007 APVD: C. JONES 04DEC2007	Tyco Electronics Harrisburg, PA 17105-3608
DIMENSIONS: mm [ INCHES ]	TOLERANCES UNLESS OTHERWISE SPECIFIED: 9 PLC ± 1 PLC ± 3 PLC ±0.13 [ 0.015 ] 4 PLC ±.005 ANGLES ±° 30'	NAME: CAP. PRODUCT SPEC: 2 CIRCUIT, SEALED APPLICATION, MINI UNIVERSAL MATE-N-LOK(TM) APPLICATION SPEC:	SIZE: A CAGE CODE: 00779 DRAWING NO: C=1586945 RESTRICTED TO:
MATERIAL: NYLON UL 94V-2 NATURAL FINISH:	WEIGHT:	CUSTOMER DRAWING	SCALE: 5:1 SHEET: 1 OF 1 REV: B



## X-ON Electronics

Largest Supplier of Electrical and Electronic Components

*Click to view similar products for [Pin & Socket Connectors](#) category:*

*Click to view products by [TE Connectivity](#) manufacturer:*

Other Similar products are found below :

[6450822-1](#) [770392-1](#) [794042-1](#) [796885-1](#) [8-794535-1](#) [PLR3455ACS-222](#) [R929991004](#) [R929993003](#) [1403611-1](#) [1-480349-5](#) [152302-5](#)  
[153211-2](#) [1586092-1](#) [1586129-1](#) [1586681-4](#) [1586700-1](#) [1586368-1](#) [1586380-1](#) [1586616-1](#) [1586680-5](#) [16-06-0038](#) [164164-5](#) [1-6609930-1](#)  
[172296-1](#) [19-09-2035](#) [200503-1](#) [200788-2](#) [2029090-4](#) [2029095-4](#) [925061-7](#) [293734-4](#) [293737-2](#) [1-765362-4](#) [1871534-1](#) [200833-4](#)  
[2008625-2](#) [2029027-2](#) [2029096-4](#) [R929991000](#) [R929991002](#) [R929993000](#) [319-10-101-00-005000](#) [319-10-102-00-001000](#) [319-10-104-00-001000](#) [319-10-105-00-001000](#) [319-10-108-00-001000](#) [319-10-112-00-006000](#) [39-01-8019](#) [319-10-101-00-001000](#) [319-10-102-00-005000](#)