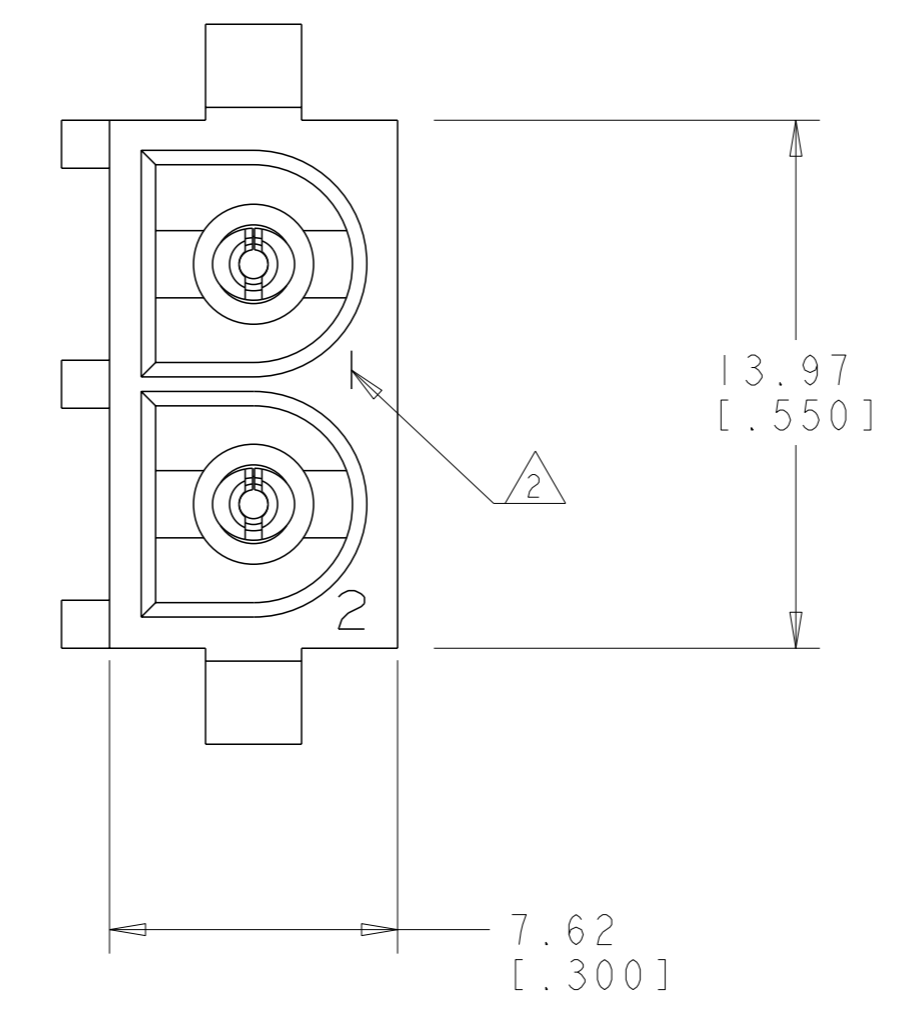
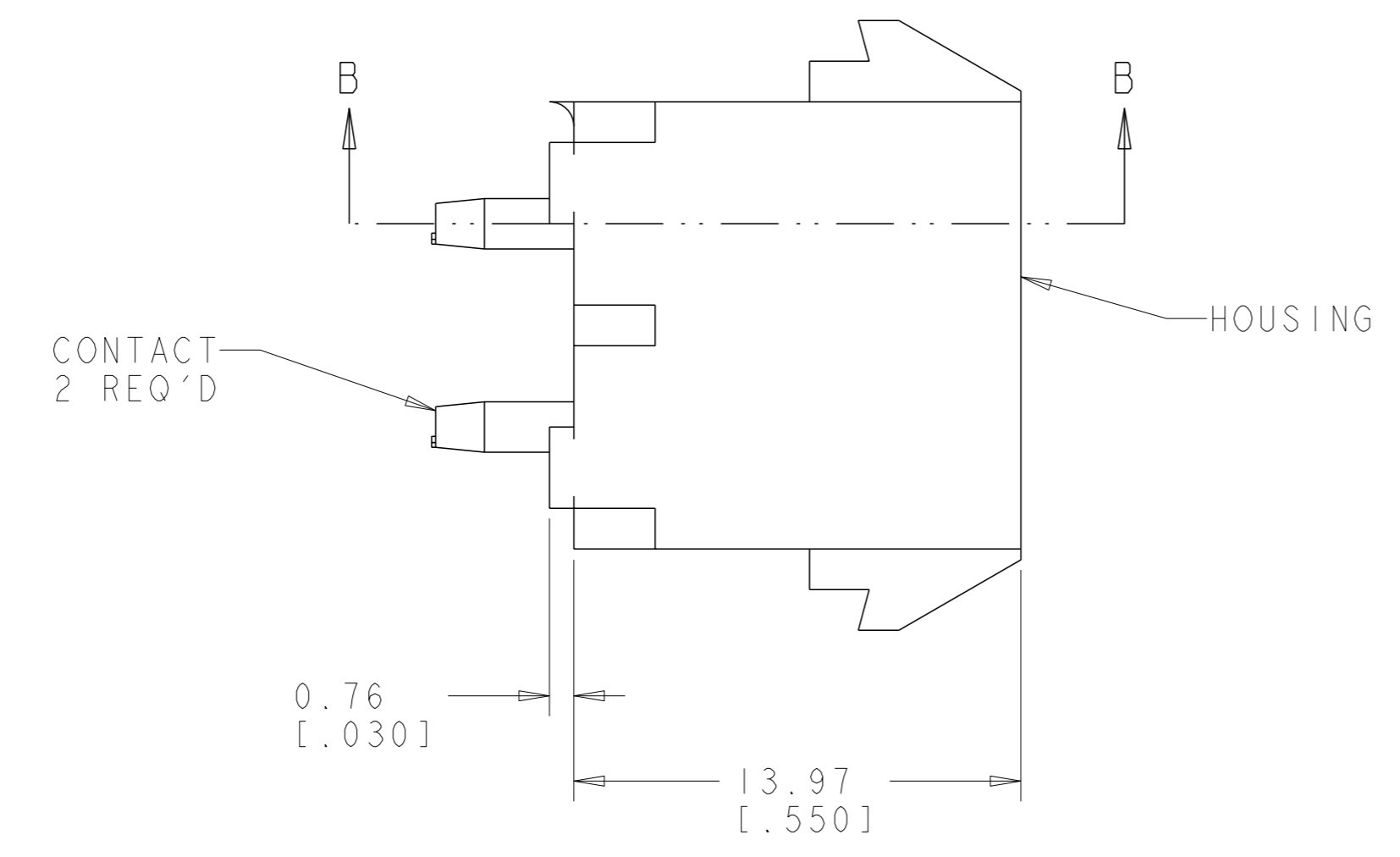
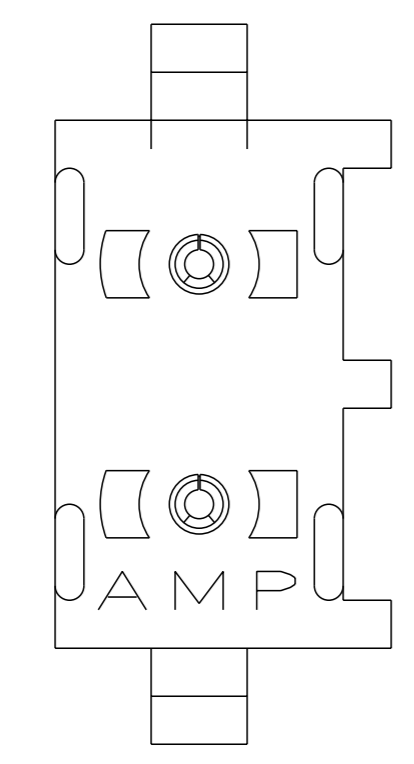
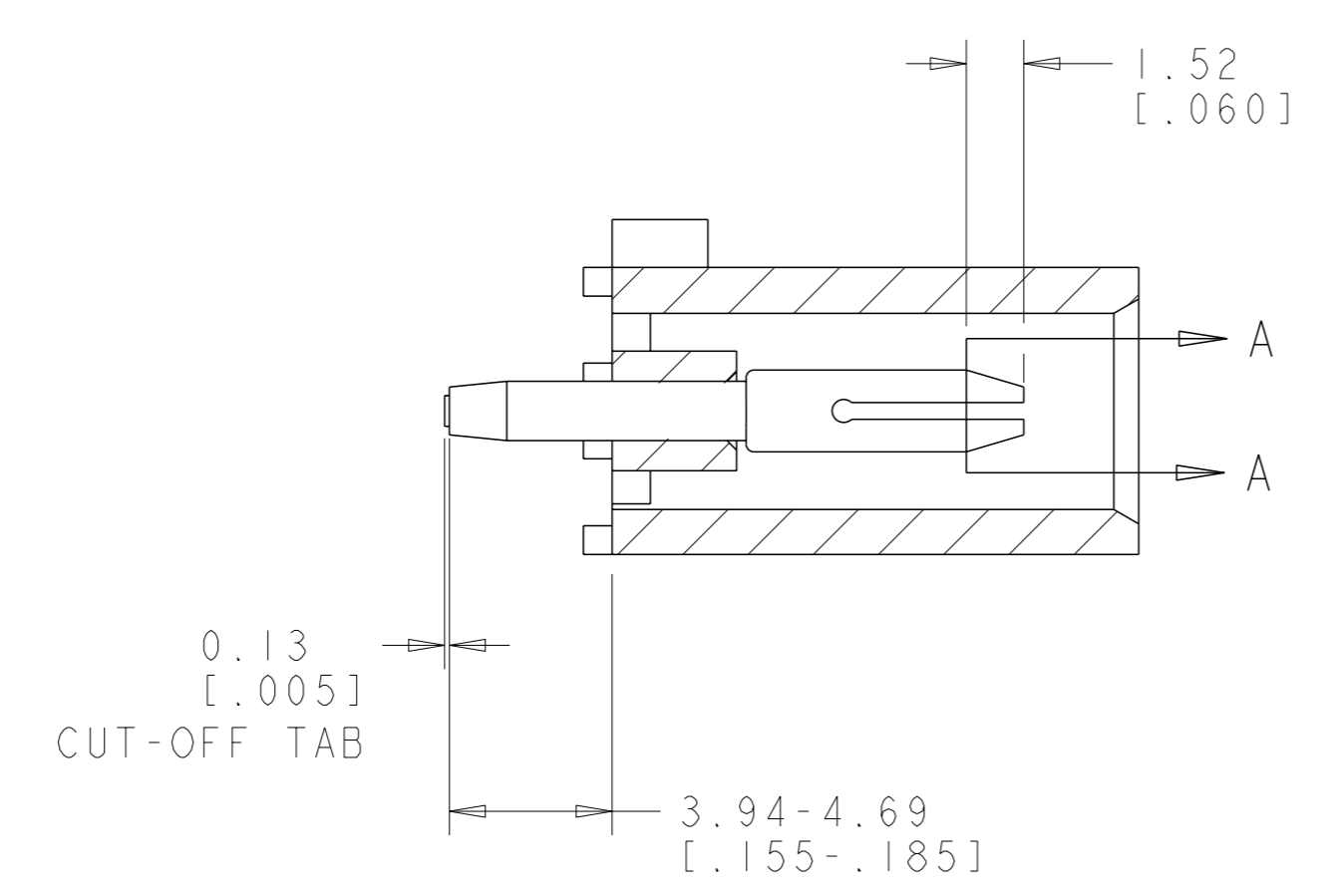


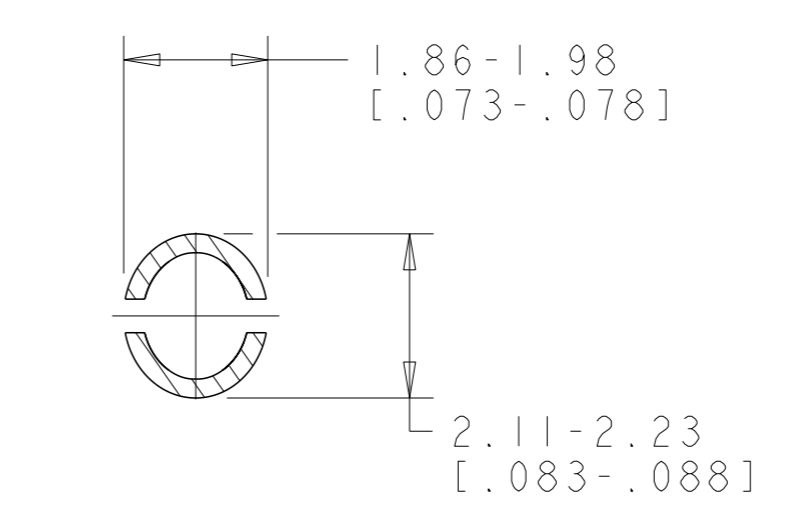
| LOC | DIST | REVISIONS | | | |
|-----|------|-----------|-----------------------|-----------|-------|
| CM | 00 | REV | BY | DATE | APP'D |
| | | B1 | REV PER ECO-17-007882 | 31MAY2017 | RS KR |



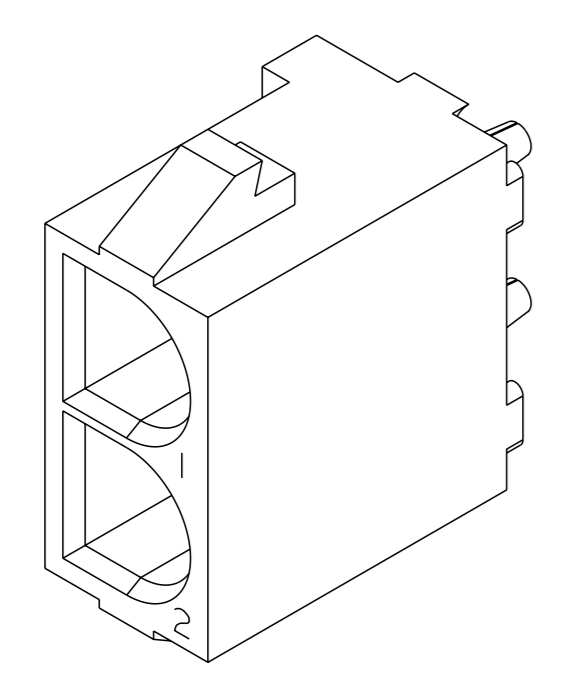
- PARTS COMPLY TO AMP SOLDERABILITY SPECIFICATION 109-11-3.
- CIRCUIT IDENTIFICATION CHARACTERS ARE ADJACENT TO THE INDICATED CAVITIES, BUT LOCATION AND ORIENTATION MAY DIFFER FROM PRINT.
- DIMENSIONS IN BRACKETS ARE IN INCHES.
- FLAMMABILITY V-2 FOR THICKNESS 0.38mm, 0.75mm, 1.5mm AND 3.0mm PER IEC 60695-11-10.
- GLOW-WIRE FLAMMABILITY (GWFI) 930°C FOR THICKNESS 0.75mm PER IEC 60695-2-12.
- GLOW-WIRE FLAMMABILITY (GWFI) 960°C FOR THICKNESS 0.38mm, 1.5mm AND 3.0mm PER IEC 60695-2-12.
- GLOW-WIRE IGNITION (GWIT) 825°C FOR THICKNESS 1.5mm AND 3.0mm PER IEC 60695-2-13.
- GLOW-WIRE IGNITION (GWIT) 930°C FOR THICKNESS 0.38mm AND 0.75MM PER IEC-60695-2-13



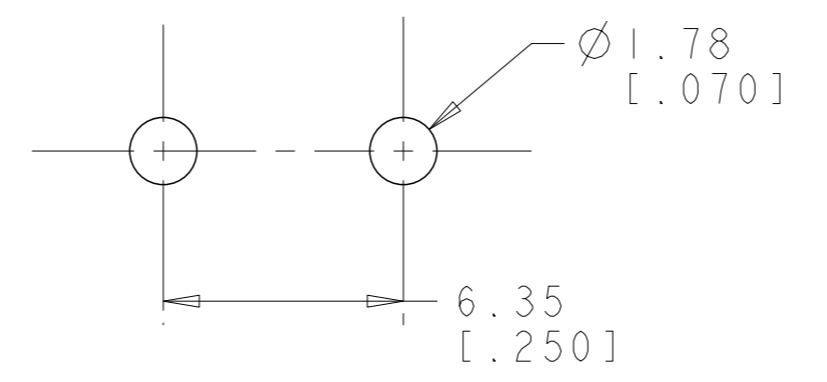
SECTION B-B



SECTION A-A
SCALE 10:1



3 DIMENSIONAL VIEW
SCALE 4:1



RECOMMENDED MOUNTING HOLE PATTERN
FOR 1.57 [.062] THICK P.C. BOARD

| | | |
|--|---|--|
| PHOSPOR BRONZE, PRE-TIN PIN CONTACT MATERIAL AND FINISH | NYLON, UL94V-2, NATURAL HOUSING MATERIAL AND COLOR | 1586953-1 PART NUMBER |
| <small>THIS DRAWING IS UNPUBLISHED. RELEASED FOR PUBLICATION. 20. COPYRIGHT 20 BY TYCO ELECTRONICS CORPORATION. ALL RIGHTS RESERVED.</small> | | DWN: K. WHITAKER 25JUL2007 CHK: D. COLEY 25JUL2007 APVD: D. COLEY 25JUL2007 PRODUCT SPEC: APPLICATION SPEC NAME: PIN HEADER ASSEMBLY, 2 CIRCUIT, UNIVERSAL MATE-N-LOK(TM) SIZE: A CAGE CODE: 00779 DRAWING NO: 1586953 WEIGHT: - RESTRICTED TO: - MATERIAL: SEE TABLE FINISH: SEE TABLE CUSTOMER DRAWING: SCALE 5:1 SHEET 1 OF 1 REV B1 |



X-ON Electronics

Largest Supplier of Electrical and Electronic Components

Click to view similar products for [Pin & Socket Connectors](#) category:

Click to view products by [TE Connectivity](#) manufacturer:

Other Similar products are found below :

[6450822-1](#) [770392-1](#) [794042-1](#) [796885-1](#) [8-794535-1](#) [PLR3455ACS-222](#) [R929991004](#) [R929993003](#) [1403611-1](#) [1-480349-5](#) [152302-5](#)
[153211-2](#) [1586092-1](#) [1586129-1](#) [1586681-4](#) [1586700-1](#) [1586368-1](#) [1586380-1](#) [1586616-1](#) [1586680-5](#) [16-06-0038](#) [164164-5](#) [1-6609930-1](#)
[172296-1](#) [19-09-2035](#) [200503-1](#) [200788-2](#) [2029090-4](#) [2029095-4](#) [925061-7](#) [293734-4](#) [293737-2](#) [1-765362-4](#) [1-794606-3](#) [1871534-1](#)
[200833-4](#) [2008625-2](#) [2029027-2](#) [2029096-4](#) [R929991000](#) [R929991002](#) [R929993000](#) [319-10-101-00-005000](#) [319-10-102-00-001000](#)
[319-10-104-00-001000](#) [319-10-105-00-001000](#) [319-10-108-00-001000](#) [319-10-112-00-006000](#) [39-01-8019](#) [319-10-101-00-001000](#)