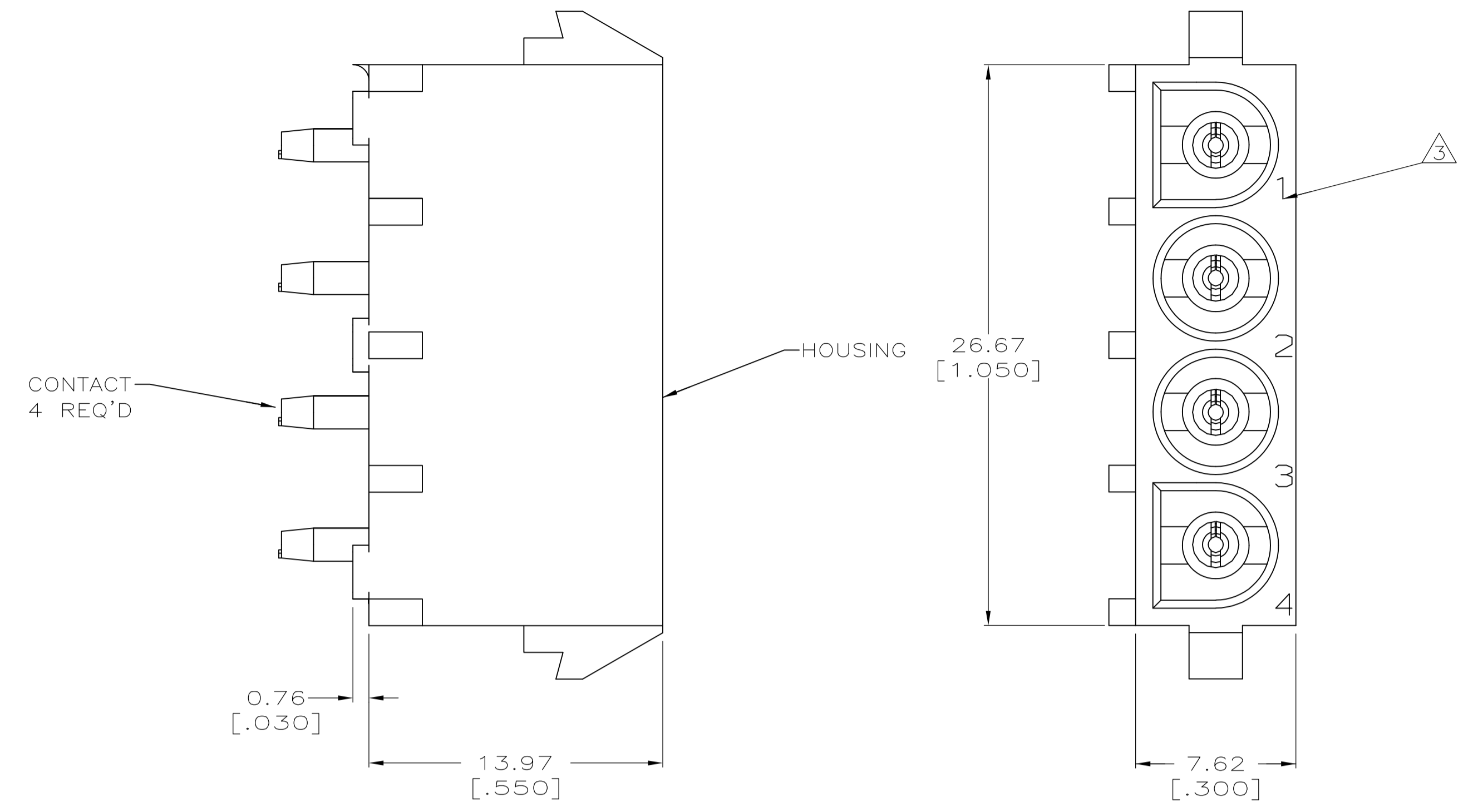
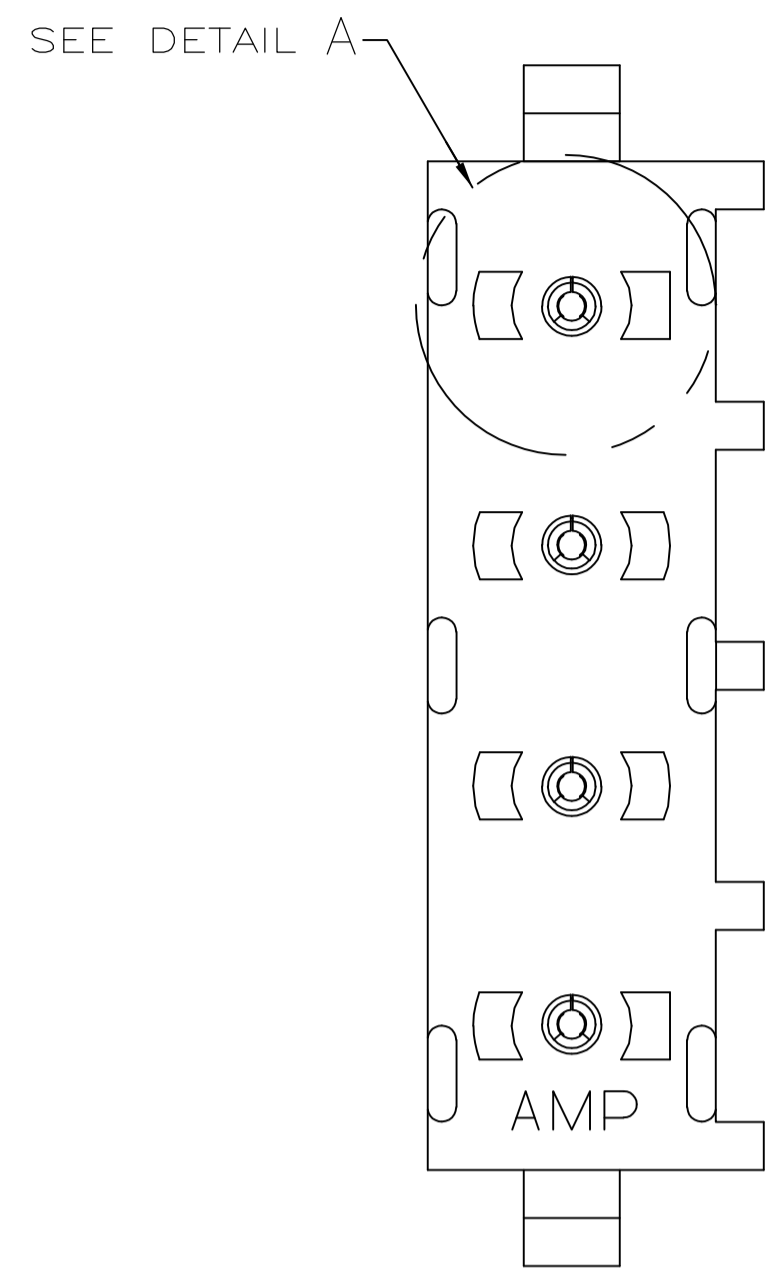
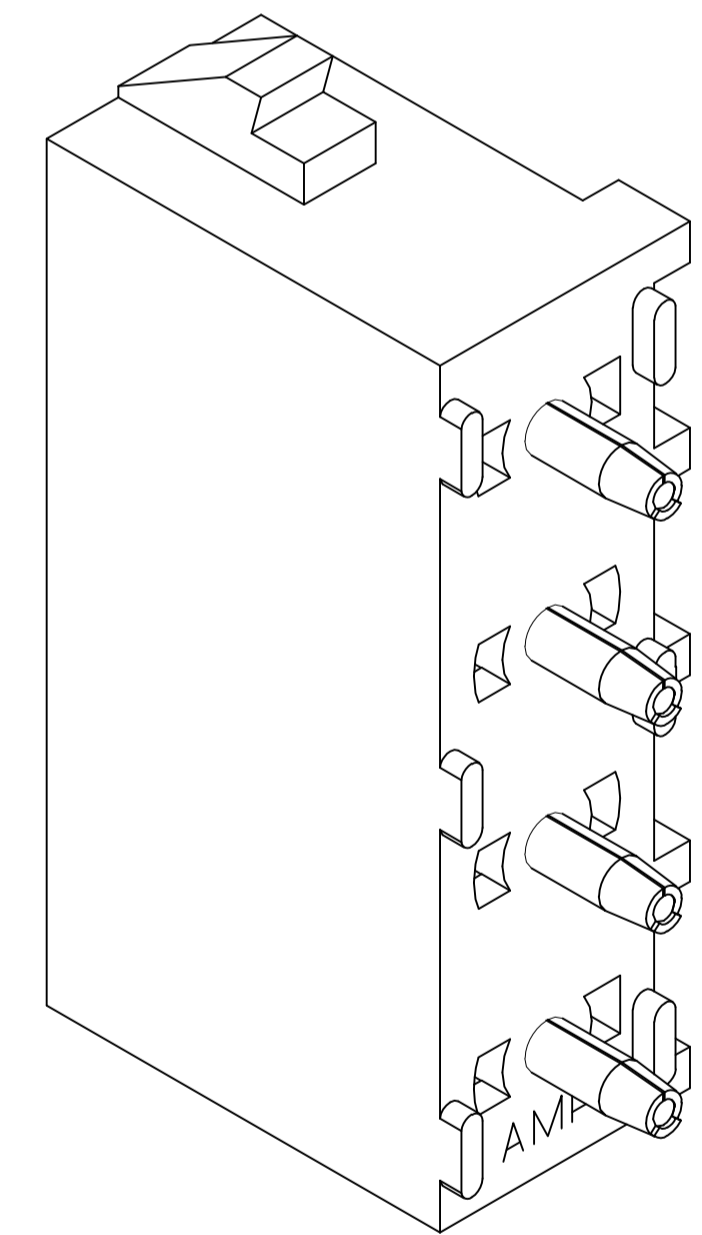
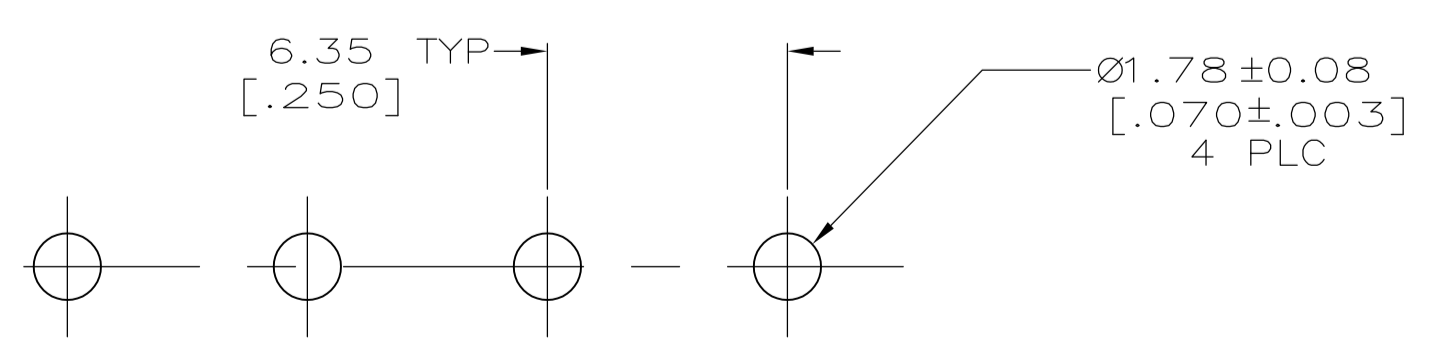
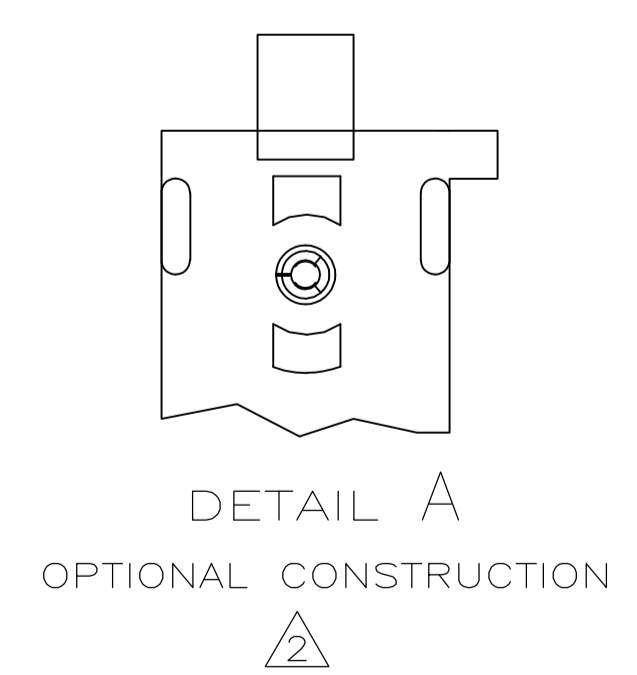
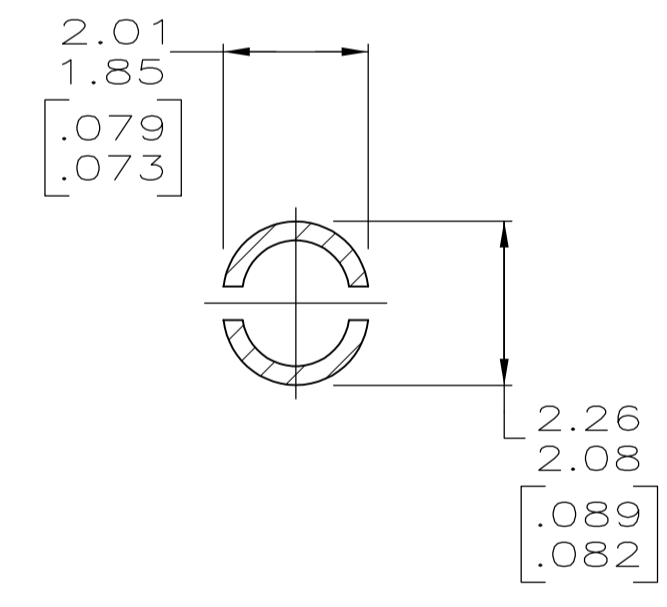
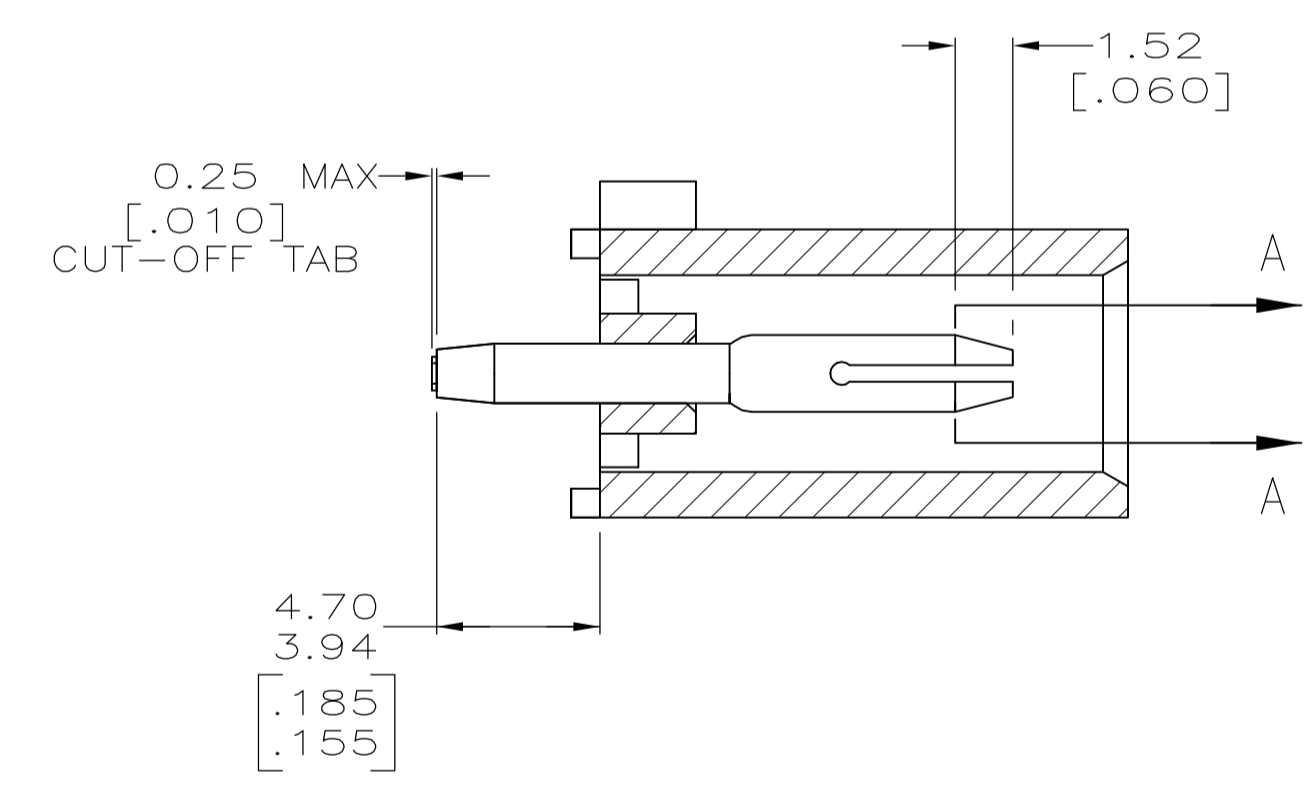


LOC		DIST		REVISIONS			
P	LTR	DESCRIPTION	DATE	DNW	APVD		
B		REV PER ECR 10-018921	14SEPT10	JR	TM		

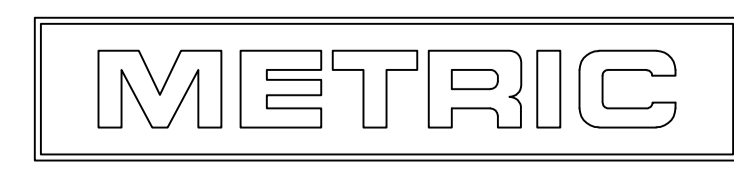


- PARTS COMPLY TO AMP SOLDERABILITY SPECIFICATION 109-11-3.
- △ DRAIN HOLES LOCATED AS SHOWN. OPTIONAL CONSTRUCTION - ALL DRAIN HOLES LOCATED 90° AS SHOWN IN DETAIL A.
- △ CIRCUIT IDENTIFICATION CHARACTERS ARE ADJACENT TO THE INDICATED CAVITIES, BUT LOCATION AND ORIENTATION MAY DIFFER FROM PRINT.
- DIMENSIONS IN BRACKETS ARE IN INCHES.
- FLAMMABILITY V2 FOR THICKNESS 0.38mm, 1.5mm, and 3.0mm PER IEC 60695-11-10.
- GLOW-WIRE FLAMMABILITY (GWFI) 800°C FOR THICKNESS 0.38mm AND 0.75mm PER IEC 60695-2-12.
- GLOW-WIRE FLAMMABILITY (GWFI) 960°C FOR THICKNESS 1.5mm AND 3.0mm PER IEC 60695-2-12.
- GLOW-WIRE IGNITION (GWIT) 825°C FOR THICKNESS 0.38mm, 0.75mm, 1.5mm AND 3.0mm PER IEC 60695-2-13.



3-DIMENSIONAL MODEL NTS

PHOSPHOR BRONZE, PRE-TIN	NYLON, UL94V-2,NATURAL	1586963-1
PIN CONTACT MATERIAL AND FINISH	HOUSING MATERIAL	PART NUMBER
THIS DRAWING IS A CONTROLLED DOCUMENT.		DIN K. WHITAKER 07AJG2007
DIMENSIONS: mm [INCHES]		CHK D. COLEY 07AJG2007
TOLERANCES UNLESS OTHERWISE SPECIFIED:		APVD D. COLEY 07AJG2007
0 PLC ± -	1 PLC ± -	NAME PRODUCT SPEC
2 PLC ± 0.13 [.005]	3 PLC ± -	APPLICATION SPEC
4 PLC ± -	ANGLES ± 0°30'	SIZE CAGE CODE DRAWING NO
MATERIAL SEE TABLE	FINISH SEE TABLE	WEIGHT -
CUSTOMER DRAWING		RESTRICTED TO
SCALE 5:1		SHEET 1 OF 1
REV B		



## X-ON Electronics

Largest Supplier of Electrical and Electronic Components

*Click to view similar products for [Pin & Socket Connectors](#) category:*

*Click to view products by [TE Connectivity](#) manufacturer:*

Other Similar products are found below :

[6450822-1](#) [770392-1](#) [794042-1](#) [796885-1](#) [8-794535-1](#) [881459-2](#) [R929993003](#) [1-350779-3](#) [1403611-1](#) [1-480349-5](#) [1586092-1](#) [1586129-1](#)  
[1586487-1](#) [1586681-4](#) [1586700-1](#) [1586065-1](#) [1586077-1](#) [1586368-1](#) [1586380-1](#) [1586680-5](#) [1586681-2](#) [1604996-1](#) [16-06-0038](#) [164164-5](#) [1-](#)  
[6609930-1](#) [172296-1](#) [1-794714-6](#) [19-09-2035](#) [1969804-1](#) [200503-1](#) [200788-2](#) [201046-7](#) [202648-4](#) [2029076-2](#) [2029090-4](#) [2029095-4](#) [2-](#)  
[66102-6](#) [925061-7](#) [926681-1](#) [293734-4](#) [293737-2](#) [1-765362-4](#) [1-794606-3](#) [1871534-1](#) [1969795-1](#) [1969798-1](#) [1969800-1](#) [200833-4](#)  
[2008625-2](#) [2029027-2](#)