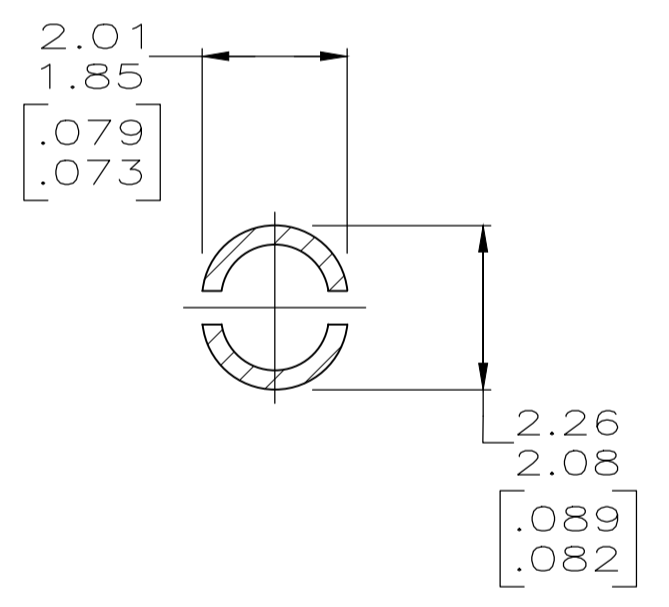
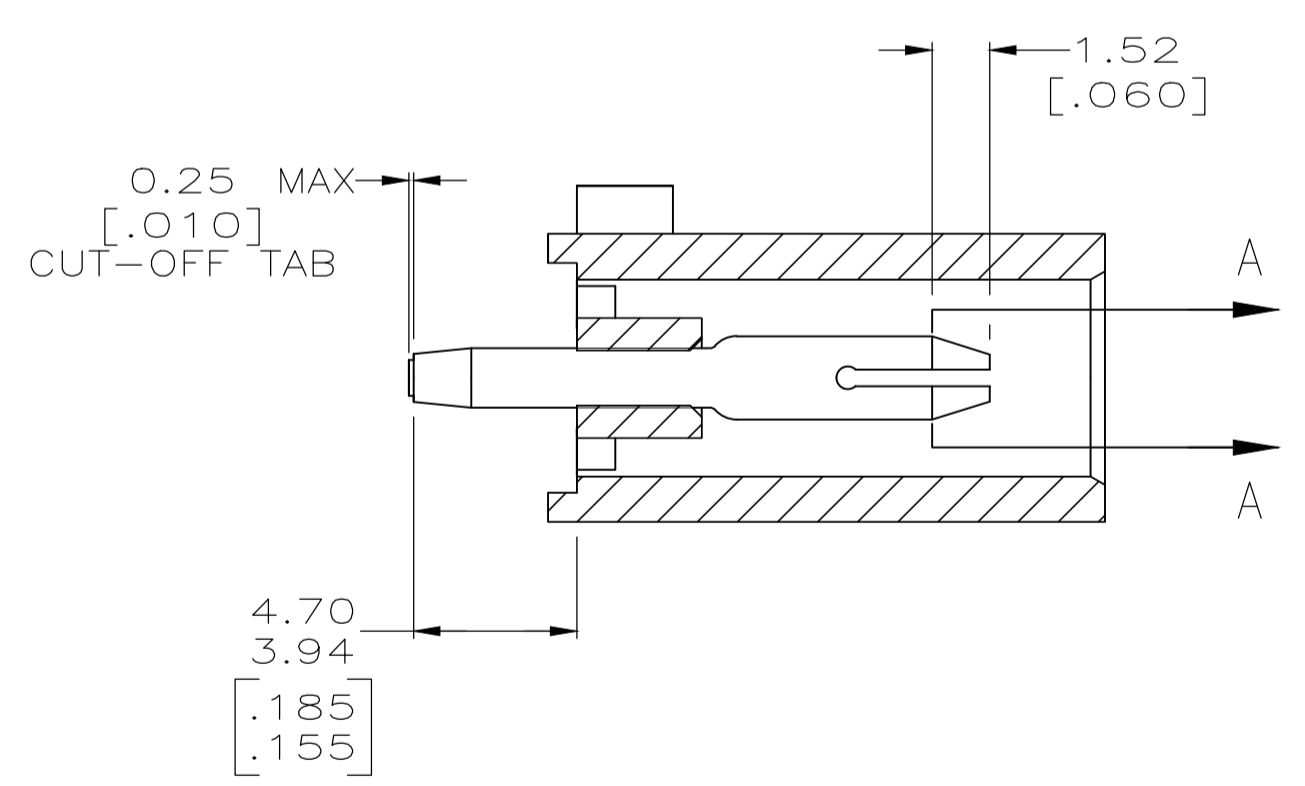
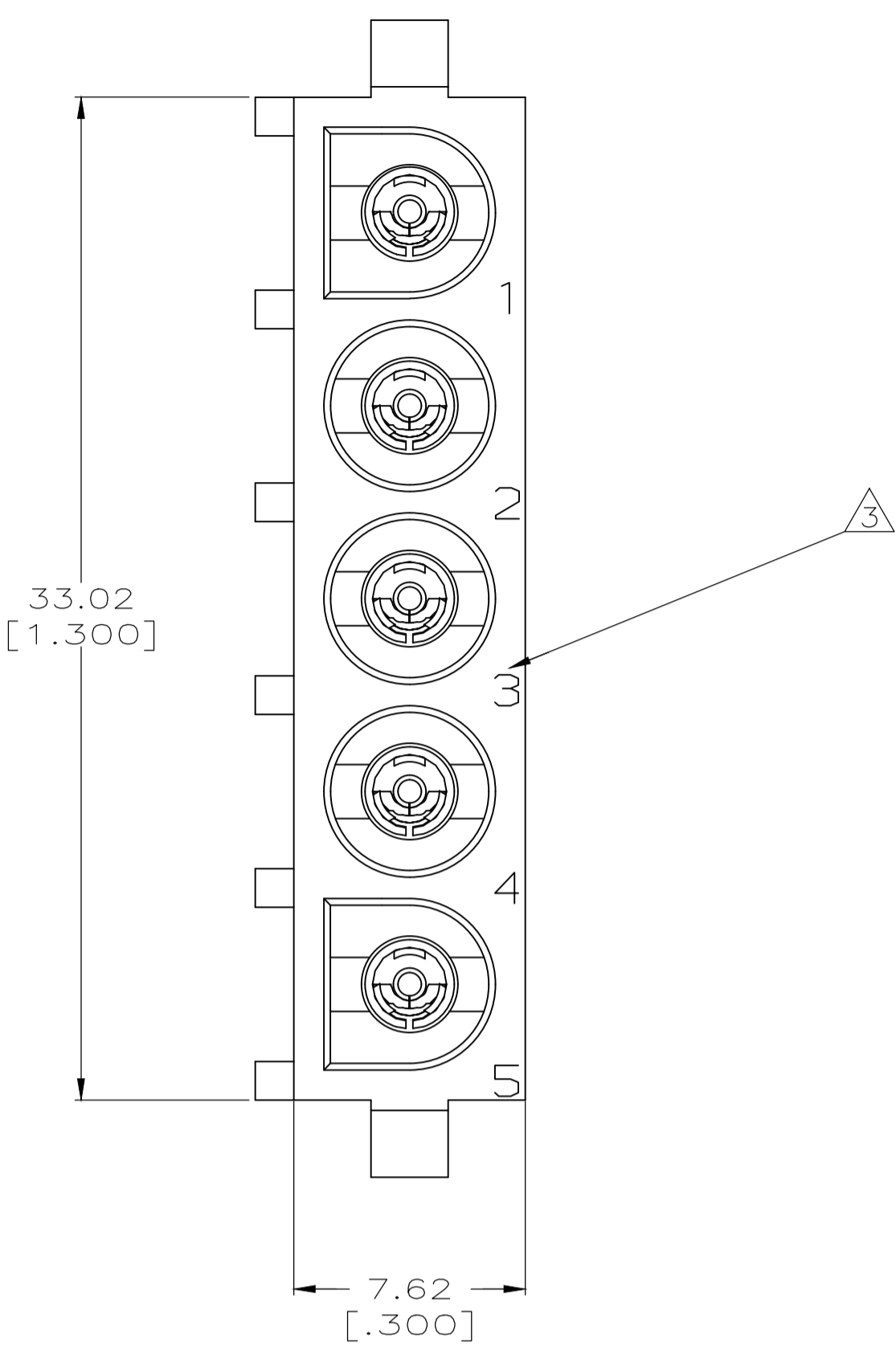
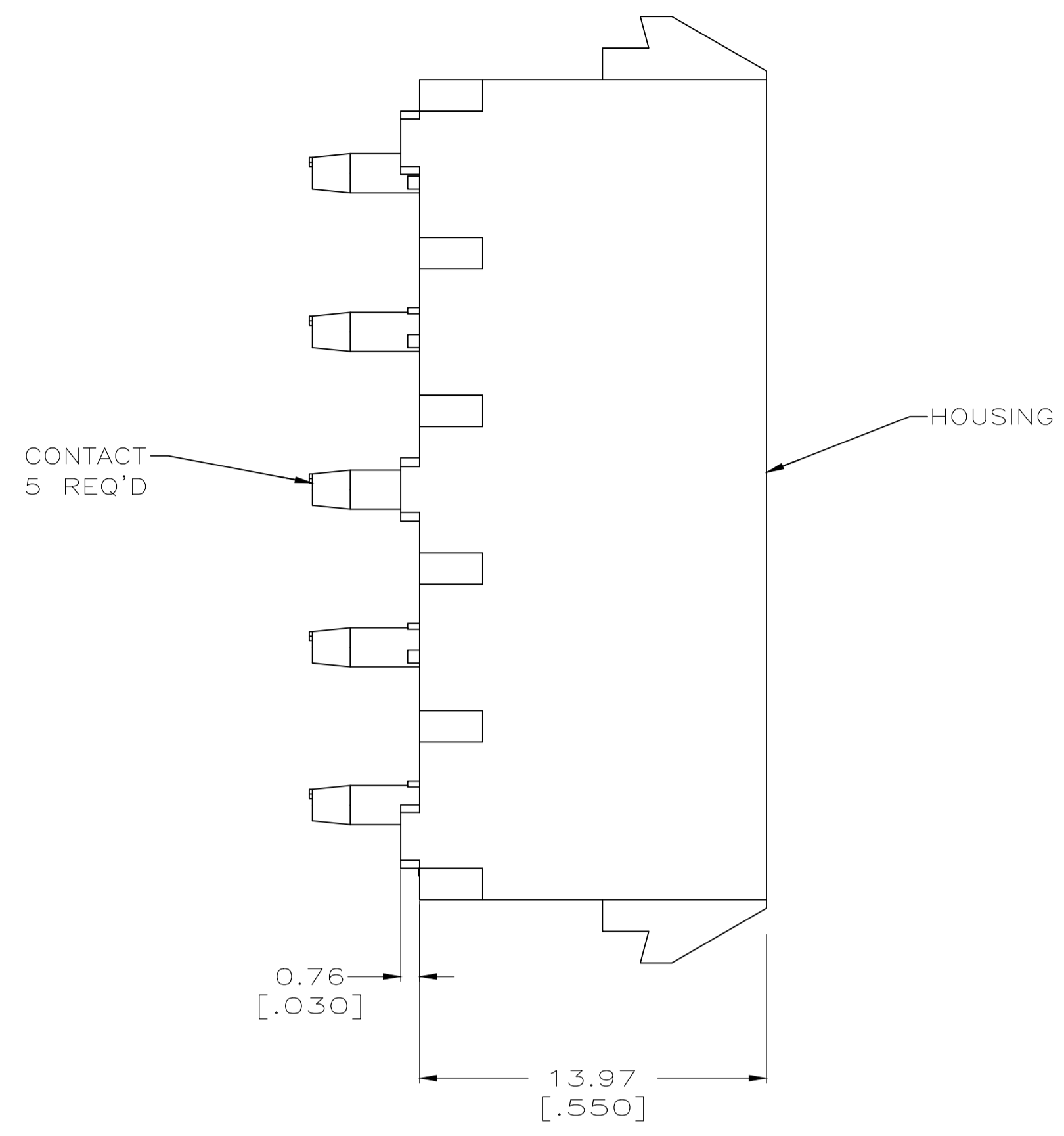
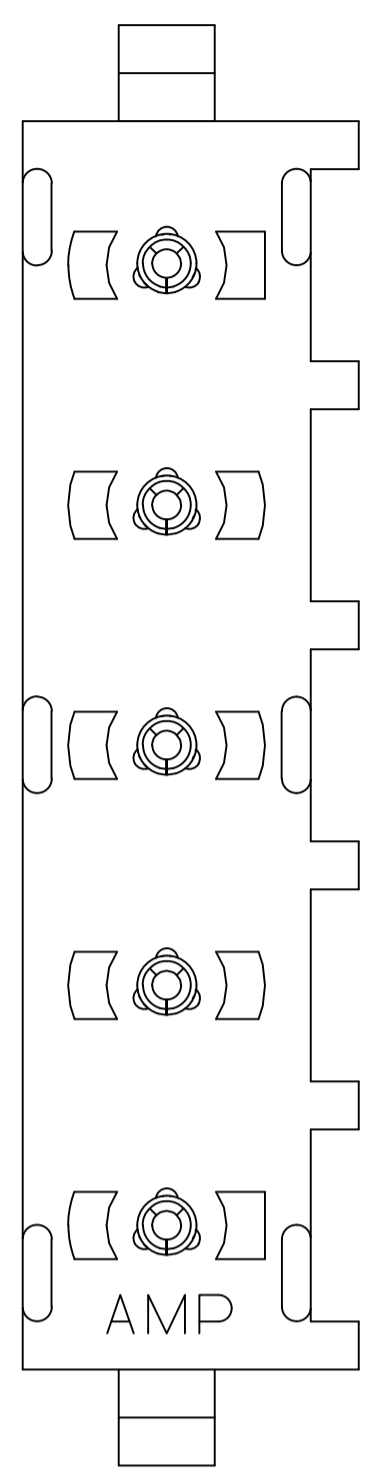
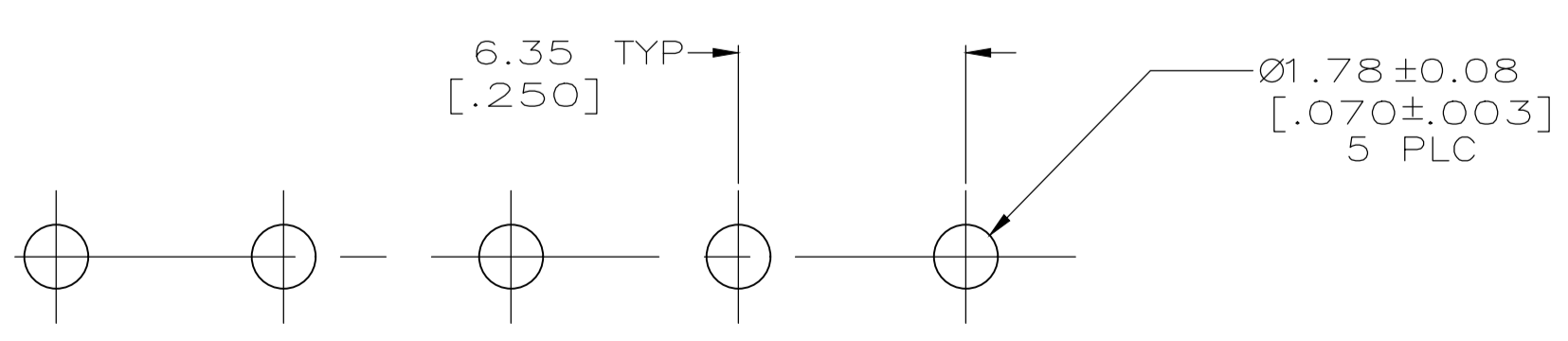


REVISIONS					
P	LTR	DESCRIPTION	DATE	DMN	APVD
B1		REV PER ECO-19-012183	06AUG2019	RS	SF

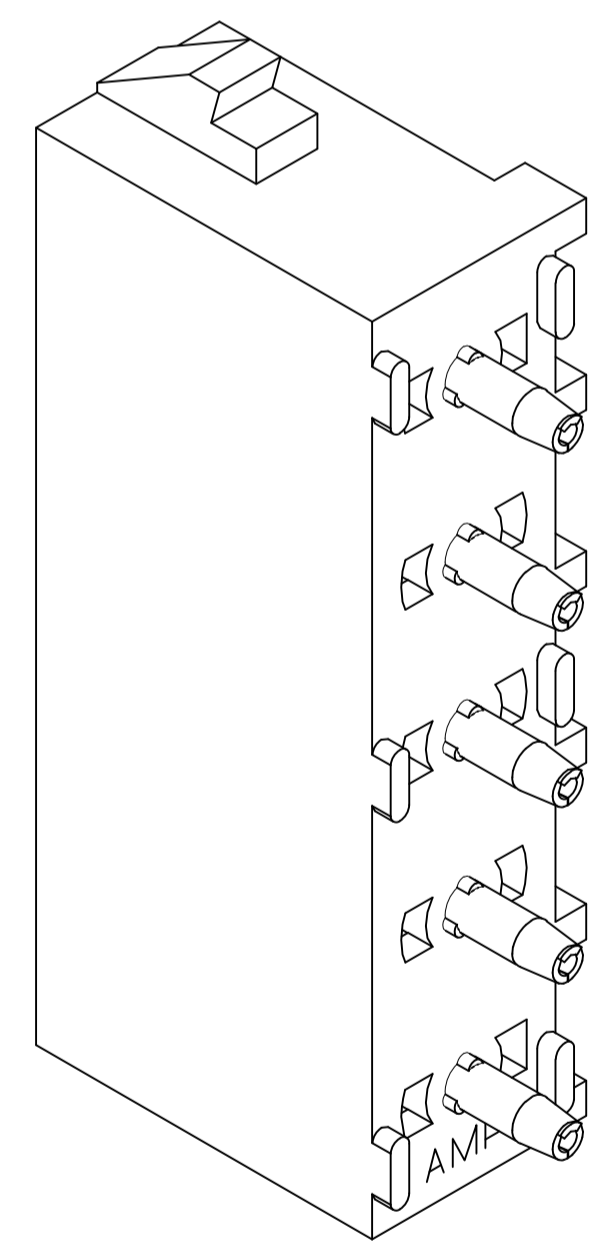


SECTION A-A
SCALE 10:1



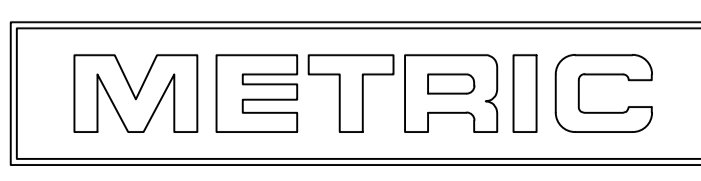
RECOMMENDED MOUNTING HOLE PATTERN FOR 1.57 [.062] THICK P.C. BOARD

- PARTS COMPLY TO AMP SOLDERABILITY SPECIFICATION 109-11-3.
- DIMENSIONS IN BRACKETS ARE IN INCHES.
- △ CIRCUIT IDENTIFICATION CHARACTERS ARE ADJACENT TO THE INDICATED CAVITIES, BUT LOCATION AND ORIENTATION MAY DIFFER FROM PRINT.
- FLAMMABILITY V2 FOR THICKNESS 0.38mm, 1.5mm, and 3.0mm PER IEC 60695-11-10.
- GLOW-WIRE FLAMMABILITY (GWFI) 800°C FOR THICKNESS 0.38mm AND 0.75mm PER IEC 60695-2-12.
- GLOW-WIRE FLAMMABILITY (GWFI) 960°C FOR THICKNESS 1.5mm AND 3.0mm PER IEC 60695-2-12.
- GLOW-WIRE IGNITION (GWIT) 825°C FOR THICKNESS 0.38mm, 0.75mm, 1.5mm AND 3.0mm PER IEC 60695-2-13.
- DIMENSIONS SHOWN REPRESENT PRODUCT IN DRY, AS MOLDED CONDITION. ADDITIONAL 2% GROWTH DUE TO SUBSEQUENT MOISTURE ABSORPTION MAY OCCUR AND SHOULD BE ACCOUNTED FOR



3-DIMENSIONAL MODEL NTS

PHOSPHOR BRONZE, PRE-TIN PIN CONTACT MATERIAL AND FINISH		NYLON, UL94V-2, NATURAL HOUSING MATERIAL		1586968-1 PART NUMBER	
THIS DRAWING IS A CONTROLLED DOCUMENT.		DIN K. WHITAKER 07AUG2007 CHK D. COLEY 07AUG2007		TE Connectivity	
DIMENSIONS: mm [INCHES]		TOLERANCES UNLESS OTHERWISE SPECIFIED:		NAME: PIN HEADER ASSEMBLY, 5 CIRCUIT UNIVERSAL MATE-N-LOK	
0 PLC ± -		1 PLC ± -		SIZE: A1	
2 PLC ± 0.13 [.005]		3 PLC ± -		CAGE CODE: 00779	
4 PLC ± -		ANGLES ± # 0°30'		DRAWING NO: 1586968	
MATERIAL: SEE TABLE		FINISH: SEE TABLE		WEIGHT: 0.000000	
				CUSTOMER DRAWING	
				SCALE: 5:1	
				SHEET 1 OF 1	
				REV B1	



X-ON Electronics

Largest Supplier of Electrical and Electronic Components

Click to view similar products for [Pin & Socket Connectors](#) category:

Click to view products by [TE Connectivity](#) manufacturer:

Other Similar products are found below :

[6450822-1](#) [770392-1](#) [796885-1](#) [8-794535-1](#) [PLR3455ACS-222](#) [R929991004](#) [R929993001](#) [R929993003](#) [1403611-1](#) [1-480349-5](#) [152302-5](#)
[1586091-1](#) [1586092-1](#) [1586129-1](#) [1586681-4](#) [1586700-1](#) [1586368-1](#) [1586380-1](#) [1586616-1](#) [1586680-5](#) [164164-5](#) [1-6609930-1](#) [172296-1](#)
[19-09-2035](#) [200503-1](#) [200788-2](#) [2029090-4](#) [2029095-4](#) [925061-7](#) [293734-4](#) [293737-2](#) [1-765362-4](#) [1-794606-3](#) [200833-4](#) [2008625-2](#)
[2029027-2](#) [2029096-4](#) [R929991000](#) [R929991002](#) [R929993000](#) [319-10-101-00-005000](#) [319-10-102-00-001000](#) [319-10-104-00-001000](#)
[319-10-105-00-001000](#) [319-10-108-00-001000](#) [319-10-112-00-006000](#) [39-01-8019](#) [319-10-101-00-001000](#) [319-10-102-00-005000](#)
[39-03-6151](#)