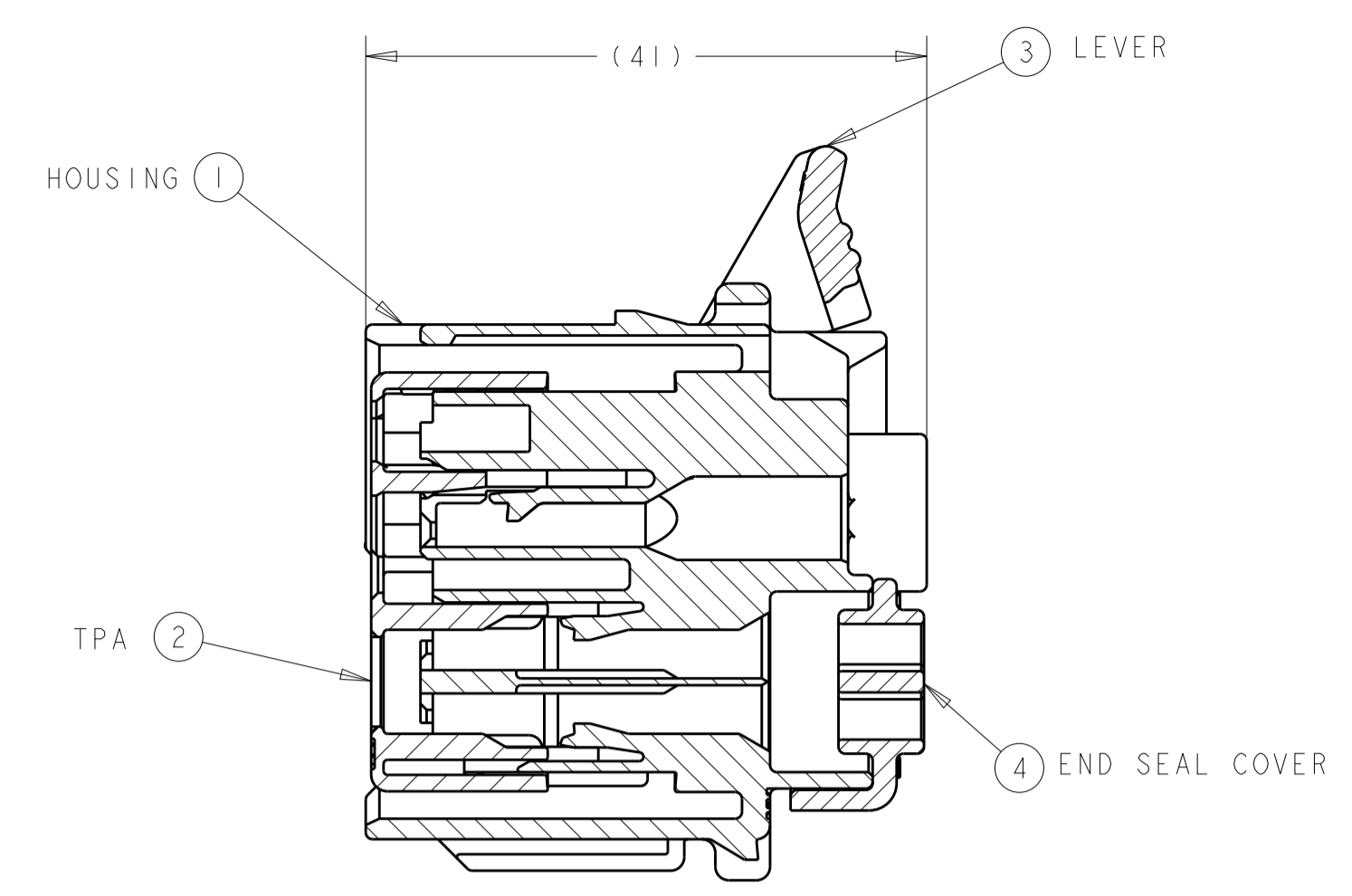
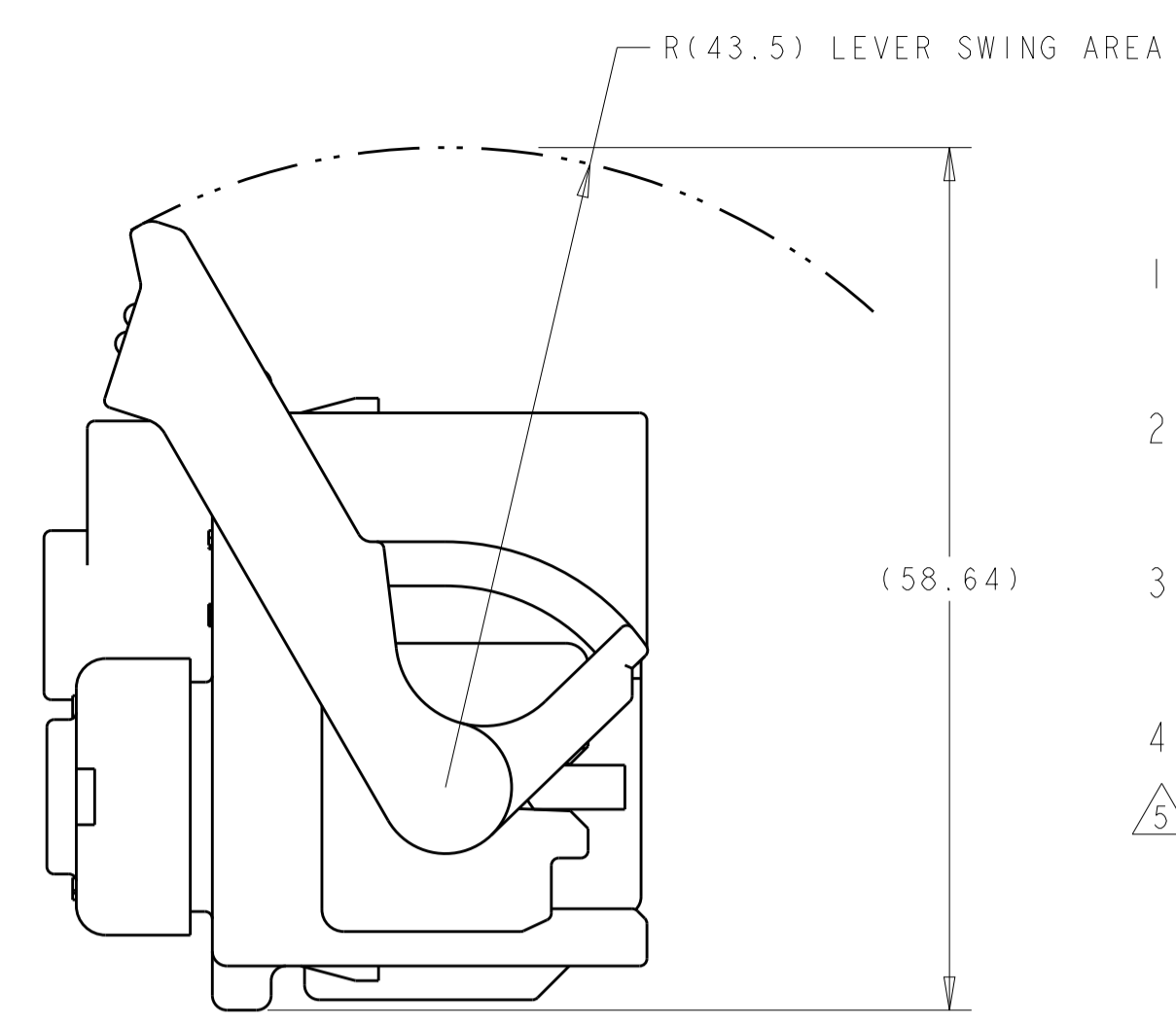
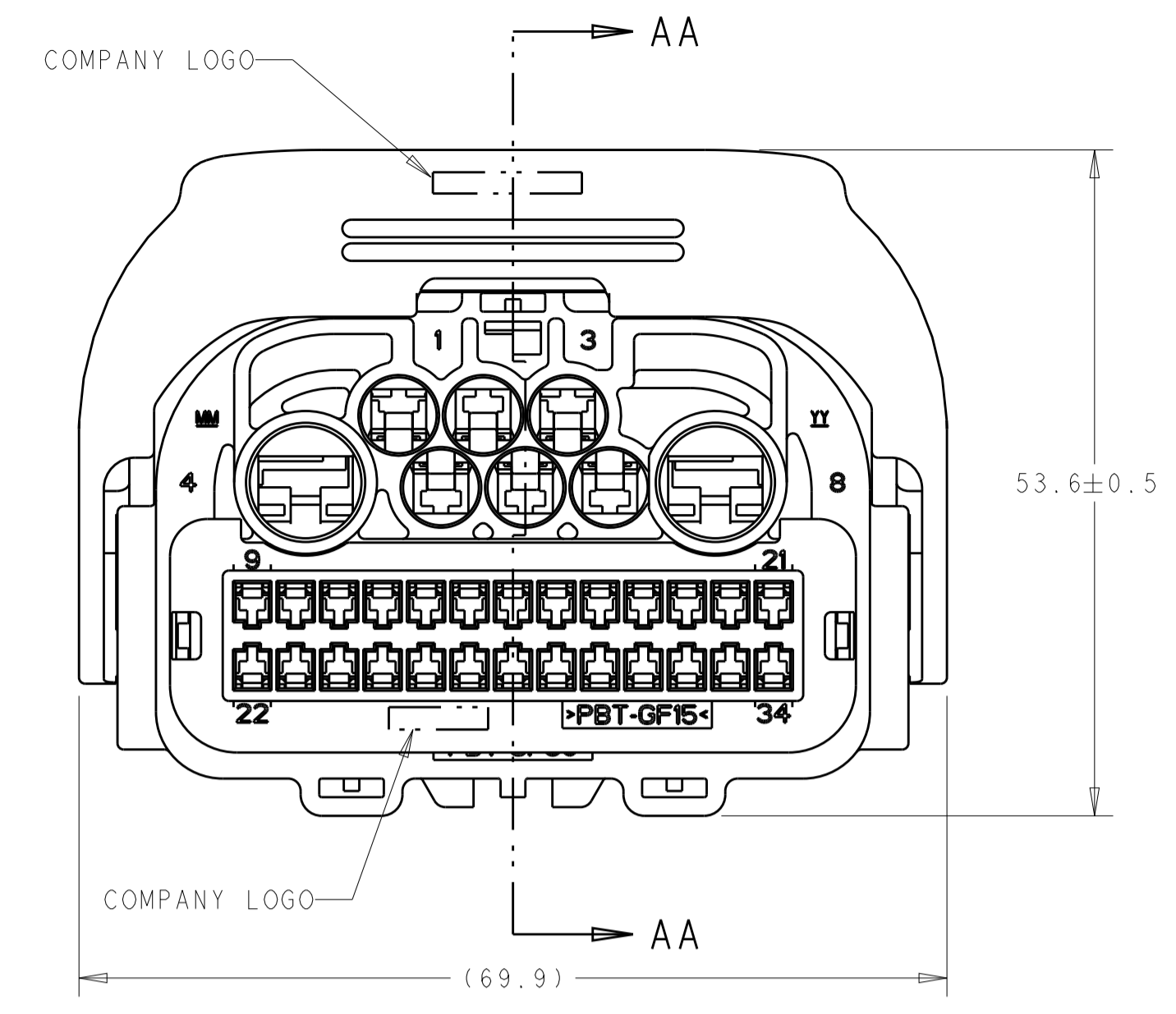


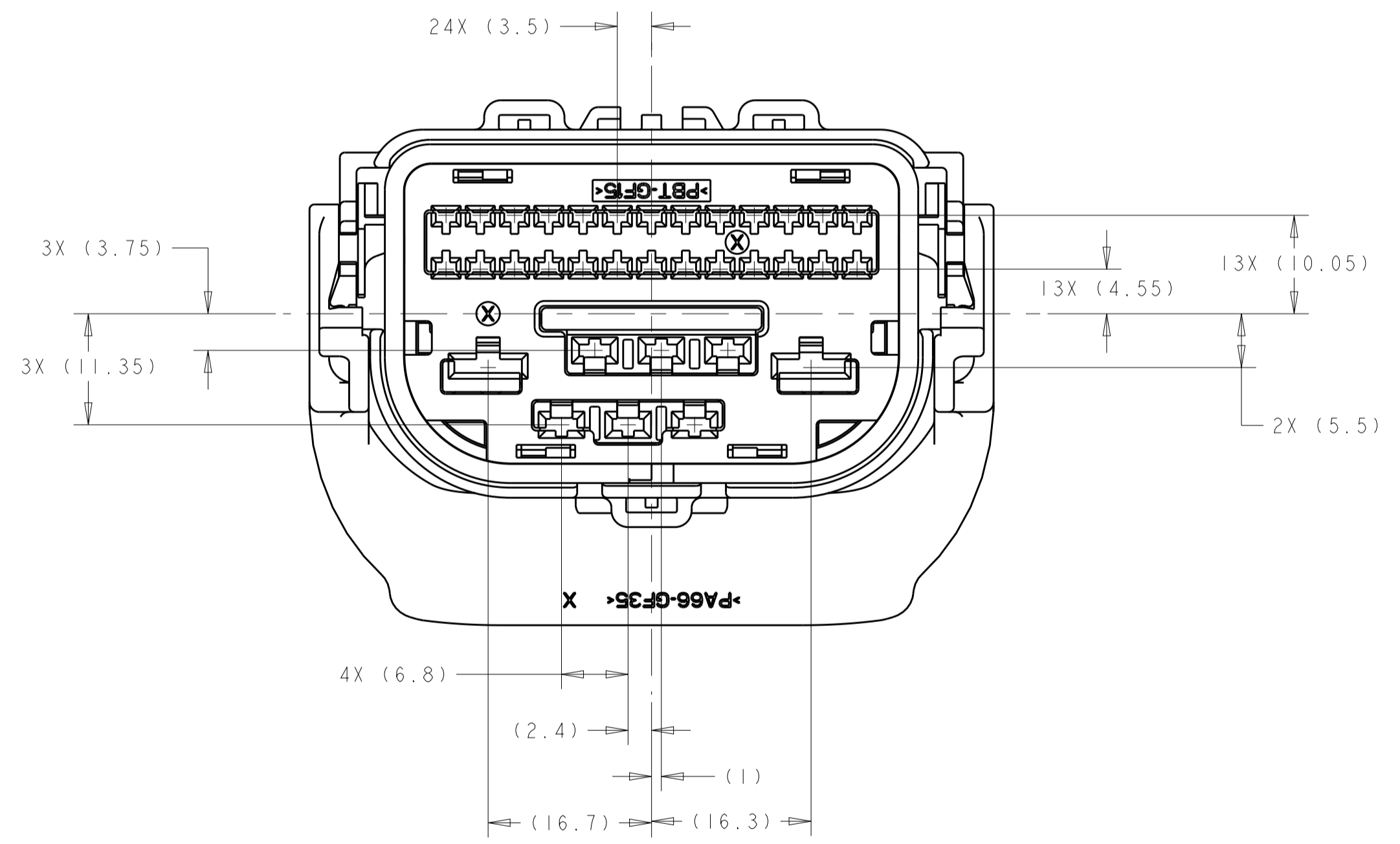
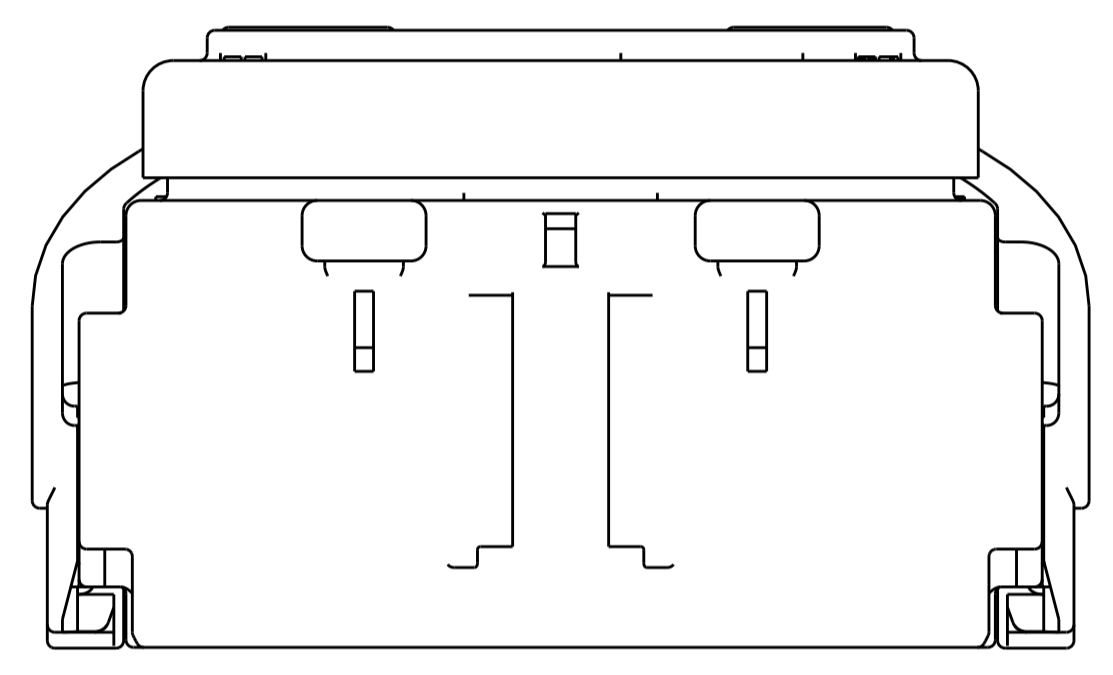
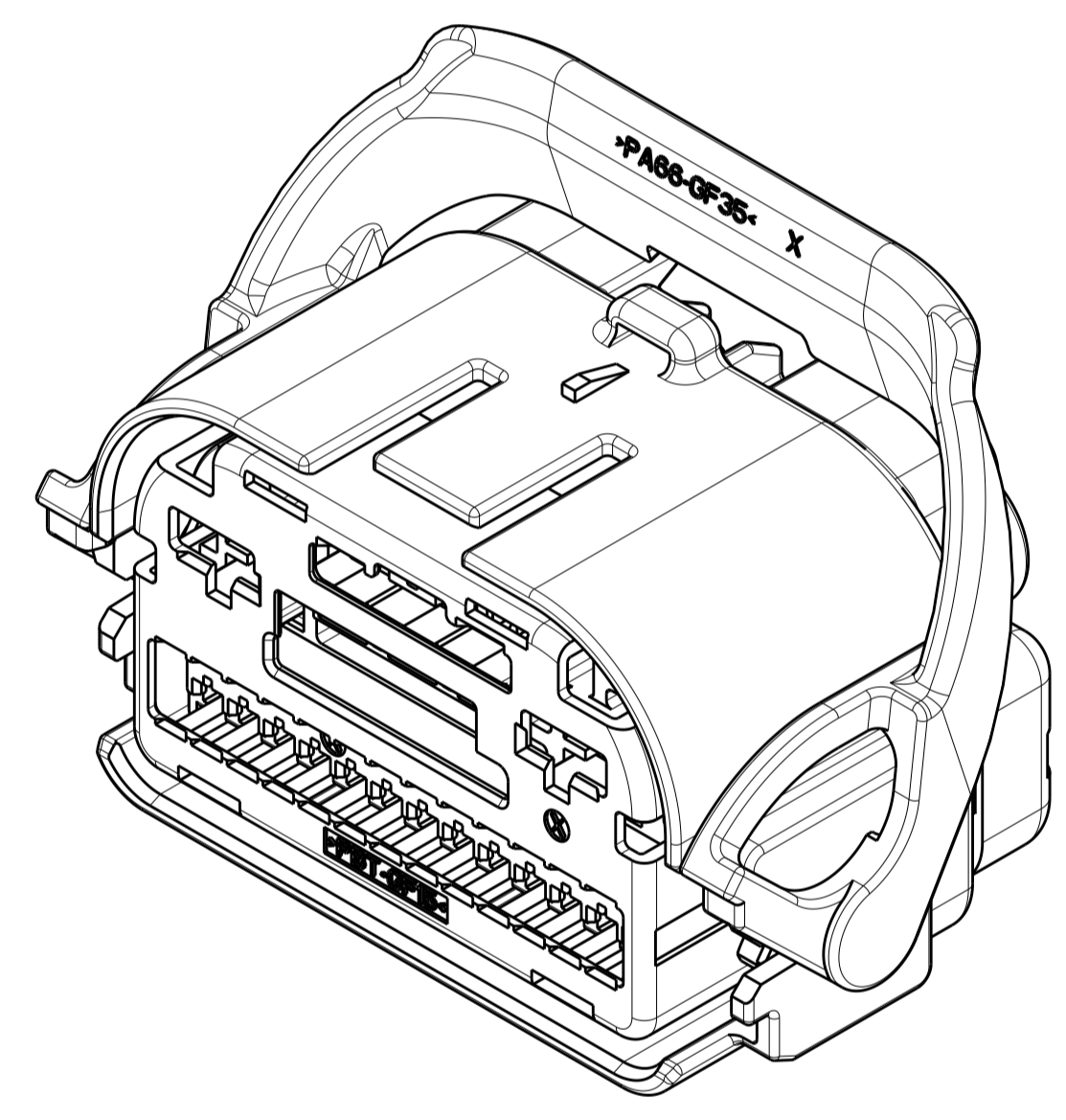
| LOC | DIST | REVISIONS | | | | | |
|-----|------|-----------|-----|---------------------------|-----------|-----|------|
| | | P | LTN | DESCRIPTION | DATE | DWN | APVD |
| HK | 00 | A | | REVISED PER ECO-13-003355 | 28FEB2013 | DLD | SLM |



SECTION AA-AA
TPA AND LEVER SHOWN
IN PRE-SEATED POSITION



- PART MUST CONFORM TO THE USCAR-2 SPECIFICATION, DATED 07/DEC/00 (REVISION 3).
 - 0.2mm MAXIMUM RADIUS PERMISSIBLE ON EDGES AND FILLETS SHOWN AS SHARP FOR PLASTIC PARTS.
 - PRODUCTION DATE CODE MUST BE LEGIBLE AND PERMANENTLY APPLIED WHEREVER PACKAGE SIZE PERMITS OR OTHER AGREEMENTS ARE MADE.
 - MATES WITH ASSEMBLY SHOWN ON DRAWING 1587269.
- SEE TE INSTRUCTION SHEET 408-8911 FOR PROPER POSITIONING OF TPA AND TE INSTRUCTION SHEET 408-10013 FOR APPLICATION USE OF CONNECTOR SYSTEM.



| APPLICABLE COMPONENTS (FOR REFERENCE ONLY) | | | | APPLICABLE WIRE SIZES (FOR REFERENCE ONLY) | COMPONENT MATING PART NUMBER |
|--|---------------|----------|----------------------|--|------------------------------|
| DESCRIPTION | COLOR/PLATING | SUPPLIER | SUPPLIER PART NUMBER | | |
| TERMINAL - FEMALE 1.5mm | TIN | MOLEX | 33012-0002 | 16-20 AWG OR METRIC EQUIVALENT | 33000-0002 |
| TERMINAL - FEMALE 2.8mm | TIN | TE | 1326030-2 | 20 AWG OR METRIC EQUIVALENT | 1326029-2 |
| TERMINAL - FEMALE 2.8mm | TIN | TE | 1326030-2 | 18 AWG OR METRIC EQUIVALENT | 1326029-2 |
| TERMINAL - FEMALE 2.8mm | TIN | TE | 1326030-3 | 16 AWG OR METRIC EQUIVALENT | 1326029-3 |
| TERMINAL - FEMALE 2.8mm | TIN | TE | 1326030-3 | 14 AWG OR METRIC EQUIVALENT | 1326029-3 |
| TERMINAL - FEMALE 2.8mm | TIN | TE | 1326030-4 | 12 AWG OR METRIC EQUIVALENT | 1326029-4 |
| TERMINAL - FEMALE 6.3mm | TIN | YAZAKI | 7116-4120-02 | 20-16 AWG OR METRIC EQUIVALENT | 7114-4120-02 |
| TERMINAL - FEMALE 6.3mm | TIN | YAZAKI | 7116-4121-02 | 14 AWG OR METRIC EQUIVALENT | 7114-4121-02 |
| TERMINAL - FEMALE 6.3mm | TIN | YAZAKI | 7116-4122-02 | 12 AWG OR METRIC EQUIVALENT | 7114-4122-02 |
| ANTI-ROTATION CLIP | NATURAL | TRW | PC47597-1 | N/A | N/A |

NOTE: SEE SUPPLIER DRAWINGS FOR LATEST INFORMATION AND CRIMP SPECIFICATIONS.

LIST OF PARTS

| QTY. REQUIRED | | | | ITEM | DESCRIPTION | COLOR | SUPPLIER PART NUMBER | MATERIAL SPECIFICATION | RECYCLING CODE | WEIGHT (GRAM) |
|---------------|----|----|----|------|----------------------------|---------|----------------------|------------------------|----------------|---------------|
| -4 | -3 | -2 | -1 | | | | | | | |
| 1 | - | - | 1 | 1 | HOUSING, KEYING OPTION "A" | BLACK | 1587048-1 | 30% GF PBT | >PBT-GF30< | TBD |
| - | - | 1 | - | 1 | HOUSING, KEYING OPTION "B" | GRAY | 1587048-2 | 30% GF PBT | >PBT-GF30< | TBD |
| - | 1 | - | - | 1 | HOUSING, KEYING OPTION "C" | NATURAL | 1587048-3 | 30% GF PBT | >PBT-GF30< | TBD |
| - | 1 | 1 | 1 | 2 | TPA | RED | 1587049-1 | 15% GF PBT | >PBT-GF15< | TBD |
| 1 | - | - | - | 2 | TPA | YELLOW | 1587049-2 | 15% GF PBT | >PBT-GF15< | TBD |
| 1 | 1 | 1 | 1 | 3 | LEVER | GRAY | 1587050-1 | 33% GF NYLON | >PA66-GF33< | TBD |
| 1 | 1 | 1 | 1 | 4 | END SEAL COVER | BLACK | 1587051-1 | 15% GF PBT | >PBT-GF15< | TBD |

| | |
|-------------------|-------------|
| SEE LIST OF PARTS | 1587268-4 |
| SEE LIST OF PARTS | 1587268-3 |
| SEE LIST OF PARTS | 1587268-2 |
| SEE LIST OF PARTS | 1587268-1 |
| DESCRIPTION | PART NUMBER |

THIS DRAWING IS A CONTROLLED DOCUMENT. DWN: AJ_GRAFF 22NOV2004
CHK: K_COBLE 22NOV2004
APVD: K_COBLE 22NOV2004

TE Connectivity

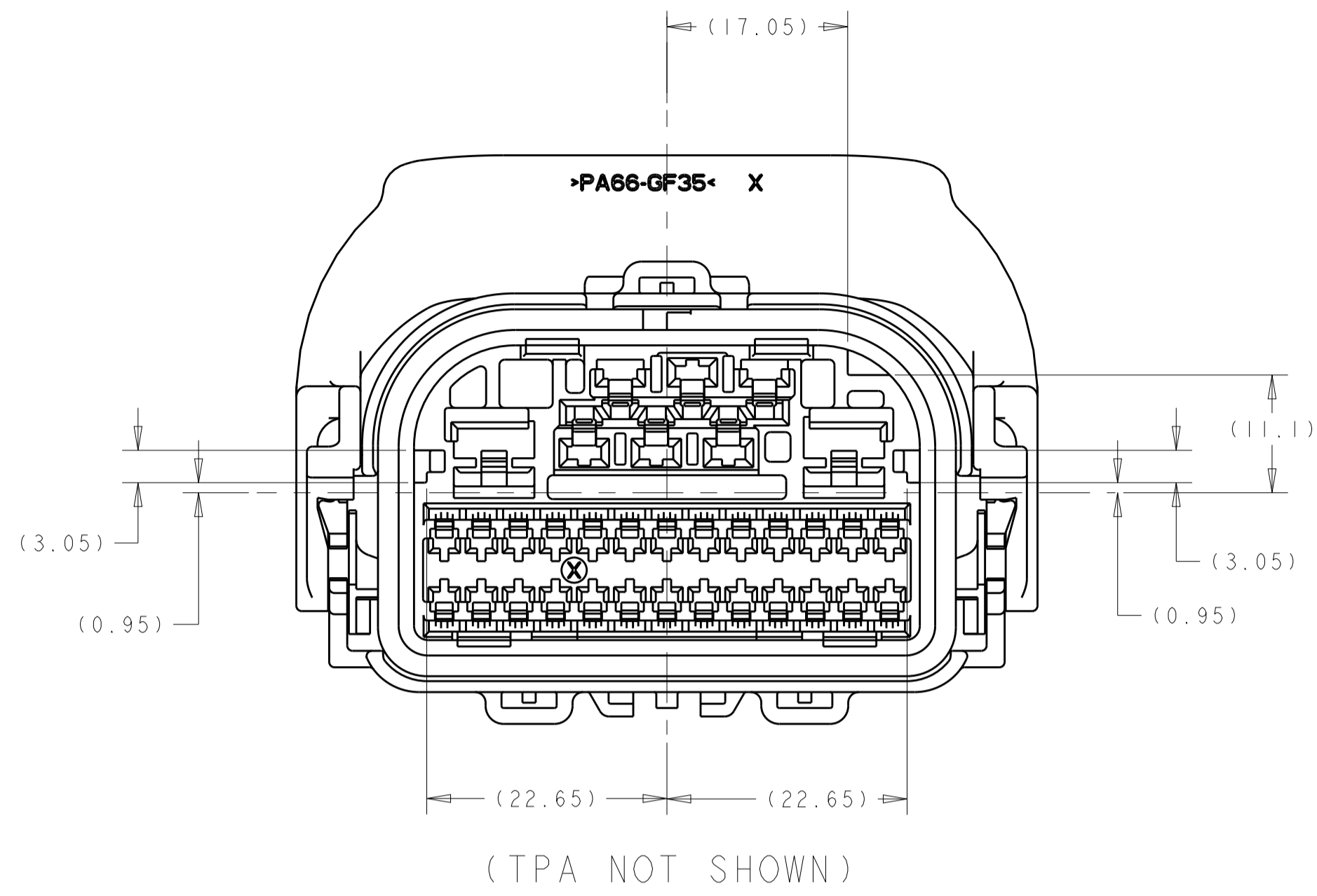
PLUG ASSEMBLY, FEMALE, 34 WAY UNSEALED, HYBRID

SIZE: A1 00779 C=1587268

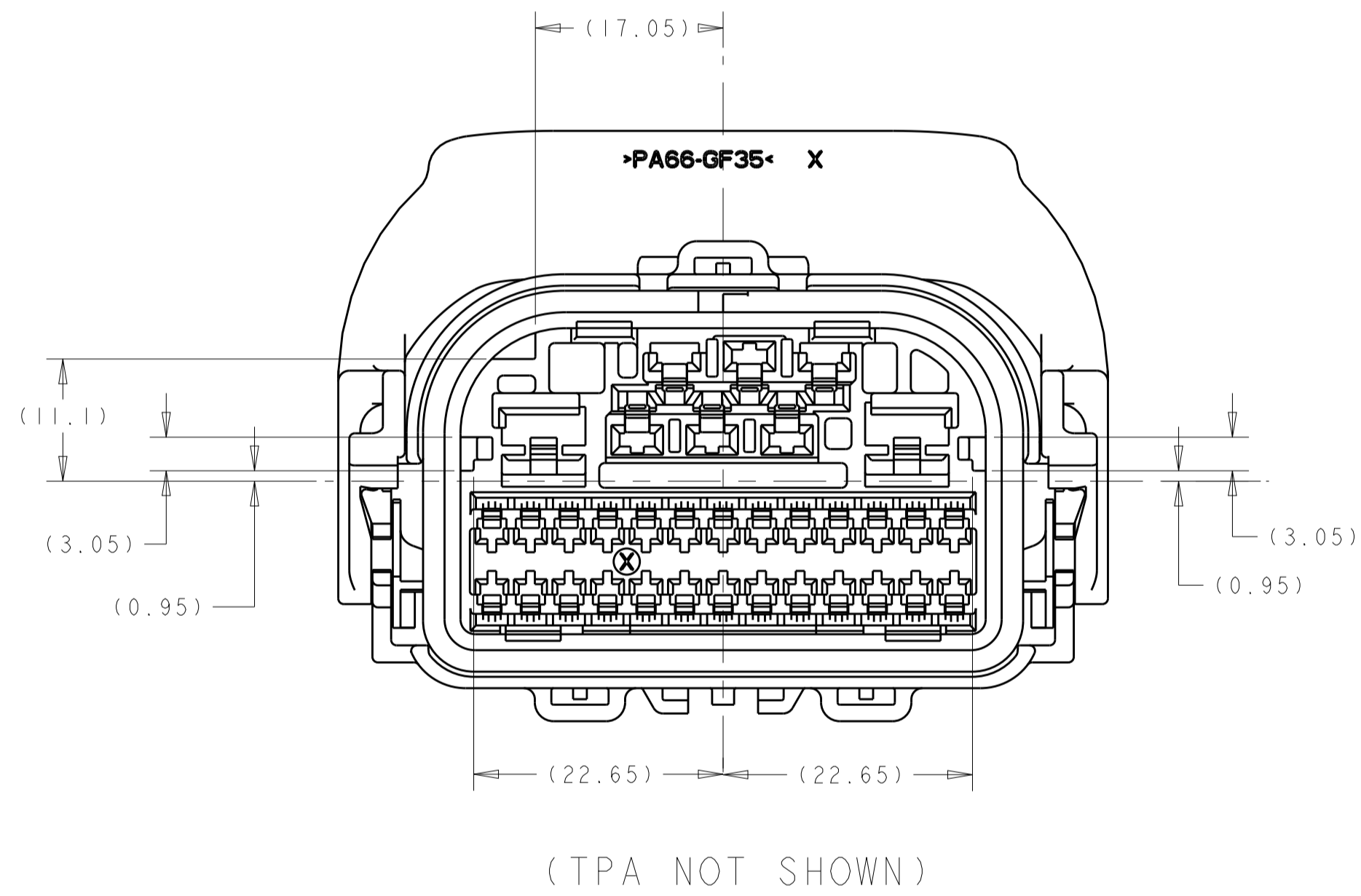
CUSTOMER DRAWING SCALE: NTS SHEET 1 OF 2 REV: A

FEMALE HOUSING ASSEMBLY
SCALE 2X

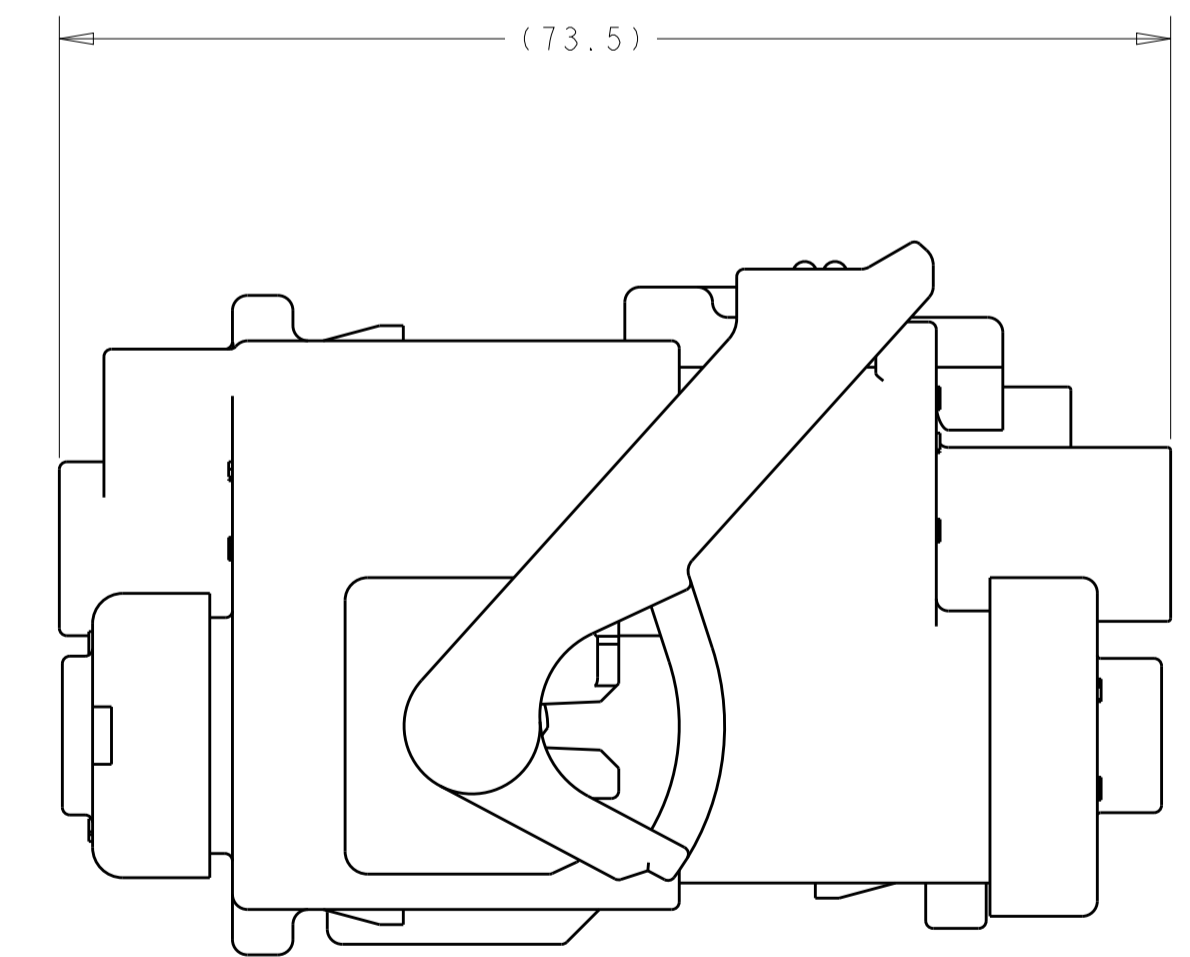
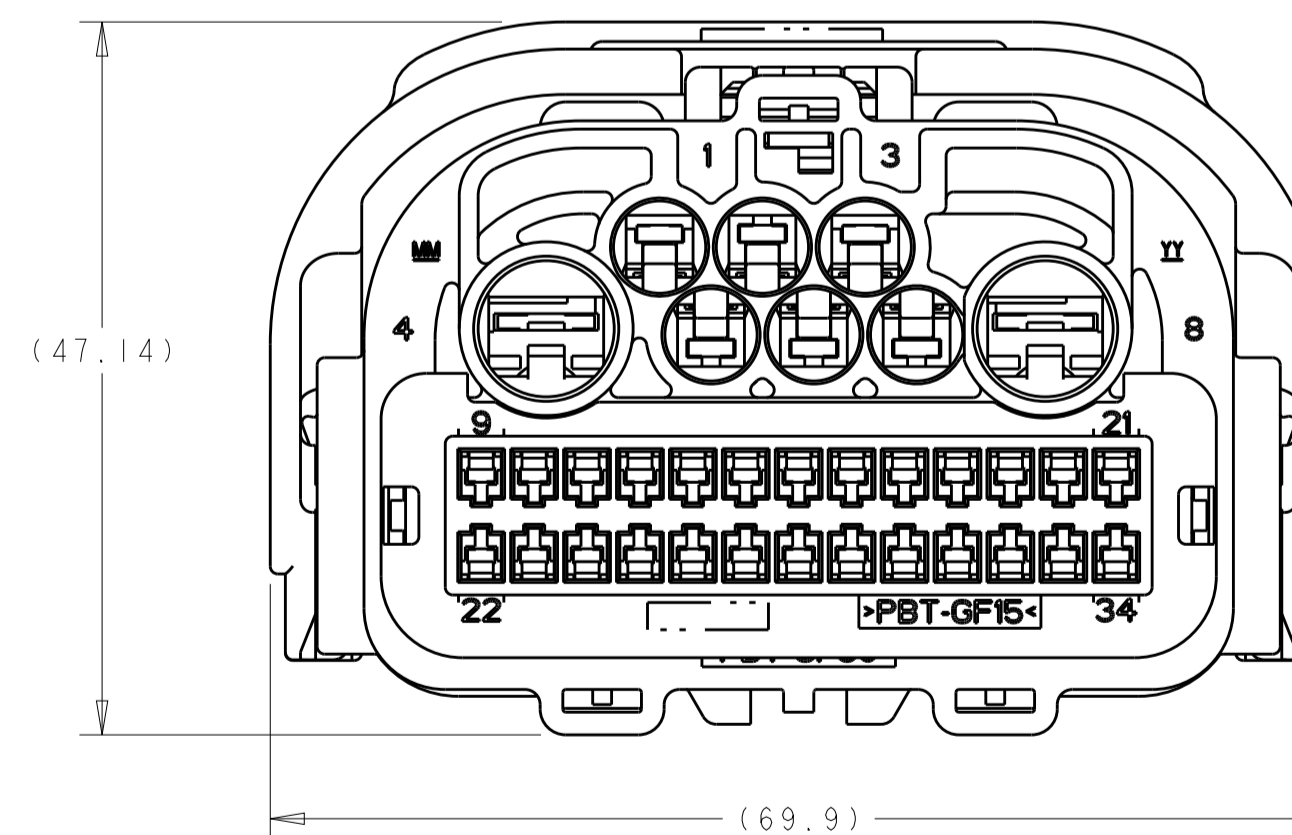
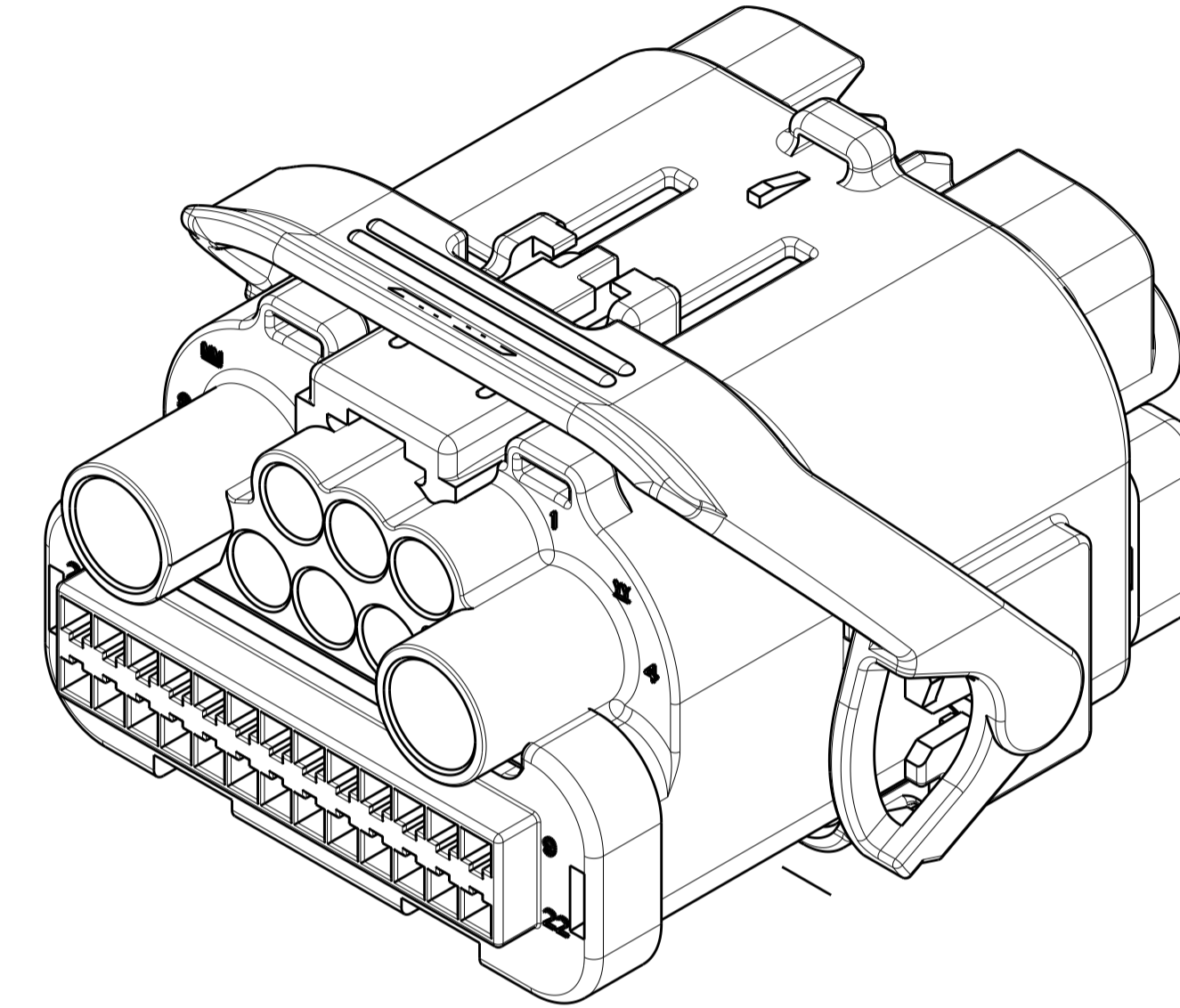
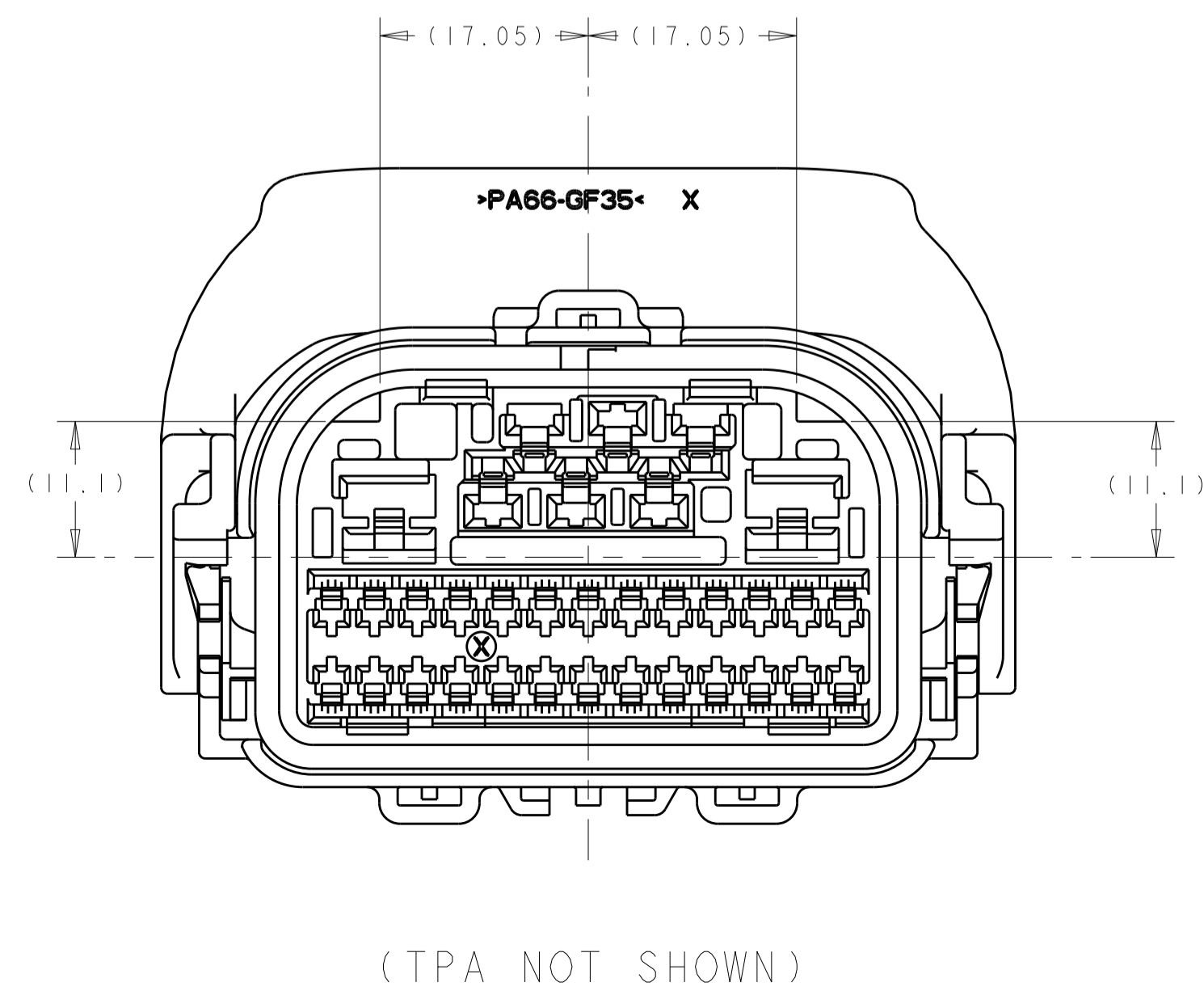
INDEX A



INDEX B



INDEX C



MATED ASSEMBLY
SCALE 2X

| LOC | DIST | REVISIONS | | | |
|-----|------|-------------|------|-----|------|
| P | LTN | DESCRIPTION | DATE | DMN | APVD |
| - | - | SEE SHEET 1 | - | - | - |
| | | | | | |
| | | | | | |

| | | | | | |
|--|--|--------------|------------------|-----------|---|
| THIS DRAWING IS A CONTROLLED DOCUMENT. | | DWN | AJ_GRAFF | 22NOV2004 | TE Connectivity NAME PLUG ASSEMBLY, FEMALE, 34 WAY UNSEALED, HYBRID SIZE CAGE CODE DRAWING NO RESTRICTED TO A100779C=1587268 CUSTOMER DRAWING SCALE NTS SHEET 2 OF 2 REV A |
| DIMENSIONS: | | CHK | K_COBLE | 22NOV2004 | |
| mm | | APVD | K_COBLE | 22NOV2004 | |
| TOLERANCES UNLESS OTHERWISE SPECIFIED: 0 PLC ±0.3 1 PLC ±0.3 2 PLC ±0.1 3 PLC ±0.1 4 PLC ±0.1 ANGLES ±0.1 FINISH ±0.1 | | PRODUCT SPEC | APPLICATION SPEC | WEIGHT | |

X-ON Electronics

Largest Supplier of Electrical and Electronic Components

Click to view similar products for te connectivity manufacturer:

Other Similar products are found below :

[570416-000](#) [CLTEQ-M81CE-SSRELAY-4-20V](#) [4-1633138-8](#) [D38999/24FJ4AN](#) [4-1195131-0](#) [650069-000](#) [SMD100-2](#) [2EDL4CM](#)
[DTS20W19-11PD-3028](#) [DTS20W19-11PD-3028-LC](#) [DTS20W19-32SD-3028-LC](#) [DTS20W19-32SD-3028](#) [NC6-P104-06](#) [TXR64AB90-](#)
[3616AI](#) [DTS26F21-41HE](#) [DTS26F21-41AE](#) [DTS26F21-41PE-LC](#) [DTS26F21-11SE-3028-LC](#) [D38999/24WF32JE](#) [D38999/24WF32SE-LC](#)
[DTS24W19-32HE](#) [D38999/20JB35HA](#) [D38999/24WJ20PA](#) [164-8033-08](#) [D38999/24FF32JE](#) [D38999/24FF32SE-LC](#) [D38999/24WF32JB](#)
[D38999/24WG11HA](#) [D38999/24WG11HN](#) [MS27467T21F11H](#) [DJT16E21-11HA](#) [DTS24F19-32HE](#) [DTS20W19-32SA-3028-LC](#) [DTS24F19-](#)
[11SC-3028-LC](#) [DTS24F19-11SC-3028](#) [DJT14E13-98HB](#) [D38999/20WC8BB](#) [1-330599-5](#) [DTS24F21-41HN-LC](#) [DTS24F21-41HN](#)
[DTS24F21-41AN](#) [DTS24F21-39HN](#) [DTS24F21-41PN-LC](#) [AFD50-10-6SN-1A-LC](#) [DJT10F17-26HC](#) [DTS24W19-32HB](#) [ACT20JE99HA](#)
[DJT10E17-26HC](#) [DJT10E17-26HN](#) [DJT10F17-26HA](#)