

4

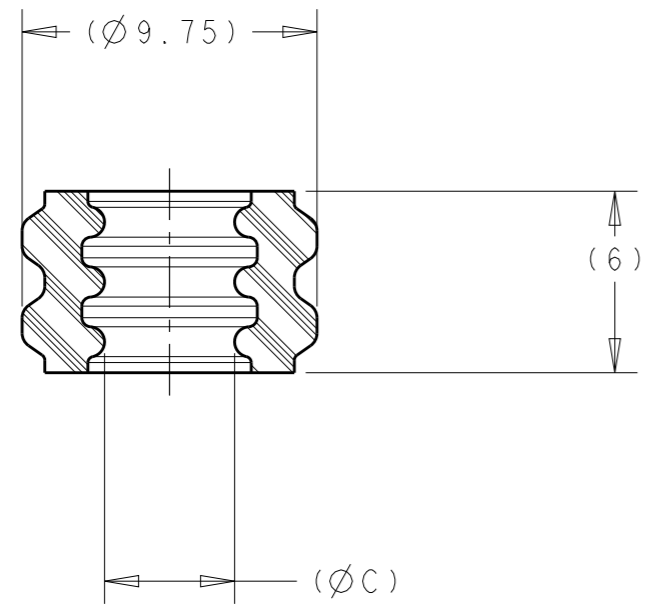
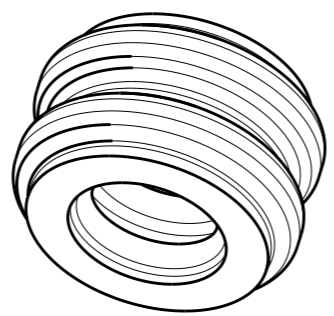
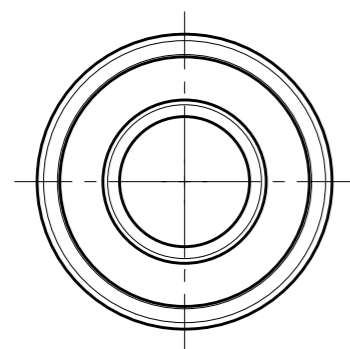
3

2

1

THIS DRAWING IS UNPUBLISHED. RELEASED FOR PUBLICATION 20
 © COPYRIGHT 20 BY TYCO ELECTRONICS CORPORATION. ALL RIGHTS RESERVED.

LOC	DIST	REVISIONS			
P	LTR	DESCRIPTION	DATE	DWN	APVD
HV	00				
		A	ECO-07-029018 / ECR-07-029589	11DEC2007	DS AT
		A1	ECO-20-008652	22JUN2020	CN AC



SECTION A - A

- MATERIAL:
 TYPE: INHERENTLY LUBRICATED SILICONE
 COLOR: SEE CHART
 DUROMETER: SEE CHART
- PART DIMENSIONS SHOWN ARE IN FREE STATE CONDITION
- FEATURES DENOTED BY REFERENCE DIMENSIONS MUST BE INSPECTED FOR PRESENCE
- PART MUST BE FREE OF EXCESSIVE FLASH, MIS-MATCH, STAINS, SCORES, SINK MARKS, OR OTHER VISUAL IMPERFECTIONS THAT MAY AFFECT PRODUCT FIT OR FUNCTION

△ 5 REMOVED

BLUE	30	3.60	CABLE SEAL, HVA	1587530-3
GREEN	50	5.20	CABLE SEAL, SIZE C-D, HVA	1587530-2
YELLOW	30	4.30	CABLE SEAL, SIZE A-B, HVA	1587530-1
COLOR	DUROMETER	ØC	DESCRIPTION	PART NO

<small>THIS DRAWING IS A CONTROLLED DOCUMENT FOR TYCO ELECTRONICS CORPORATION. IT IS SUBJECT TO CHANGE AND THE CONTROLLING ENGINEERING ORGANIZATION SHOULD BE CONTACTED FOR THE LATEST REVISION.</small>		DWN 26JAN2007 D SIMPSON	Tyco Electronics Harrisburg, PA 17105-3608
DIMENSIONS: mm		CHK 11DEC2007 A TYLER	
		APVD - J BOLEWITZ	NAME CABLE SEAL, HVA HVA TERMINATION
TOLERANCES UNLESS OTHERWISE SPECIFIED: 0 PLC ±- 1 PLC ±0.5 2 PLC ±0.13 3 PLC ±0.013 4 PLC ±0.0001 ANGLES ±-		PRODUCT SPEC -	APPLICATION SPEC -
MATERIAL NOTED		FINISH -	WEIGHT -
		CUSTOMER DRAWING	SIZE A3 CAGE CODE 00779 DRAWING NO C-1587530 RESTRICTED TO
		SCALE 4:1	SHEET 1 OF 1 REV A1

X-ON Electronics

Largest Supplier of Electrical and Electronic Components

Click to view similar products for [Automotive Connectors](#) category:

Click to view products by [TE Connectivity](#) manufacturer:

Other Similar products are found below :

[003-018-000](#) [60403001](#) [60993906-B](#) [M902-2131](#) [M902-2161](#) [72.330.1035.1](#) [73.353.4028.0](#) [F119300-B](#) [F166900](#) [F258300-B](#) [F358300-B](#)
[F407400](#) [F444110](#) [F487000](#) [F509500B-B](#) [827153-1](#) [8N1515-32-24P](#) [9-1326729-8](#) [925474-1](#) [928905-1](#) [964562-4](#) [968782-1](#) [GT17SA-8DS-](#)
[HU](#) [98891-1012](#) [98947-1016](#) [12004147](#) [12004475-L](#) [12010290](#) [12010309-B](#) [12015454](#) [12020219-B](#) [12020308](#) [12041318-B](#) [12052225-L](#)
[12052466](#) [12059125](#) [12064869](#) [12004327-B](#) [12010503-B](#) [12015308](#) [12015384](#) [12015909](#) [1-21030-1](#) [12041254](#) [12041318](#) [12047946-B](#)
[12047957](#) [12047957-L](#) [12059473](#) [12066261](#)