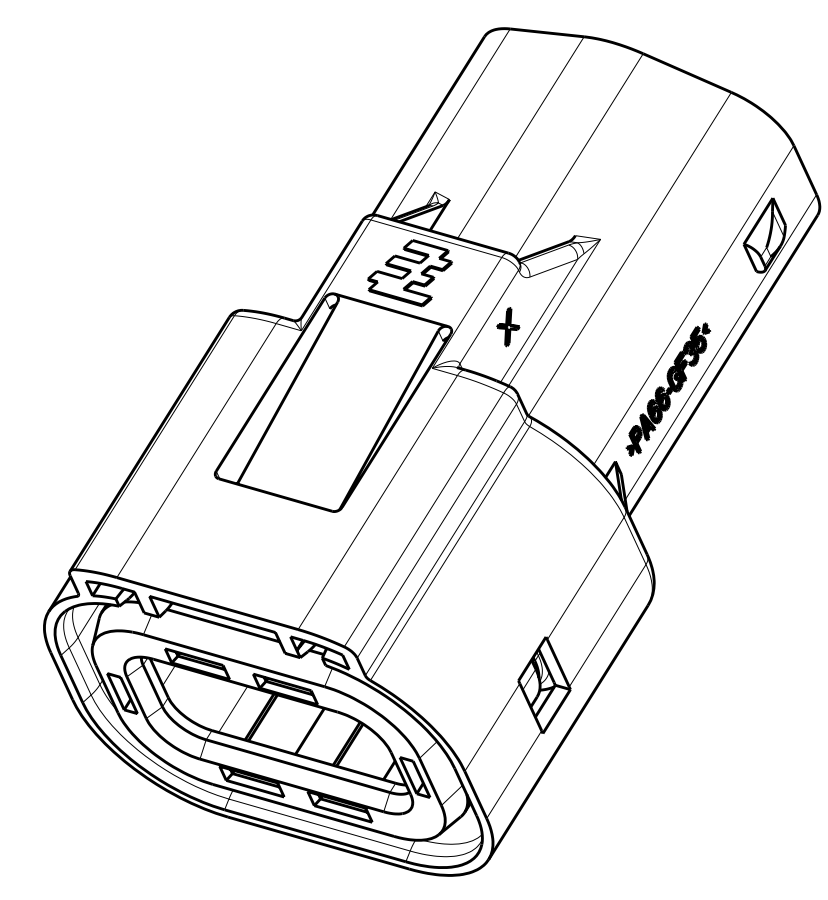
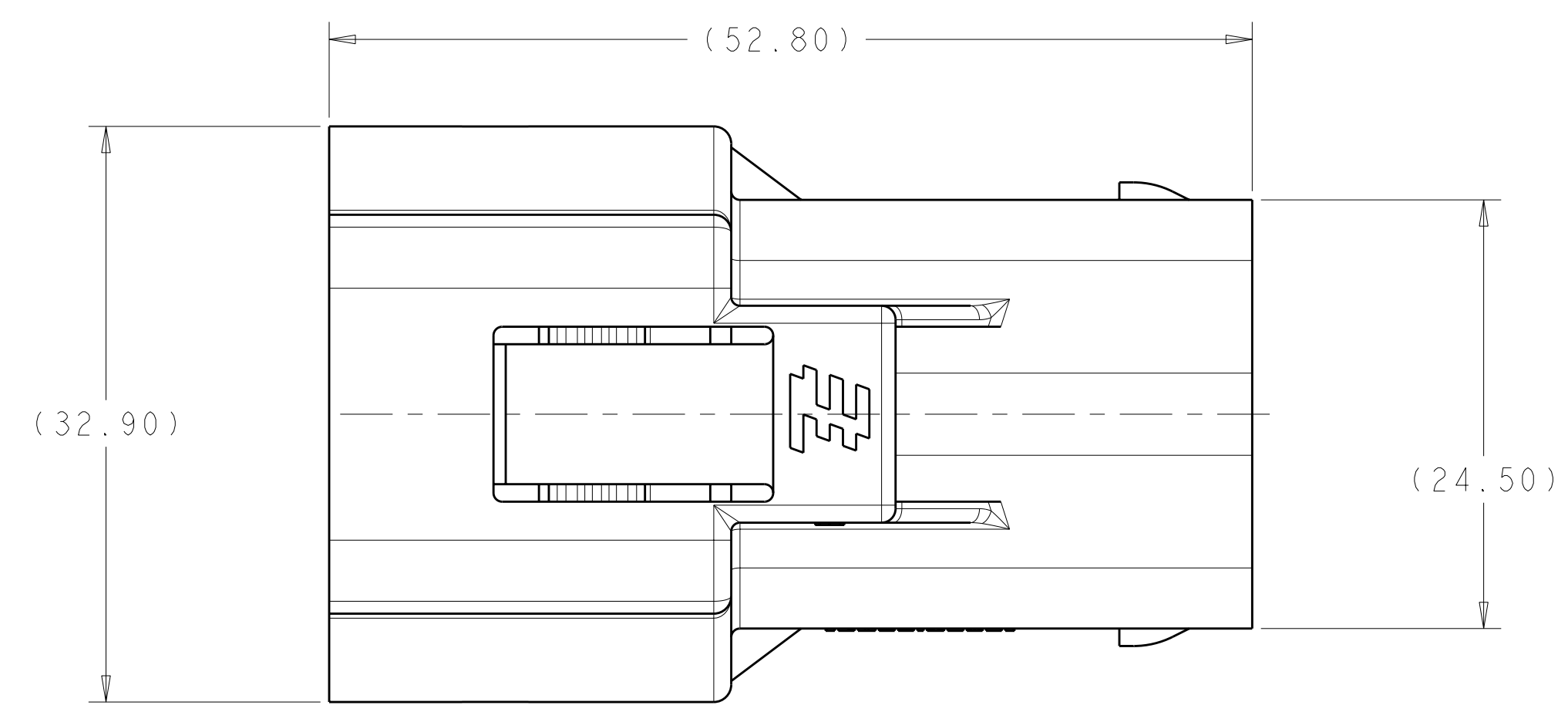
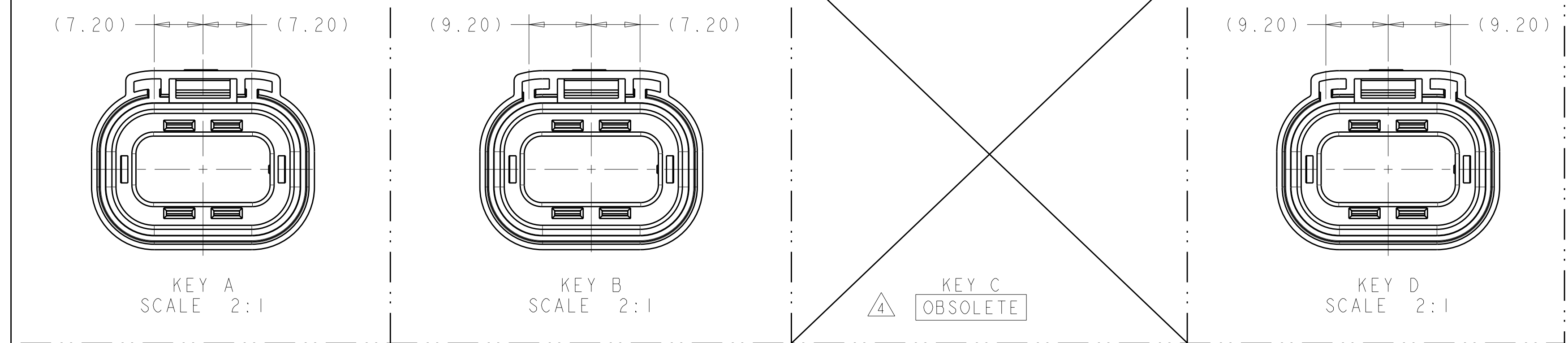
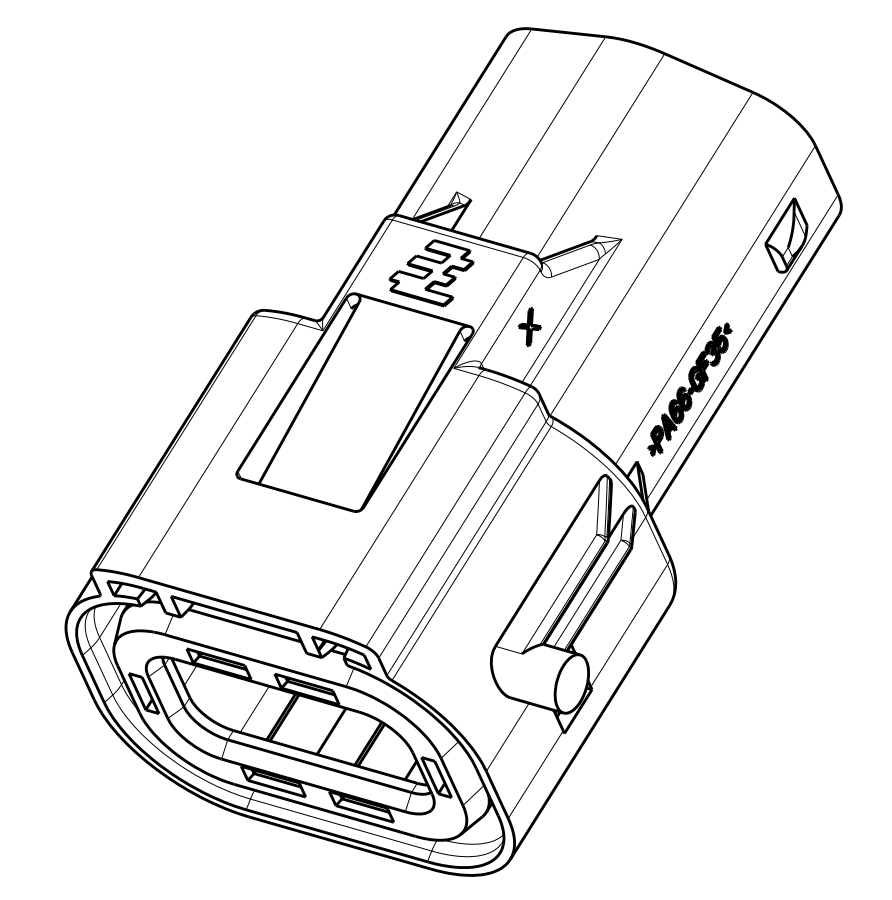


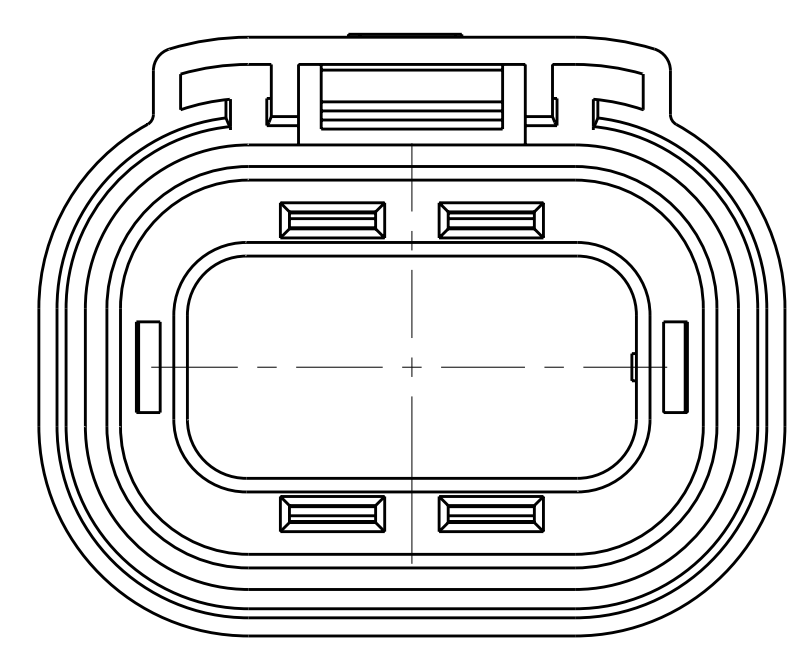
LOC	DIST	REVISIONS			
		REV	DATE	BY	APPD
HV	00	A2	ECO-11-014753	11OCT2011	DS AT



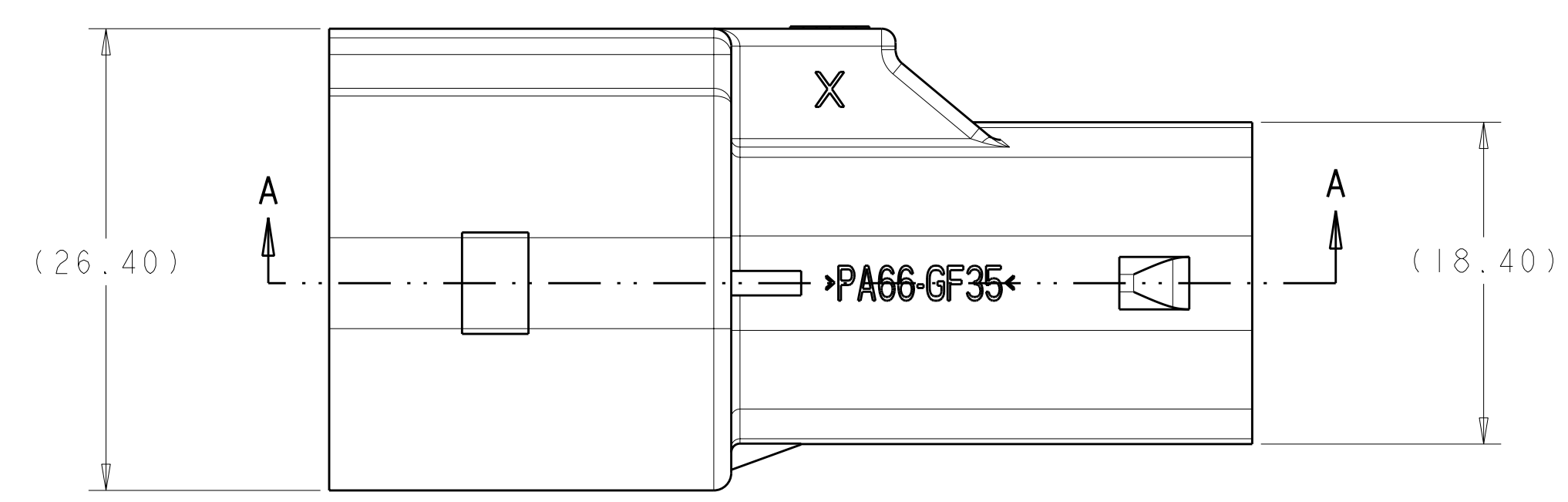
OPTION A
 WITHOUT HVIL
 KEY A SHOWN
 SCALE 2:1



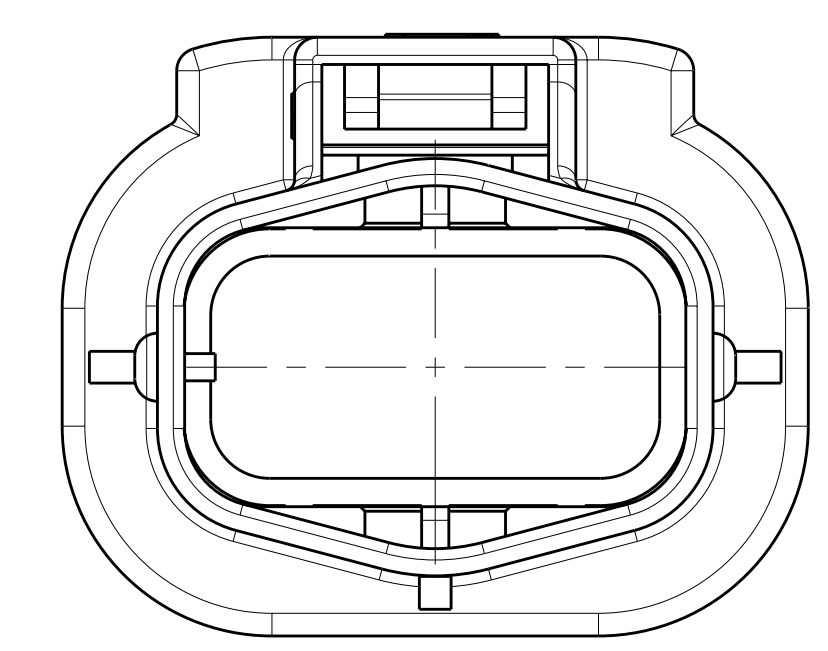
OPTION B
 WITH HVIL
 KEY A SHOWN
 SCALE 2:1



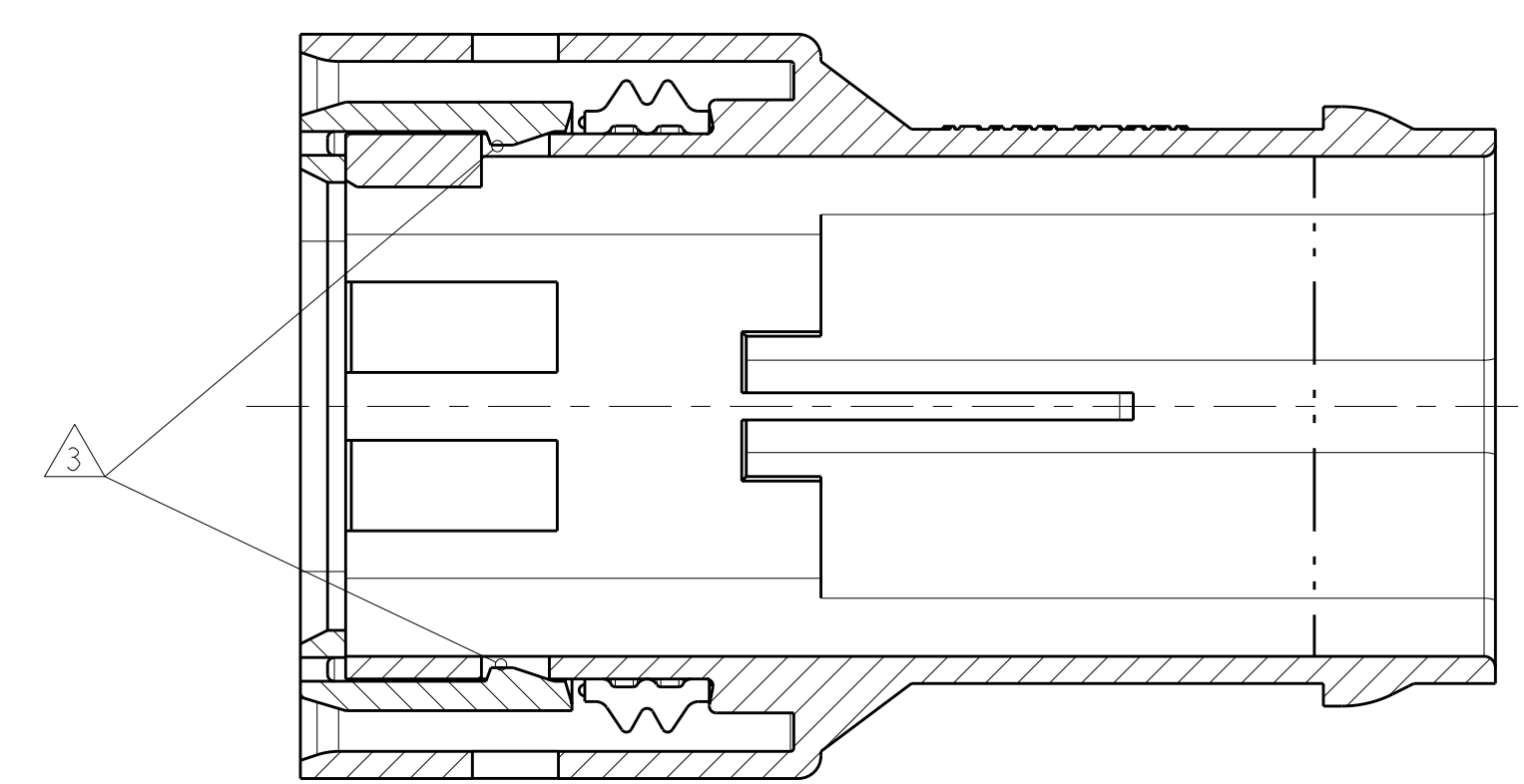
OPTION A
 WITHOUT HVIL
 KEY A SHOWN



1587715-1 AS SHOWN



- CONNECTOR MUST BE FREE OF ANY MECHANICAL DEFECTS WHICH COULD NEGATIVELY AFFECT FIT, FUNCTION, OR PERFORMANCE
- THIS SUBASSY IS USED IN CONNECTOR SHOWN ON DRAWING 1587714
- SEAL RETAINER MUST BE FULLY LOCKED IN TWO LOCATIONS
- PRELIMINARY PART—NOT RELEASED FOR PRODUCTION



SECTION A-A

DESCRIPTION	PART NO
HOUSING OUTER, PLUG, KEY D, >FVMQ< SEAL	1-1587715-2
- OBSOLETE -	1-1587715-1
HOUSING OUTER, PLUG, KEY B, >FVMQ< SEAL	1-1587715-0
HOUSING OUTER, PLUG, KEY A, >FVMQ< SEAL	1587715-9
HOUSING OUTER, PLUG, KEY D, WITH HVIL	1587715-8
- OBSOLETE -	1587715-7
HOUSING OUTER, PLUG, KEY B, WITH HVIL	1587715-6
HOUSING OUTER, PLUG, KEY A, WITH HVIL	1587715-5
HOUSING OUTER, PLUG, KEY D	1587715-4
- OBSOLETE -	1587715-3
HOUSING OUTER, PLUG, KEY B	1587715-2
HOUSING OUTER, PLUG, KEY A	1587715-1

THIS DRAWING IS A CONTROLLED DOCUMENT.		DWN: D SIMPSON 02JUN2008		TE Connectivity PLUG SUBASSY, HVA280-3PM CHART	
DIMENSIONS: mm		CHK: A TYLER 02JUN2008			
TOLERANCES UNLESS OTHERWISE SPECIFIED:		APVD: -		NAME: PLUG SUBASSY, HVA280-3PM	
9 PLC ±0.5		PRODUCT SPEC: 108-2395		SIZE: CAGE CODE: DRAWING NO: 114-13253	
3 PLC ±0.13		APPLICATION SPEC: 114-13253		RESTRICTED TO: -	
5 PLC ±0.013		WEIGHT: -		A100779C=1587715	
4 PLC ±0.001		CUSTOMER DRAWING		SCALE: 2 SHEET 1 OF 1 REV: A2	
ANGLES ±0.0001					
FINISH: -					

X-ON Electronics

Largest Supplier of Electrical and Electronic Components

Click to view similar products for [Automotive Connectors](#) category:

Click to view products by [TE Connectivity](#) manufacturer:

Other Similar products are found below :

[003-018-000](#) [60403001](#) [60993906-B](#) [M902-2131](#) [M902-2161](#) [M902-2344](#) [72.330.1035.1](#) [73.353.4028.0](#) [F119300-B](#) [F166900](#) [F258300-B](#)
[F358300-B](#) [F407400](#) [F444110](#) [F487000](#) [F509500B-B](#) [827153-1](#) [8N1515-32-24P](#) [9-1326729-8](#) [925474-1](#) [928905-1](#) [964562-4](#) [968782-1](#)
[GT17SA-8DS-HU](#) [98891-1012](#) [98947-1016](#) [12004147](#) [12004475-L](#) [12010290](#) [12015454](#) [12020219-B](#) [12041318-B](#) [12052225-L](#) [12052466](#)
[12064869](#) [12004327-B](#) [12015308](#) [12015384](#) [12015909](#) [1-21030-1](#) [12041254](#) [12041318](#) [12047946-B](#) [12047957](#) [12047957-L](#) [12059473](#)
[12066261](#) [12110546](#) [12110546-B](#) [12131792](#)