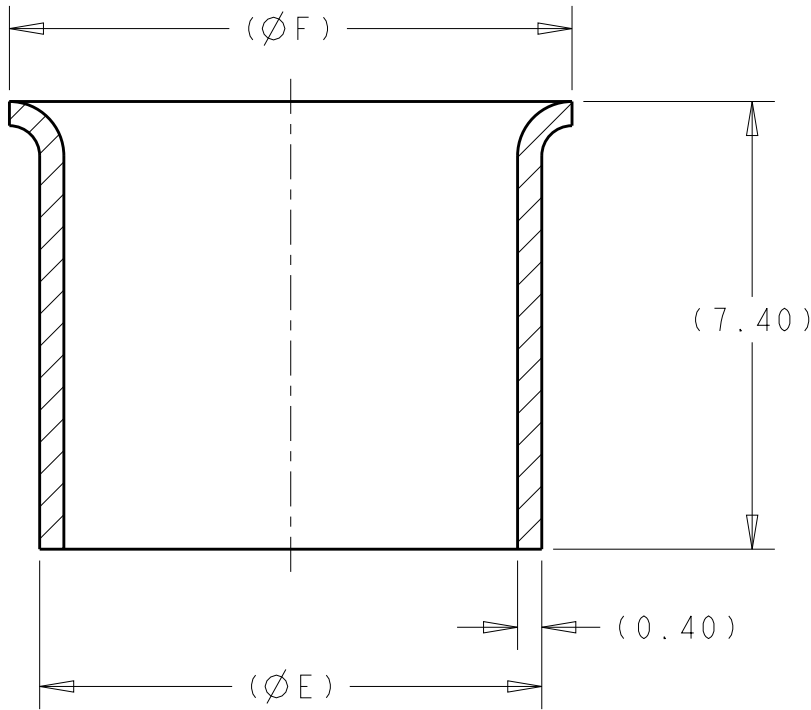


LOC	DIST	REVISIONS					
HV	00	P	LTR	DESCRIPTION	DATE	DWN	APVD
			A1	ECO-10-022743	05NOV2010	DR	DR
			A2	ECO-11-024207	02DEC2011	DR	DR
			A3	ECO-13-012771	08AUG2013	DR	DR



SECTION A - A

1. MATERIAL:
TYPE: COPPER ALLOY
2. FINISH:
UNDERPLATE TYPE: NICKEL
TOP PLATE TYPE: TIN
3. PARTS MUST BE FREE OF EXCESSIVE BURRS,
CRACKS, OR OTHER VISUAL IMPERFECTIONS
THAT MAY AFFECT FIT FORM OR FUNCTION

11.3	10.30	0.89g	A	1587723-3
10.3	9.30	0.80g	A	1587723-2
9.3	8.30	0.68g	A	1587723-1
F	E	WEIGHT	REV	PART NO

20
RELEASED FOR PUBLICATION

ALL RIGHTS RESERVED.
BY TYCO ELECTRONICS CORPORATION.

© COPYRIGHT 20

THIS DRAWING IS UNPUBLISHED.

DIMENSIONS: mm	DWN D SIMPSON	02JUN2008	MATERIAL	1	FINISH	
	CHK A TYLER	05JUN2008				
TOLERANCES UNLESS OTHERWISE SPECIFIED:	APVD J. BOLEWITZ	05JUN2008				NAME INNER FERRULE HVA280 MULTI-CORE
0 PLC ±	PRODUCT SPEC		SIZE	CAGE CODE	DRAWING NO	RESTRICTED TO
1 PLC ±0.15	APPLICATION SPEC		A 4	00779	C-1587723	
2 PLC ±0.1	WEIGHT		SEE TABLE			
3 PLC ±	CUSTOMER DRAWING		SCALE	8:1	SHEET	1 OF 1
4 PLC ±			REV A3			
ANGLES ±1°						

X-ON Electronics

Largest Supplier of Electrical and Electronic Components

Click to view similar products for [Automotive Connectors](#) category:

Click to view products by [TE Connectivity](#) manufacturer:

Other Similar products are found below :

[003-018-000](#) [60403001](#) [60993906-B](#) [M902-2131](#) [M902-2161](#) [M902-2344](#) [72.330.1035.1](#) [73.353.4028.0](#) [F119300-B](#) [F166900](#) [F258300-B](#)
[F358300-B](#) [F407400](#) [F444110](#) [F487000](#) [F509500B-B](#) [827153-1](#) [8N1515-32-24P](#) [9-1326729-8](#) [925474-1](#) [928905-1](#) [964562-4](#) [968782-1](#)
[GT17SA-8DS-HU](#) [98891-1012](#) [98947-1016](#) [12004147](#) [12004475-L](#) [12010290](#) [12010309-B](#) [12015454](#) [12020219-B](#) [12041318-B](#) [12052225-](#)
[L](#) [12052466](#) [12064869](#) [12004327-B](#) [12015308](#) [12015384](#) [12015909](#) [1-21030-1](#) [12041254](#) [12041318](#) [12047946-B](#) [12047957](#) [12047957-L](#)
[12059473](#) [12066261](#) [12110546](#) [12110546-B](#)