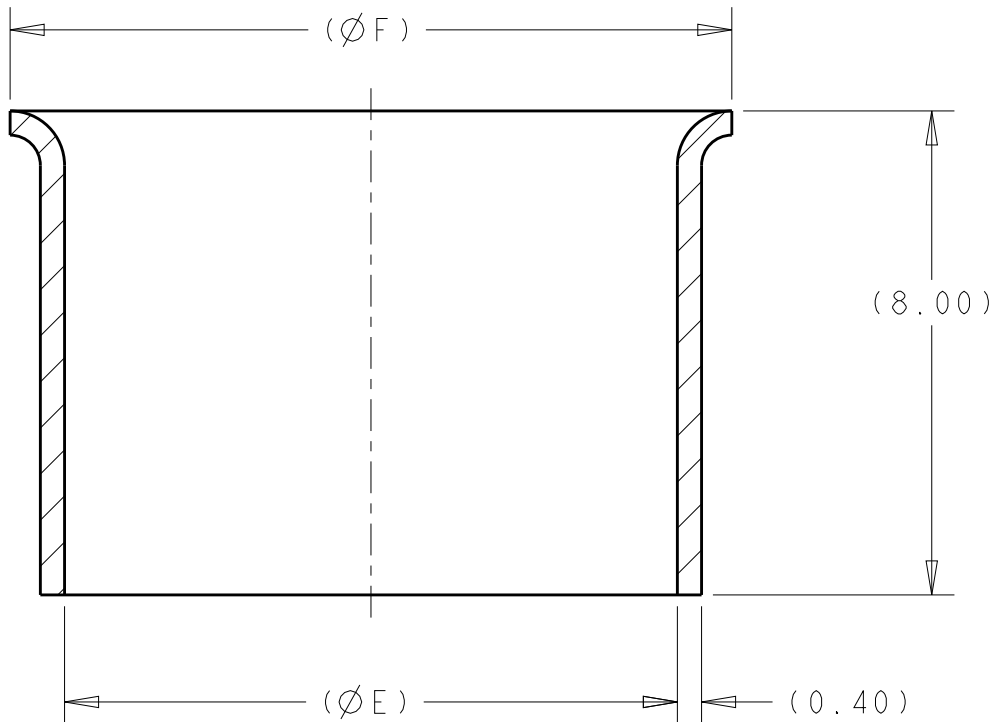


LOC HV	DIST 00	REVISIONS				
P	LTR	DESCRIPTION	DATE	DWN	APVD	
	A1	ECO-10-022743	05NOV2010	DR	DR	
	A2	ECO-11-024207	02DEC2011	DR	DR	
	A3	ECO-13-012771	08AUG2013	DR	DR	

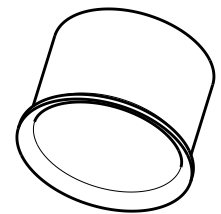


SECTION A - A

1 MATERIAL:
TYPE: COPPER ALLOY

2. FINISH:
UNDERPLATE TYPE: NICKEL
TOP PLATE TYPE: TIN

3. PARTS MUST BE FREE OF EXCESSIVE BURRS,
CRACKS, OR OTHER VISUAL IMPERFECTIONS
THAT MAY AFFECT FIT FORM OR FUNCTION



SCALE 2:1

13.93	12.13	1.26g	A	1587724-3
12.93	11.13	1.15g	A	1587724-2
11.93	10.13	1.00g	A	1587724-1
F	E	WEIGHT	REV	PART NO

THIS DRAWING IS UNPUBLISHED.
 RELEASED FOR PUBLICATION 20
 BY TYCO ELECTRONICS CORPORATION
 ALL RIGHTS RESERVED.
 COPYRIGHT 20

DIMENSIONS: mm	DWN D SIMPSON 02JUN2008	MATERIAL	FINISH	
TOLERANCES UNLESS OTHERWISE SPECIFIED:	CHK A TYLER 02JUN2008			
0 PLC ±	APVD J. BOLEWITZ 02JUN2008	NAME OUTER FERRULE HVA280 MULTI-CORE		
1 PLC ±0.15	PRODUCT SPEC	SIZE	CAGE CODE	DRAWING NO
2 PLC ±0.10	APPLICATION SPEC	A 4	00779	C-1587724
3 PLC ±	WEIGHT	RESTRICTED TO		
4 PLC ±	SEE TABLE	SCALE 8:1 SHEET 1 OF 1 REV A3		
ANGLES ±1°	CUSTOMER DRAWING			

X-ON Electronics

Largest Supplier of Electrical and Electronic Components

Click to view similar products for [Automotive Connectors](#) category:

Click to view products by [TE Connectivity](#) manufacturer:

Other Similar products are found below :

[003-018-000](#) [60403001](#) [60993906-B](#) [M902-2131](#) [M902-2161](#) [M902-2344](#) [72.330.1035.1](#) [73.353.4028.0](#) [F119300-B](#) [F166900](#) [F258300-B](#)
[F358300-B](#) [F407400](#) [F444110](#) [F487000](#) [F509500B-B](#) [827153-1](#) [8N1515-32-24P](#) [9-1326729-8](#) [925474-1](#) [928905-1](#) [964562-4](#) [968782-1](#)
[GT17SA-8DS-HU](#) [98891-1012](#) [98947-1016](#) [12004147](#) [12004475-L](#) [12010290](#) [12015454](#) [12020219-B](#) [12041318-B](#) [12052225-L](#) [12052466](#)
[12064869](#) [12004327-B](#) [12015308](#) [12015384](#) [12015909](#) [1-21030-1](#) [12041254](#) [12041318](#) [12047946-B](#) [12047957](#) [12047957-L](#) [12059473](#)
[12066261](#) [12110546](#) [12110546-B](#) [12131792](#)