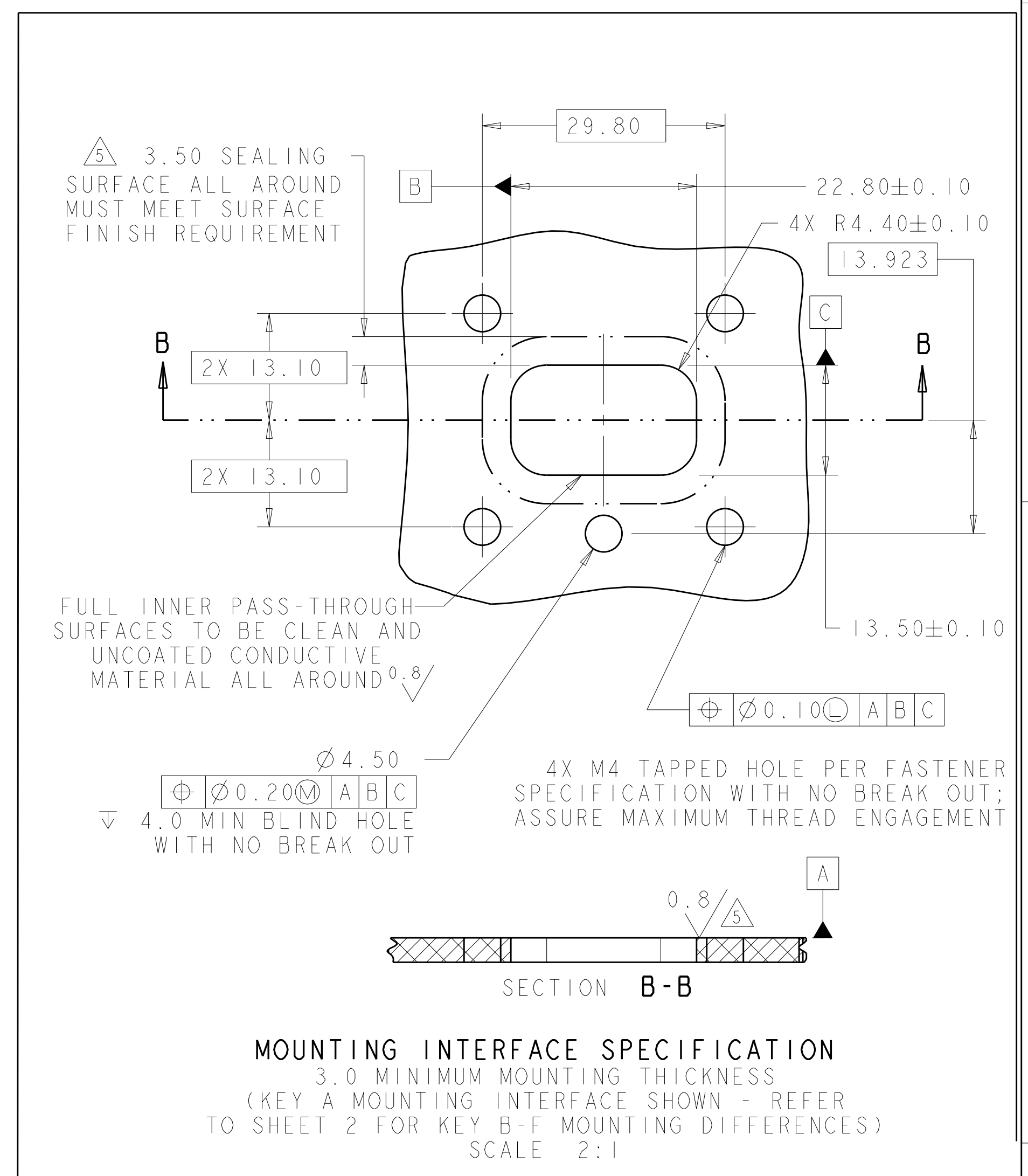
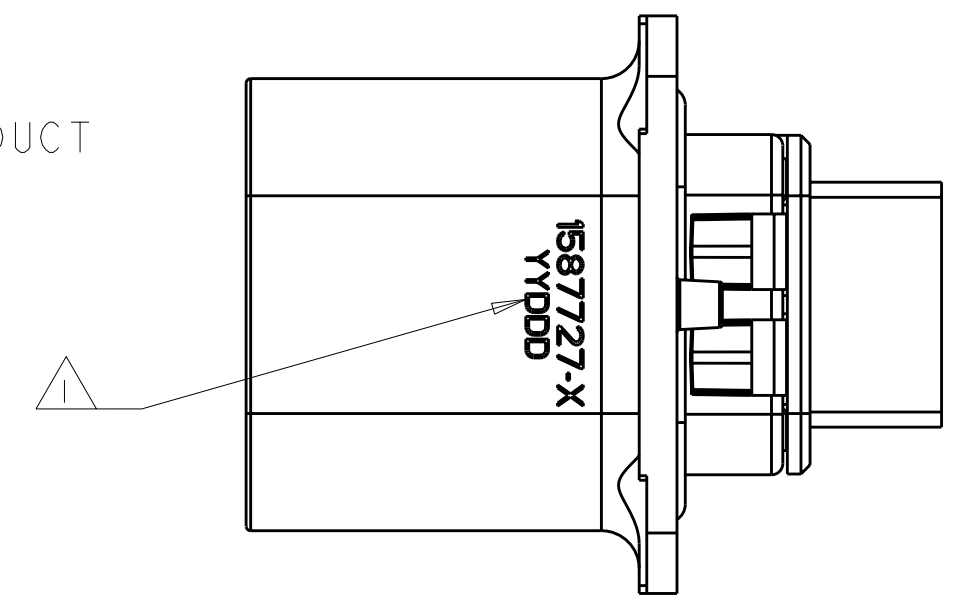
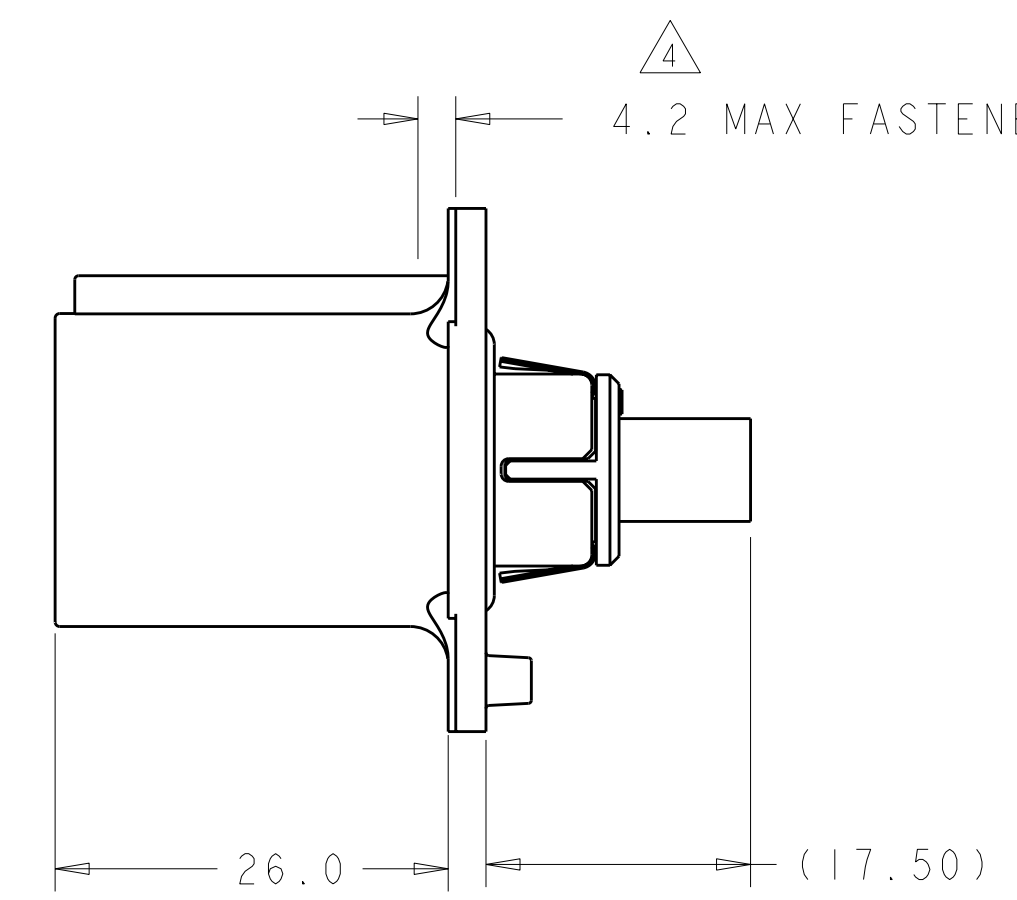
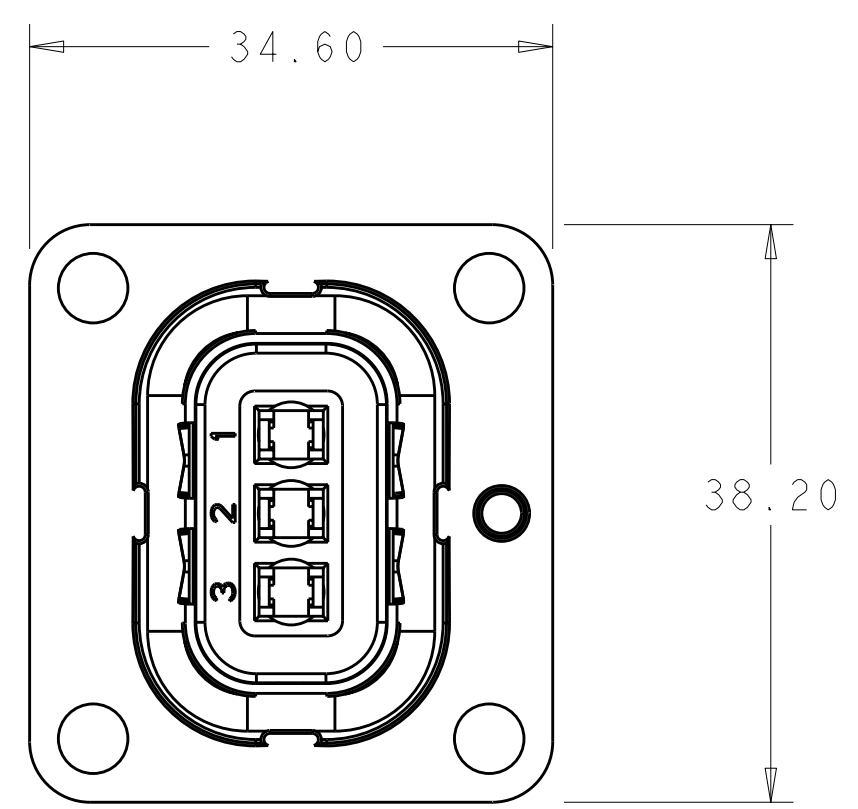
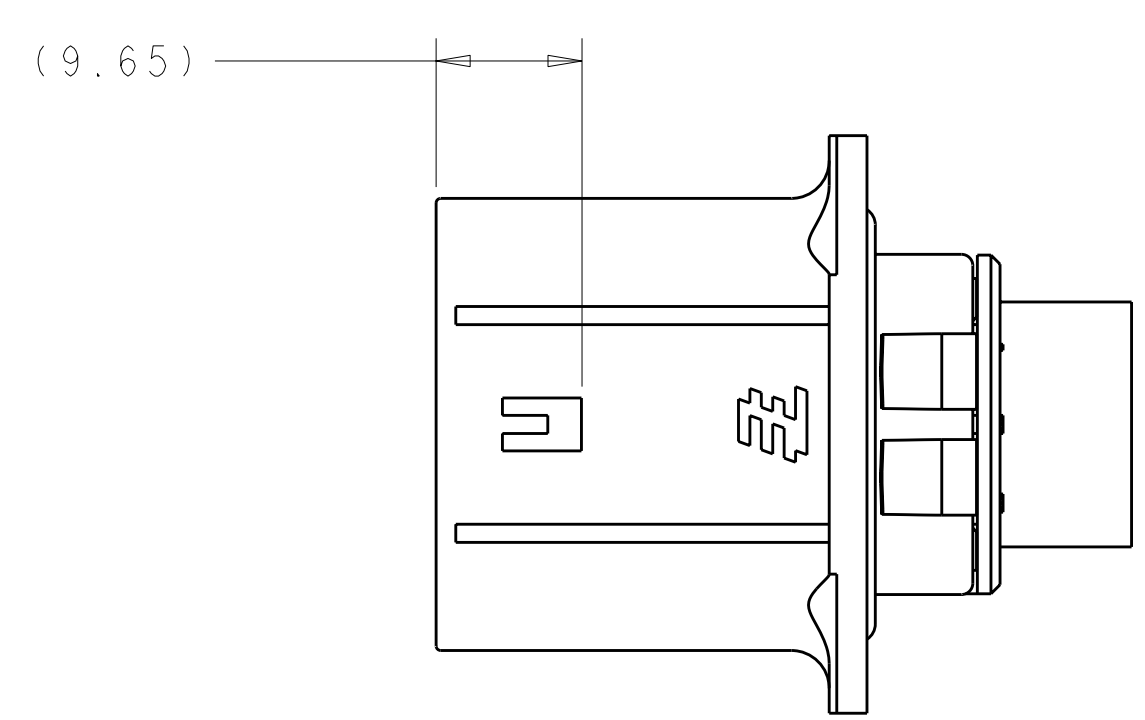
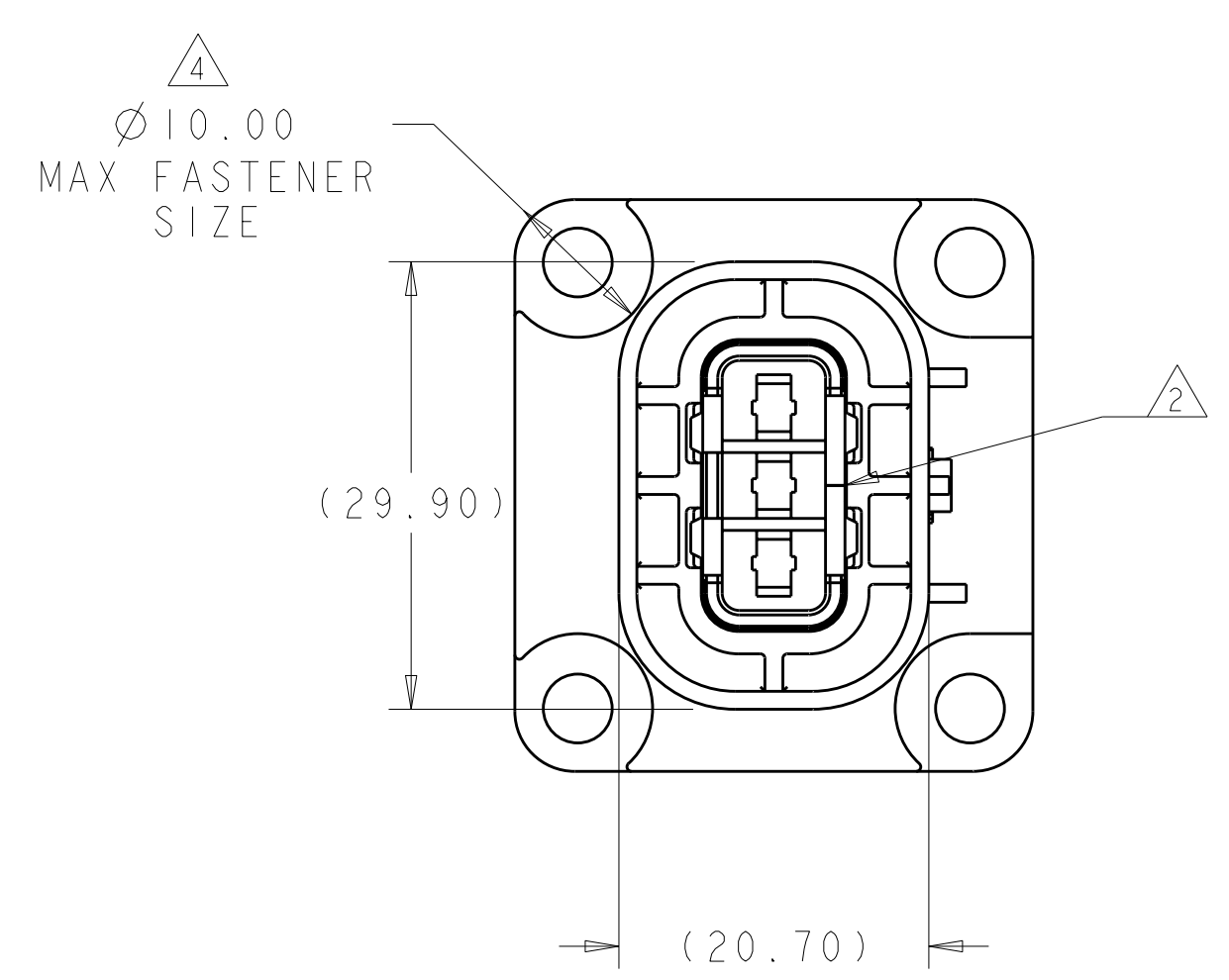
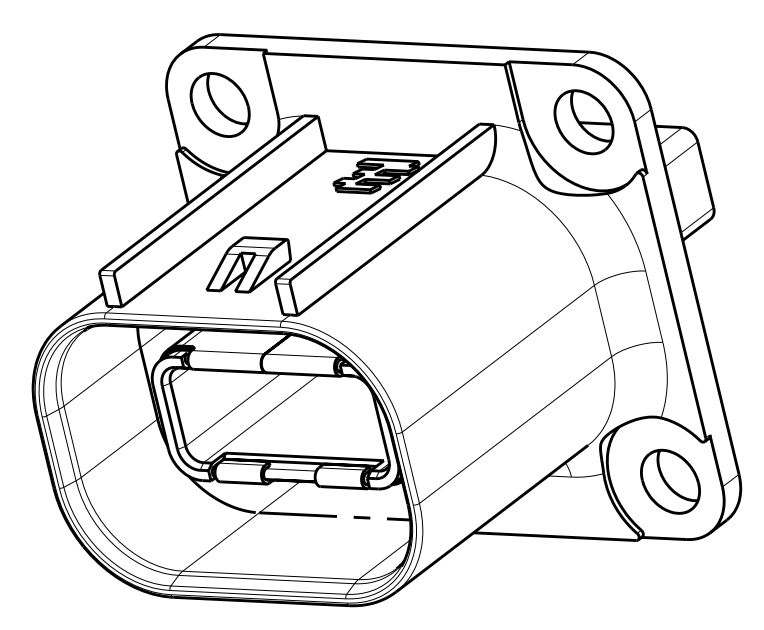


LOC	DIST	REV	DATE	BY	APPV
HV	00	C1	13OCT2011	DS	TD

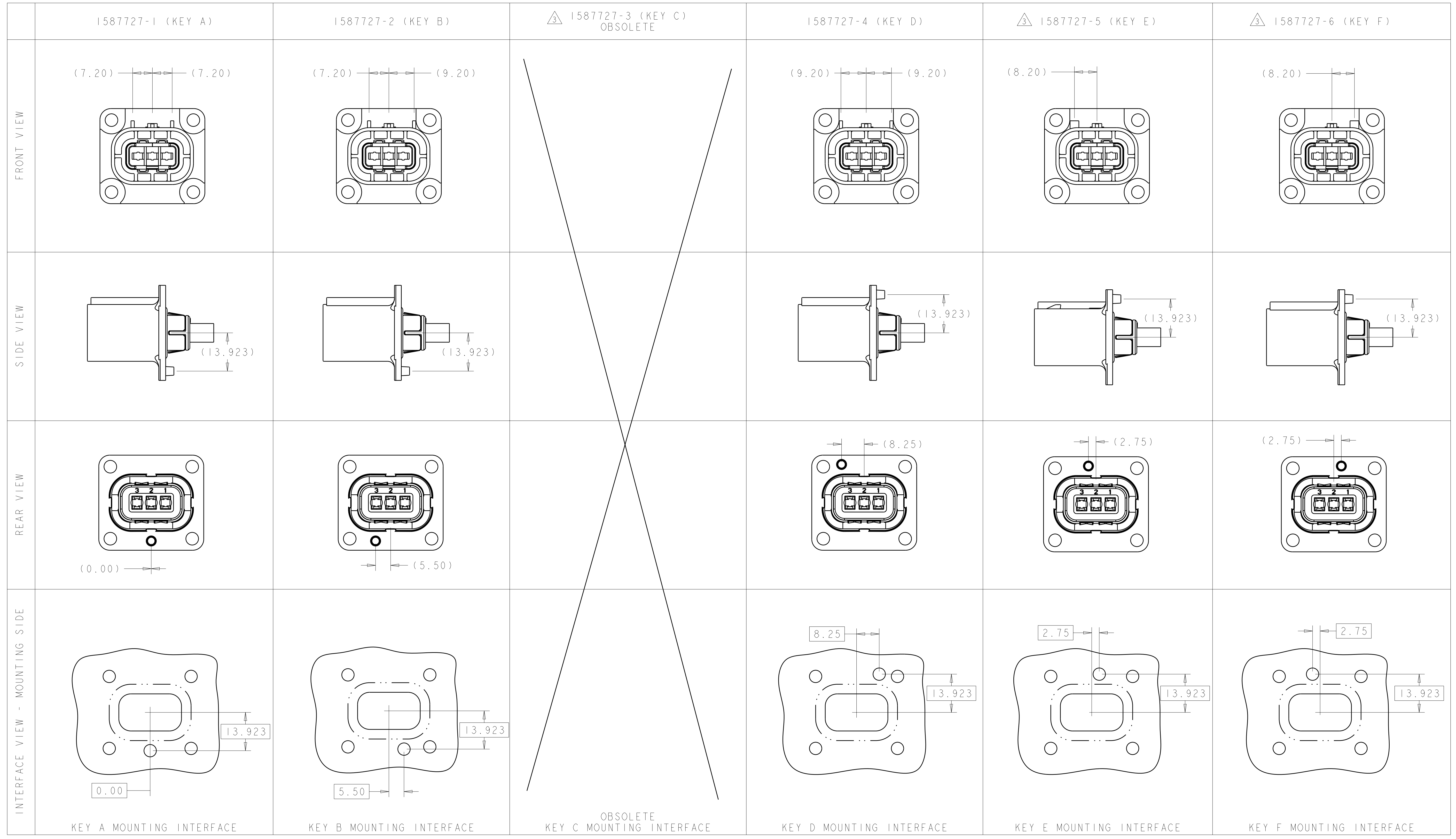


- 1 IDENTIFICATION MARKING ON THIS SURFACE CONTAINS ASSEMBLY P/N AND DATE CODE (YYDD). TEXT ORIENTATION, SIZE, AND LOCATION CAN VARY AS LONG AS TEXT IS ON SURFACE SHOWN AND READABLE.
- 2 SHIELD SEAM CAN BE POSITIONED AS SHOWN OR ROTATED 180° FROM POSITION SHOWN.
- 3 PRELIMINARY PART - NOT RELEASED FOR PRODUCTION
- 4 THESE DIMENSIONS DEFINE FASTENER SIZE LIMITS FOR PROPER COMPONENT FUNCTIONALITY. THESE ARE NOT PRODUCT FEATURES - NO INSPECTION REQUIRED FOR THESE ITEMS.

3	F	1587727-6
3	E	1587727-5
	D	1587727-4
3	<del>C</del>	<del>1587727-3</del>
	B	1587727-2
	A	1587727-1
	INDEX	PART NO

THIS DRAWING IS A CONTROLLED DOCUMENT.		DWN: D. SIMPSON 31JAN2008	TE Connectivity	
DIMENSIONS: mm		CHK: T. DEWILTE	HVA 280 3P HEADER ASSY	
TOLERANCES UNLESS OTHERWISE SPECIFIED:		APVD: T. DEWILTE 01APR2008	CHART DRAWING	
0 PLC	±	PRODUCT SPEC	SIZE	CAGE CODE
1 PLC	±0.5	108-2395	A100779	C=1587727
2 PLC	±0.10	APPLICATION SPEC	SCALE	2:1
3 PLC	±0.013	408-10273	SHEET	1 OF 2
4 PLC	±0.0001	WEIGHT	24.26 g	REV
ANGLES	±	CUSTOMER DRAWING		C1

LOC	DIST	REVISIONS			
REV	DATE	DESCRIPTION	DATE	BY	APPD
00		SEE SHEET 1			



THIS DRAWING IS A CONTROLLED DOCUMENT.		DWN: D. SIMPSON 31JAN2008 CHK: T. DEWILTE APVD: T. DEWILTE 01APR2008	TE Connectivity HVA 280 3P HEADER ASSY CHART DRAWING
DIMENSIONS: mm TOLERANCES UNLESS OTHERWISE SPECIFIED: 9 PLC ±0.5 1 PLC ±0.10 5 PLC ±0.013 4 PLC ±0.0001 ANGLES ±0.0001	PRODUCT SPEC: 108-2395 APPLICATION SPEC: 408-10273 WEIGHT: 24.26 g	SIZE: CAGE CODE DRAWING NO: A100779 DRAWING NO: C=1587727 RESTRICTED TO: - SCALE: 2:1 SHEET 2 OF 2 REV: C1	

## X-ON Electronics

Largest Supplier of Electrical and Electronic Components

*Click to view similar products for [Automotive Connectors](#) category:*

*Click to view products by [TE Connectivity](#) manufacturer:*

Other Similar products are found below :

[003-018-000](#) [600858](#) [60403001](#) [60993906-B](#) [60993913-B](#) [629515004020001](#) [M83723/71R1808N L/C](#) [M902-2131](#) [M902-2161](#) [M902-2344](#)  
[72.330.1035.1](#) [73.353.4028.0](#) [F118010](#) [F119300-B](#) [F132210](#) [F166900](#) [F180100](#) [F258300](#) [F258300-B](#) [F294300-B](#) [F339100](#) [F339700](#)  
[F358300-B](#) [F374110](#) [F407400](#) [F412210](#) [F444110](#) [F487000](#) [F495100](#) [F500900-B](#) [F509500B-B](#) [770444-1](#) [827153-1](#) [881735-1](#)  
[8N1515-32-24P](#) [9-1326729-8](#) [925467-1](#) [925474-1](#) [928905-1](#) [936398-2](#) [964562-4](#) [964731-2](#) [968782-1](#) [GT17SA-8DS-HU](#) [GT17VS-10DP-](#)  
[5.2CF](#) [98315-0001](#) [98315-0010](#) [98891-1012](#) [98895-2014](#) [98936-1039](#)