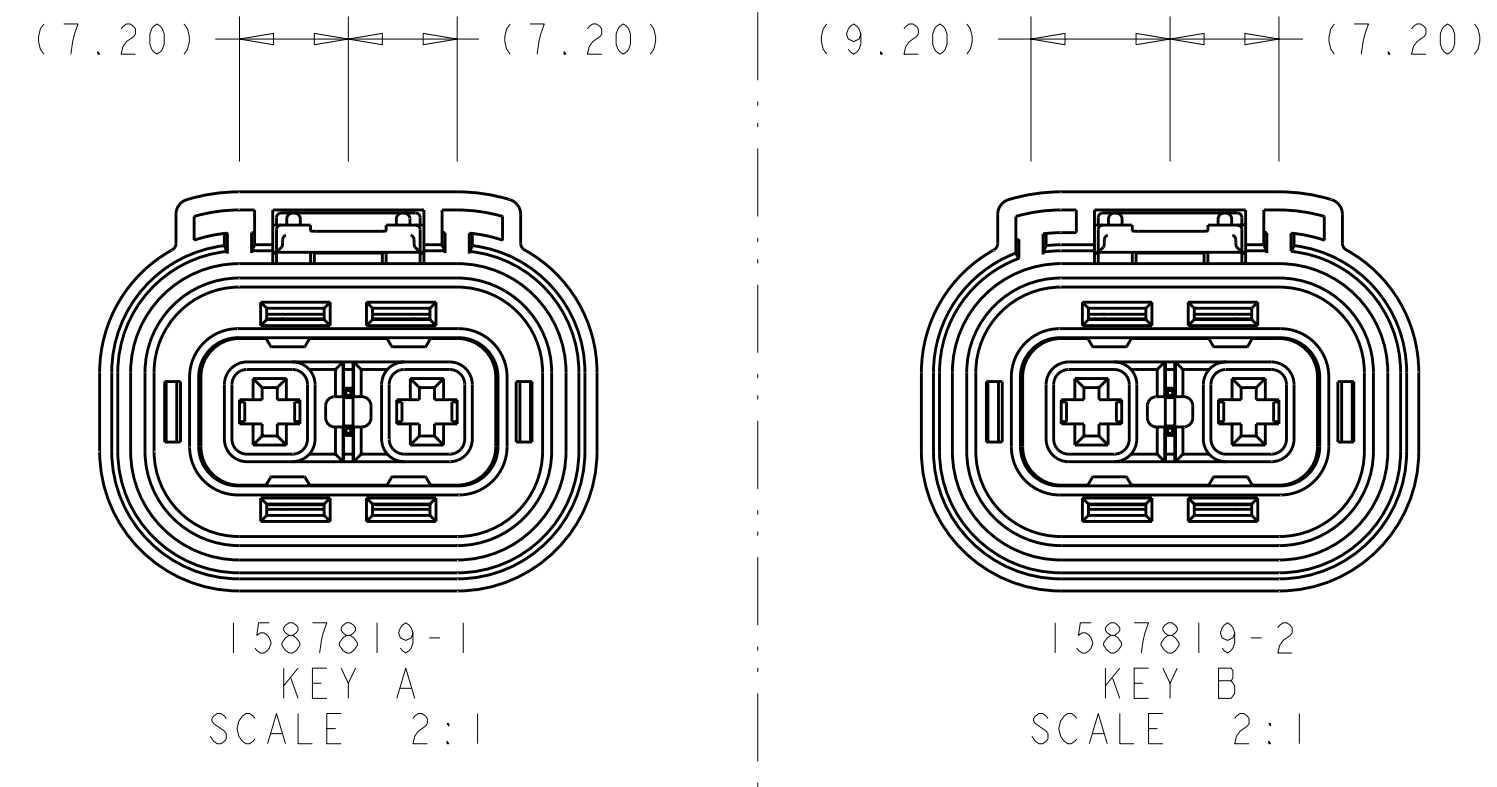
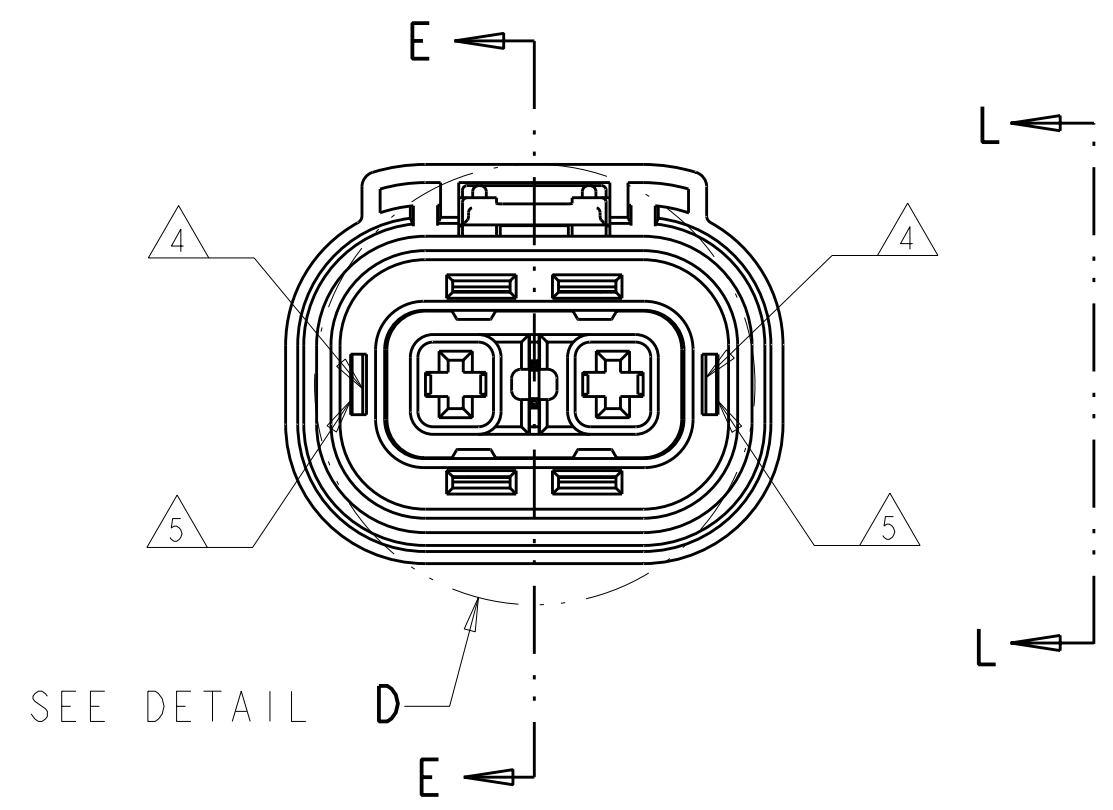
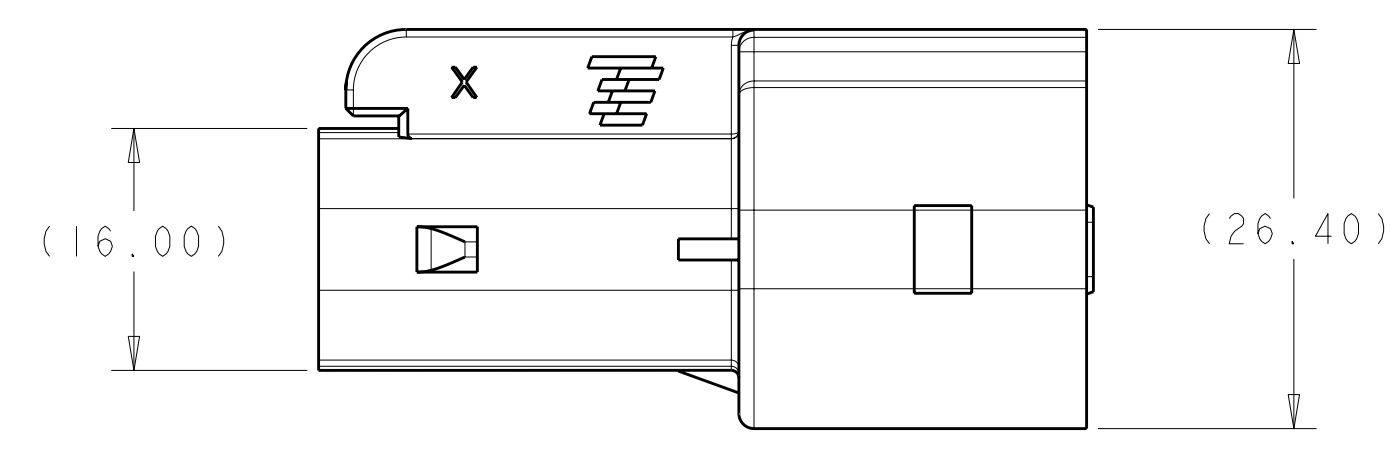
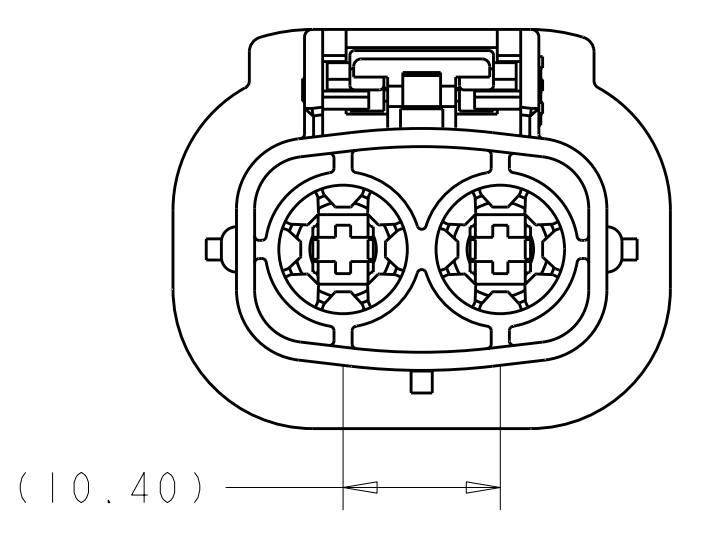
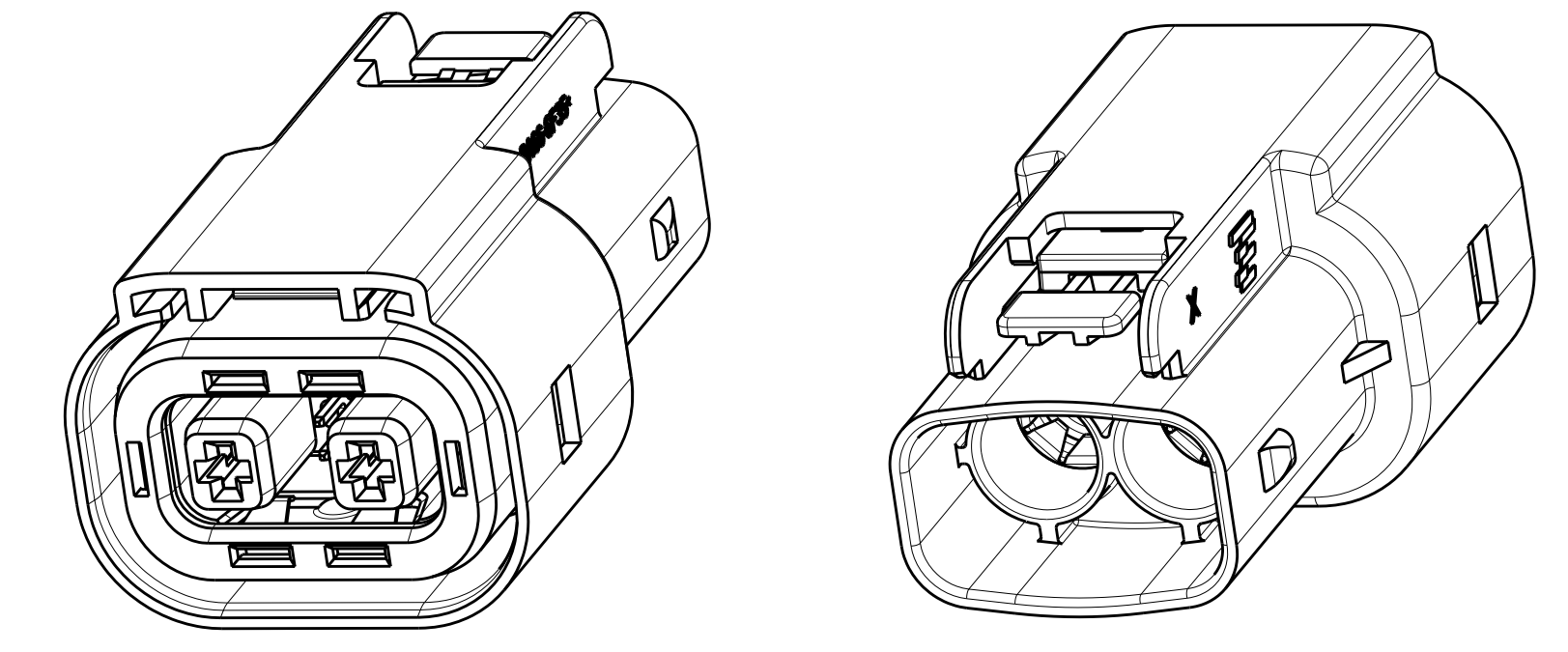
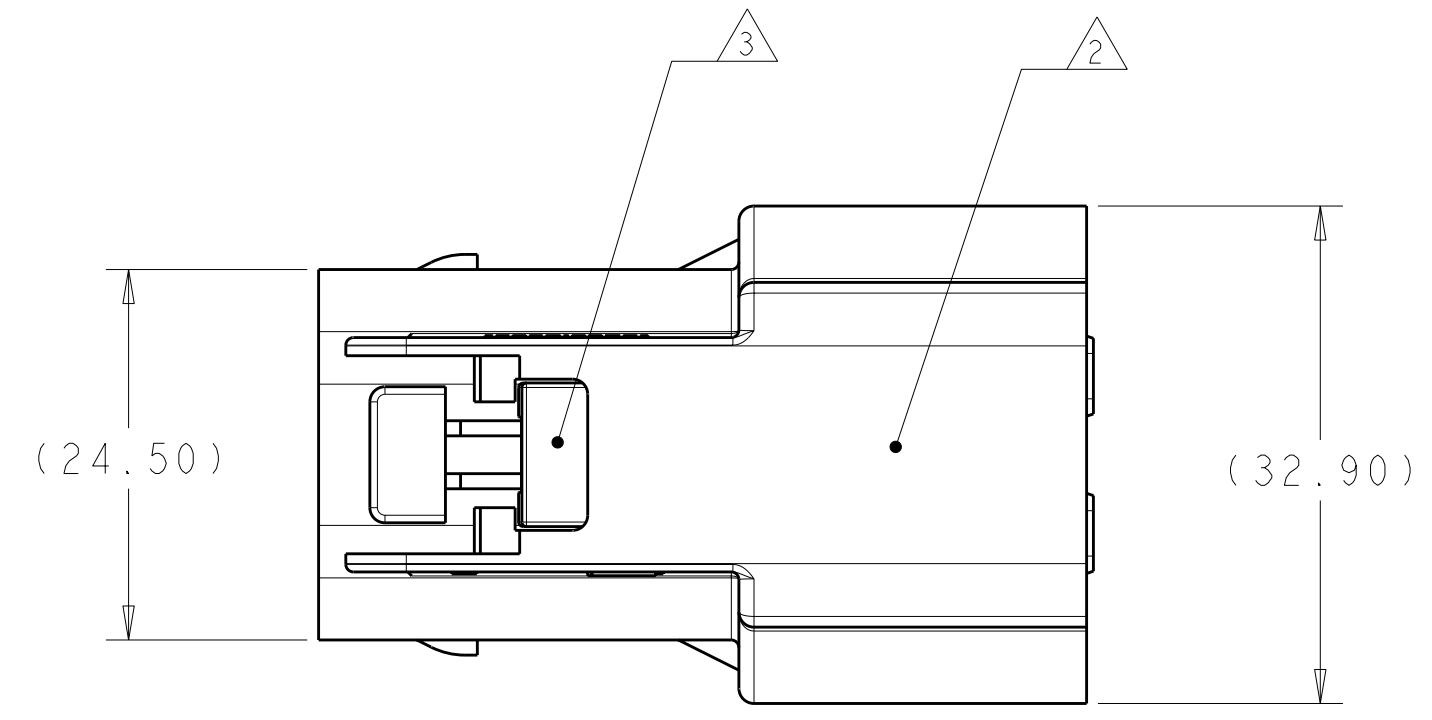
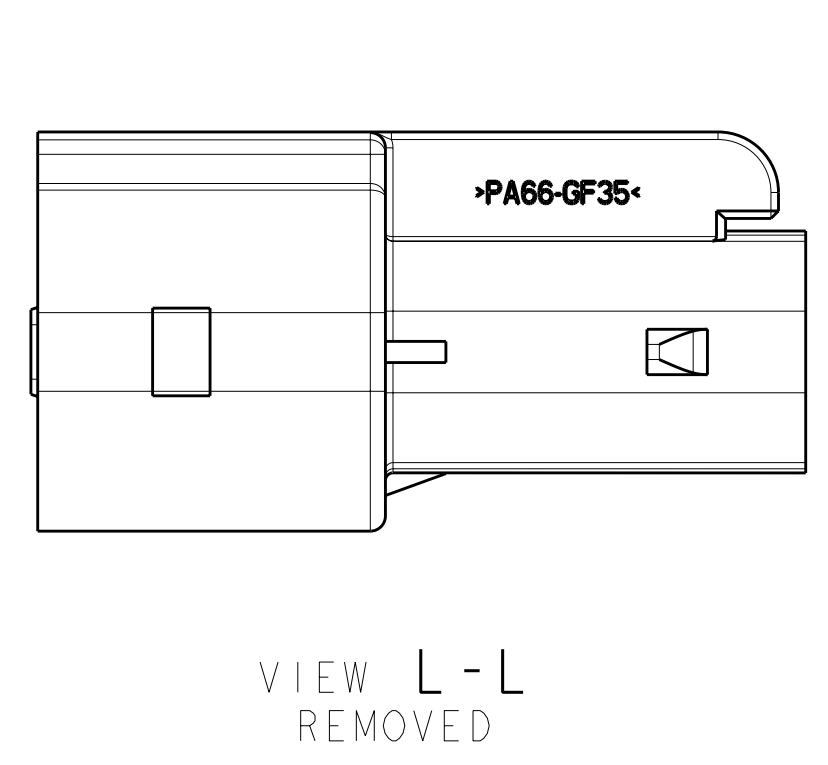
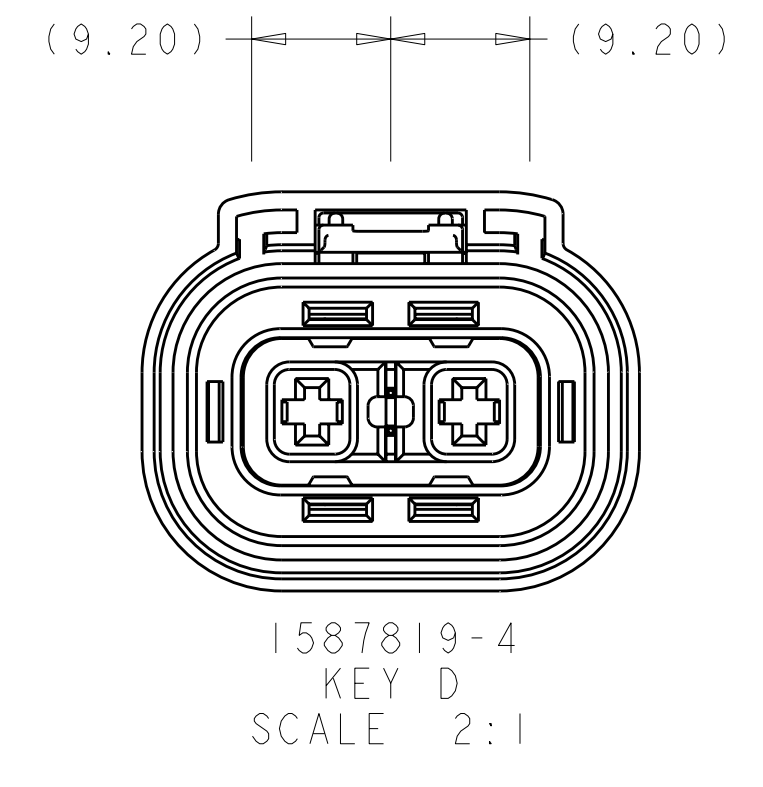


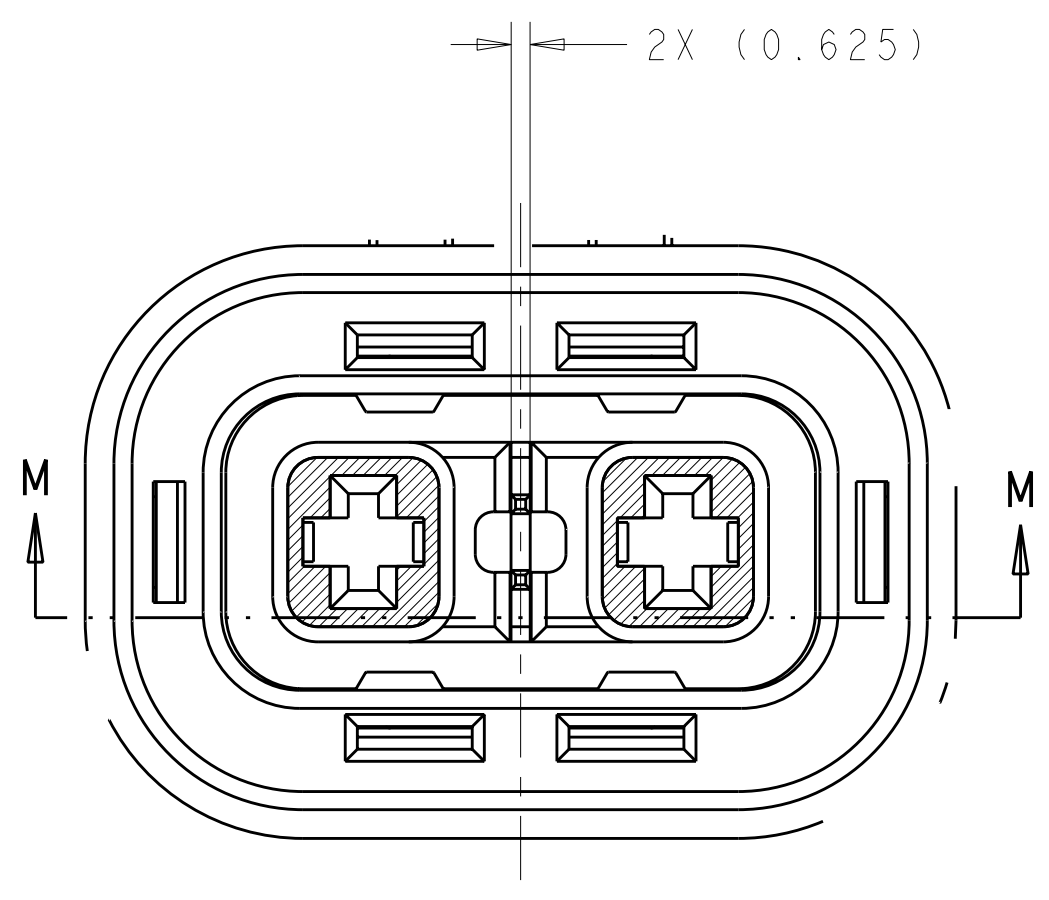
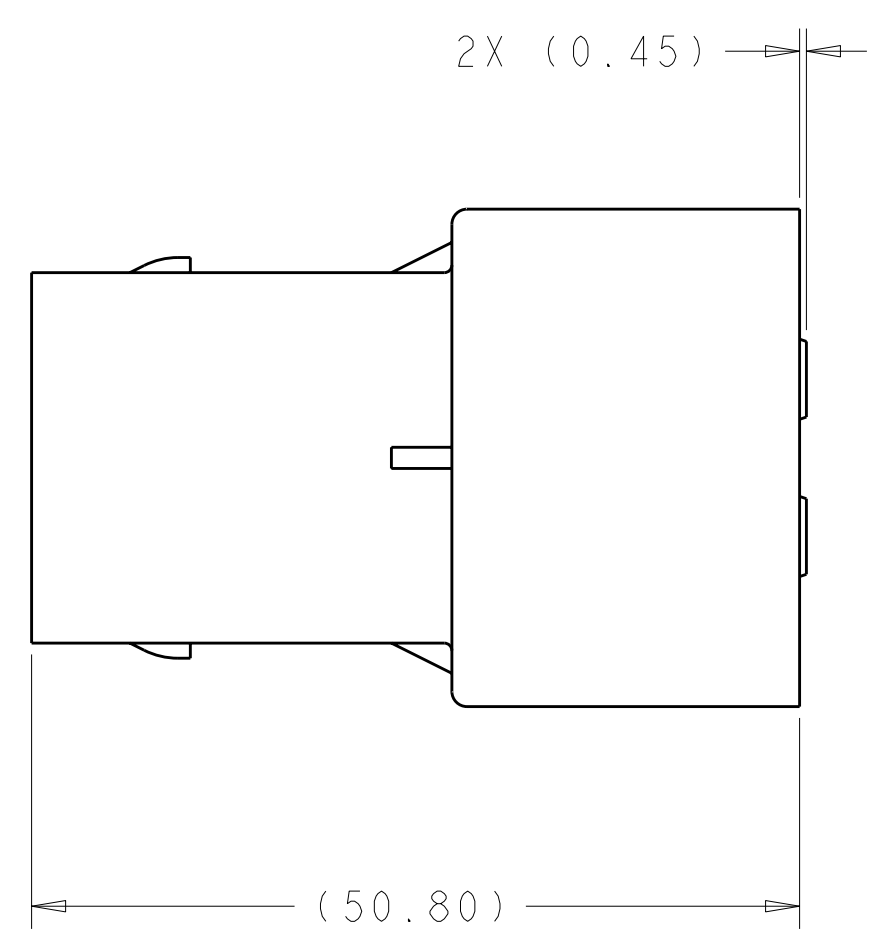
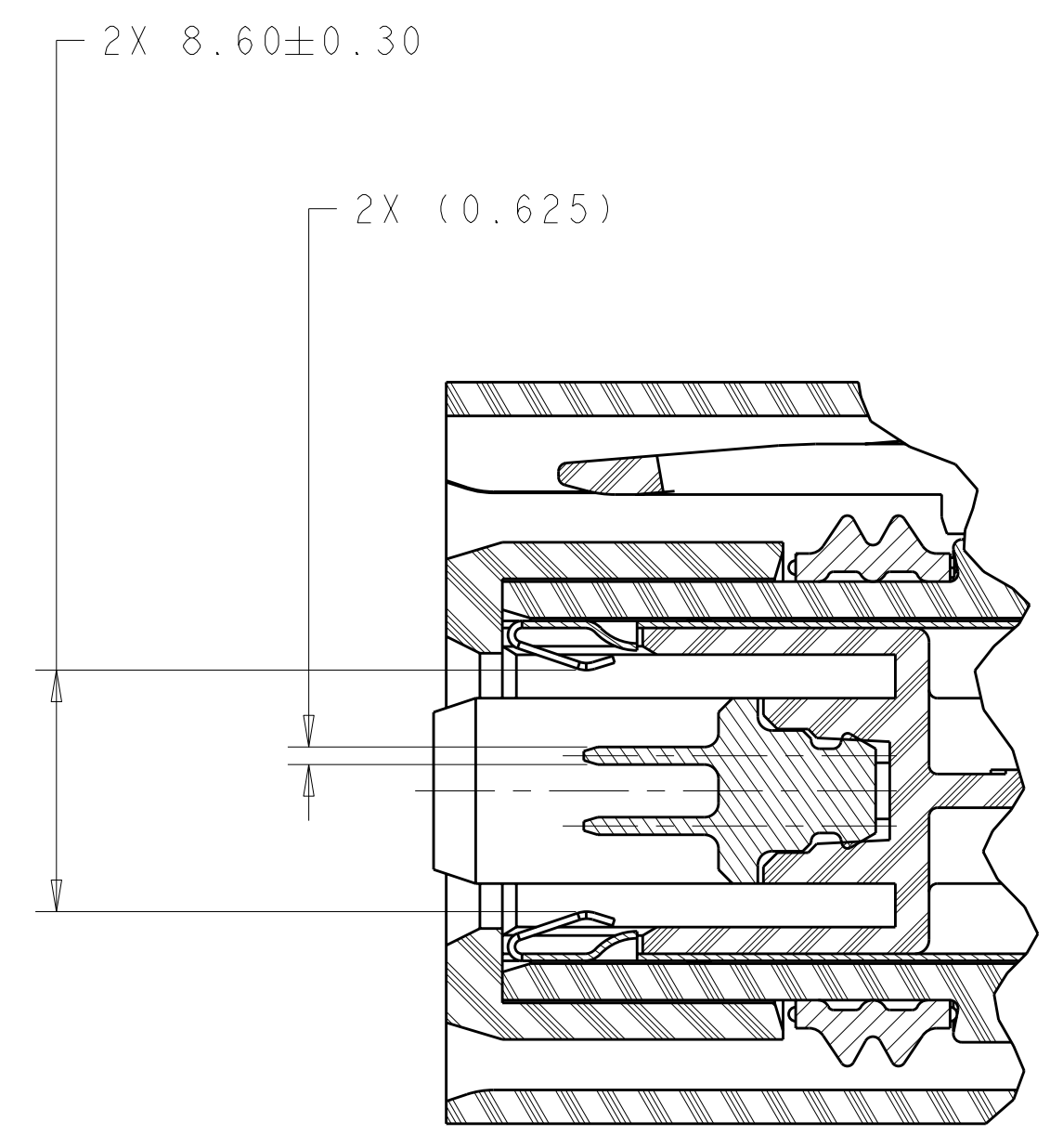
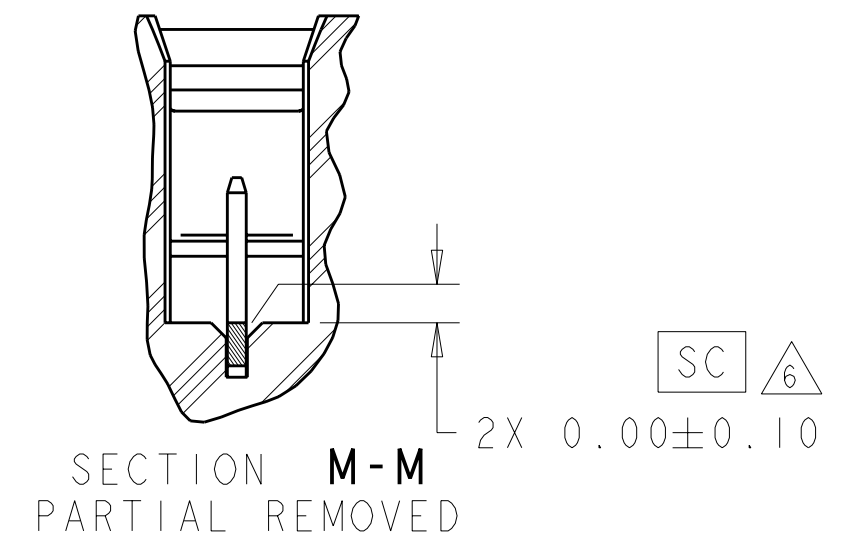
LOC	DIST	REVISIONS			
REV	DATE	DESCRIPTION	DATE	BY	APPV
C1	27APR2011	REVISED PER ECO-11-005139	27APR2011	RK	HMR
C2	25AUG2011	ECO-11-014753: OBS KEY C	25AUG2011	DS	AT



KEY C
OBSOLETE



- CONNECTOR MUST BE FREE OF ANY MECHANICAL DEFECTS WHICH MAY AFFECT FIT, FORM, OR PERFORMANCE
- PART NUMBER AND JULIAN DATE CODE MARKED IN THIS AREA
- FLOATING LATCH MUST BE FULLY INSTALLED AS SHOWN
- INNER HOUSING SUB ASSEMBLY MUST BE FULLY LOCKED IN TWO LOCATIONS INTO OUTER HOUSING. INSPECTION PRIOR TO ASSEMBLY OF PERIPHERAL SEAL RETAINER PERMITTED
- PERIPHERAL SEAL RETAINER MUST BE FULLY LOCKED IN TWO LOCATIONS INTO OUTER HOUSING.
- MEASURE EACH STAMPING SHOULDER FLUSH CONDITION TO NEIGHBORING PLASTIC SURFACE
- PRELIMINARY PART—NOT RELEASED FOR PRODUCTION



SECTION E-E
PARTIAL REMOVED
SCALE 4:1

DETAIL D
SCALE 4:1

DESCRIPTION	PART NO
PLUG ASSY, KEY D, HVA280-2PHI	1587819-4
- OBSOLETE -	1587819-3
PLUG ASSY, KEY B, HVA280-2PHI	1587819-2
PLUG ASSY, KEY A, HVA280-2PHI	1587819-1

THIS DRAWING IS A CONTROLLED DOCUMENT.		DWN: D SIMPSON 28MAY2009			
DIMENSIONS: mm		CHK: A TYLER 28MAY2009			
TOLERANCES UNLESS OTHERWISE SPECIFIED:		APVD: -		NAME: PLUG ASSY HVA280-2PHI	
0 PLC ±0.2		PRODUCT SPEC: 108-2394		SIZE: CAGE CODE: DRAWING NO: RESTRICTED TO: A1100779C=1587819	
1 PLC ±0.10		APPLICATION SPEC: 114-13259		WEIGHT: -	
2 PLC ±0.013		MATERIAL: -		FINISH: -	
3 PLC ±0.001		CUSTOMER DRAWING		SCALE: 2:1 SHEET 1 OF 1 REV: C2	
ANGLES ±0.0001					

X-ON Electronics

Largest Supplier of Electrical and Electronic Components

Click to view similar products for [Automotive Connectors](#) category:

Click to view products by [TE Connectivity](#) manufacturer:

Other Similar products are found below :

[003-018-000](#) [60403001](#) [60993906-B](#) [M902-2131](#) [M902-2161](#) [72.330.1035.1](#) [73.353.4028.0](#) [F119300-B](#) [F166900](#) [F258300-B](#) [F358300-B](#)
[F407400](#) [F444110](#) [F487000](#) [F509500B-B](#) [827153-1](#) [8N1515-32-24P](#) [9-1326729-8](#) [925474-1](#) [928905-1](#) [964562-4](#) [968782-1](#) [GT17SA-8DS-](#)
[HU](#) [98891-1012](#) [98947-1016](#) [12004147](#) [12004475-L](#) [12010290](#) [12010309-B](#) [12015454](#) [12020219-B](#) [12020308](#) [12041318-B](#) [12052225-L](#)
[12052466](#) [12059125](#) [12064869](#) [12004327-B](#) [12010503-B](#) [12015308](#) [12015384](#) [12015909](#) [1-21030-1](#) [12041254](#) [12041318](#) [12047946-B](#)
[12047957](#) [12047957-L](#) [12059473](#) [12066261](#)