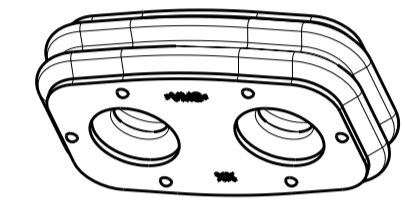
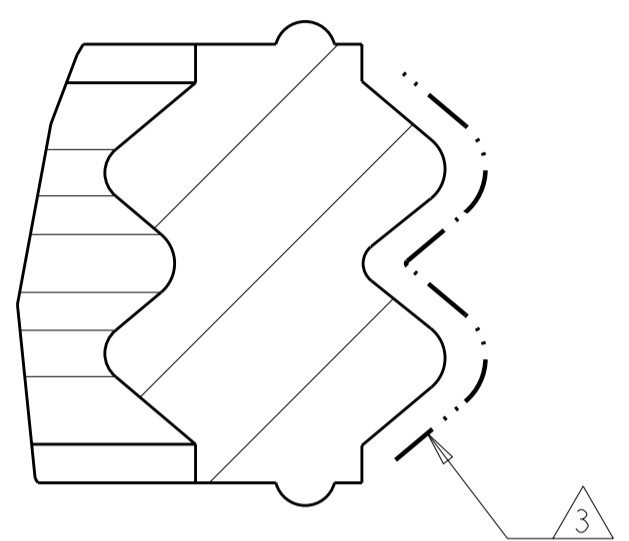
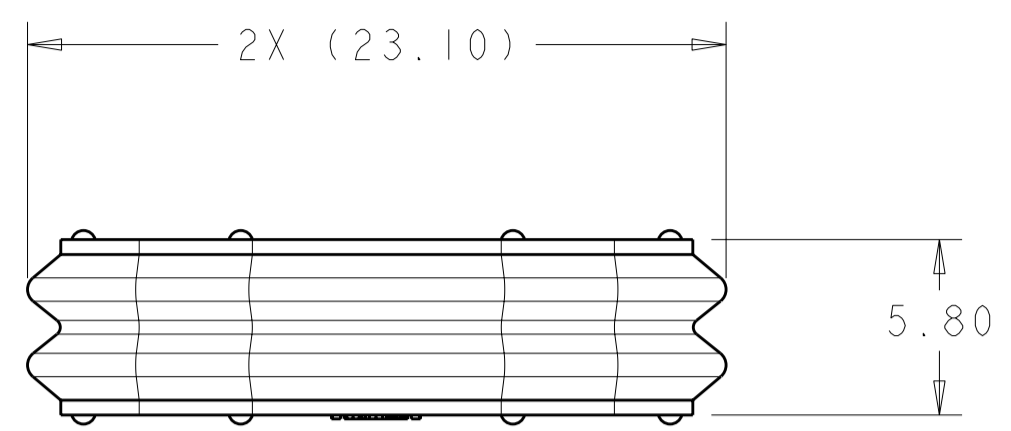


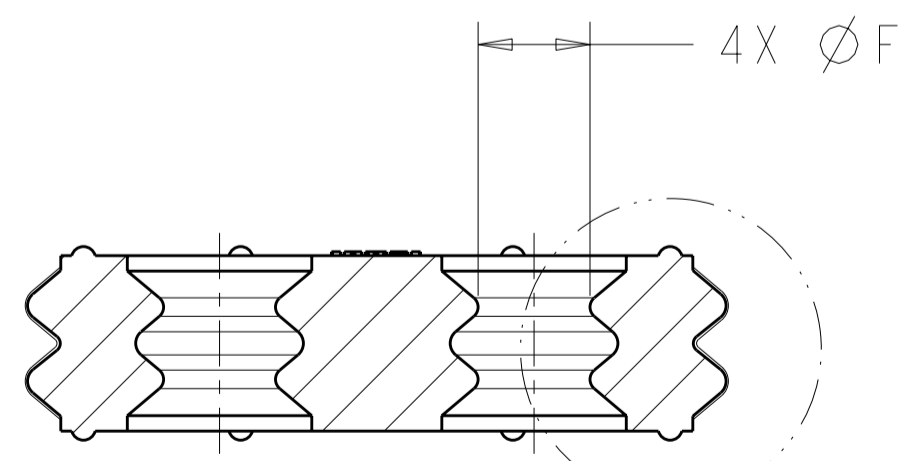
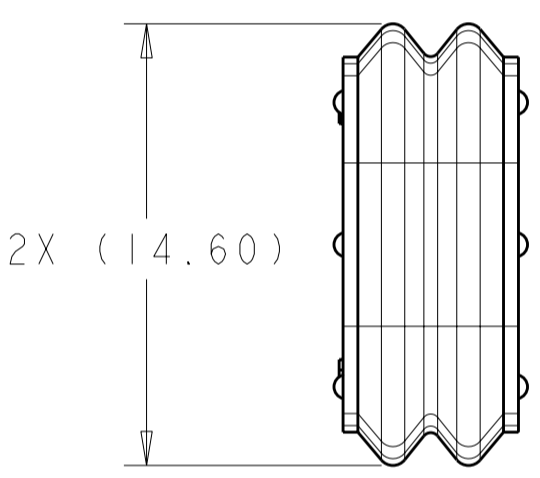
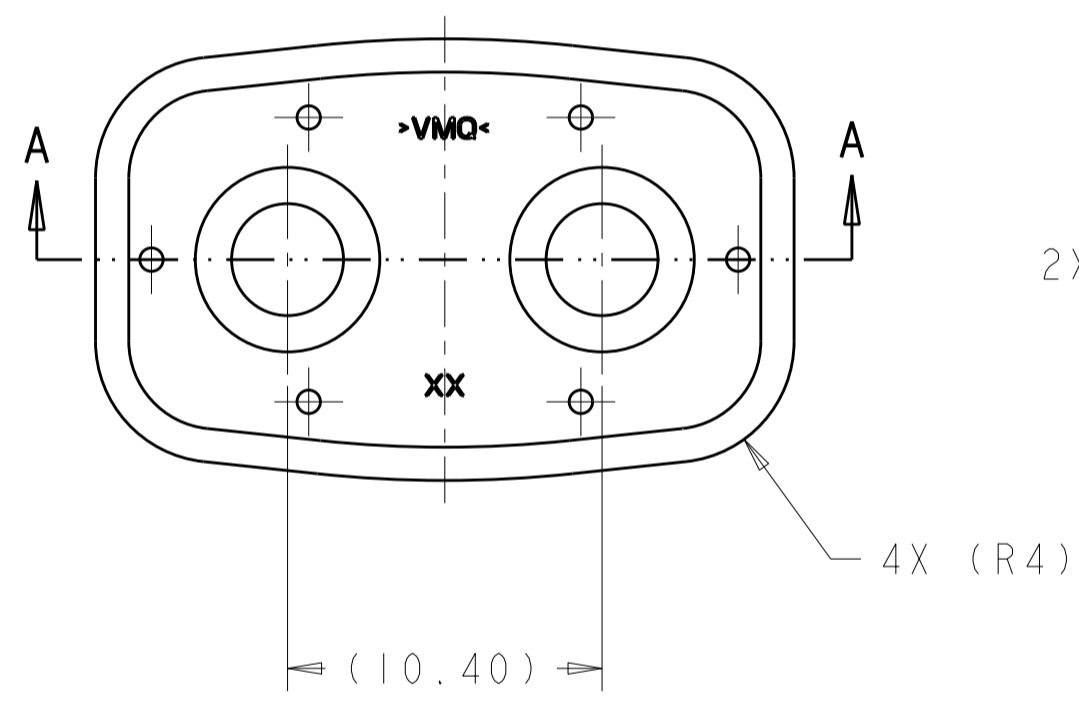
THIS DRAWING IS UNPUBLISHED. RELEASED FOR PUBLICATION 20  
 © COPYRIGHT 20 BY TYCO ELECTRONICS CORPORATION ALL RIGHTS RESERVED.

| LOC |     | DIST          |           | REVISIONS |      |  |  |
|-----|-----|---------------|-----------|-----------|------|--|--|
| P   | LTR | DESCRIPTION   | DATE      | DWN       | APVD |  |  |
|     | BI  | ECO-11-006038 | 23MAR2011 | DS        | AT   |  |  |



SCALE 2:1

DETAIL B  
SCALE 10:1



SEE DETAIL B

SECTION A-A

- NO DAMAGES, SINK MARKS, CAVITIES OR FLOW LINES PERMITTED
- MATERIAL:  
30 DUROMETER INHERENTLY LUBRICATED SILICONE  
COLOR: SEE PART NO. TABLE
- AROUND NO FLASH PERMITTED
- PRELIMINARY PART—NOT RELEASED FOR PRODUCTION

|           |      |      |            |                    |           |
|-----------|------|------|------------|--------------------|-----------|
| 5.48      | 6.10 | 4.90 | GREEN      | CABLE SEAL, SIZE C | 1587826-3 |
| 4.89      | 5.48 | 4.40 | RUST RED   | CABLE SEAL, SIZE B | 1587826-2 |
| 4.29      | 4.89 | 3.60 | ROYAL BLUE | CABLE SEAL, SIZE A | 1587826-1 |
| MIN       | MAX  | F    | COLOR      | DESCRIPTION        | PART NO   |
| WIRE O.D. |      |      |            |                    |           |

|   |  |                                |                                   |  |
|---|--|--------------------------------|-----------------------------------|--|
| THIS DRAWING IS A CONTROLLED DOCUMENT.  |  | DWN<br>D. SIMPSON<br>05JUN2009 | <b>STE</b> TE Connectivity        |  |
|   |  | CHK<br>A. TYLER<br>05JUN2009   |                                   |  |
| DIMENSIONS:<br>mm   |  | APVD<br>-                      | NAME<br>CABLE SEAL,<br>HVA280-2PI |  |
| TOLERANCES UNLESS OTHERWISE SPECIFIED:<br>0 PLC ±<br>1 PLC ±0.2<br>2 PLC ±0.16<br>3 PLC ±0.100<br>4 PLC ±0.0001<br>ANGLES ±<br>FINISH |  | PRODUCT SPEC<br>108-2394       | SIZE<br>A200779                   |  |
| MATERIAL  |  | APPLICATION SPEC<br>114-13259  | DRAWING NO<br>C-1587826           |  |
| MATERIAL  |  | WEIGHT<br>-                    | RESTRICTED TO<br>-                |  |
| MATERIAL  |  | CUSTOMER DRAWING               | SCALE 4:1 SHEET 1 OF 1 REV BI     |  |

## X-ON Electronics

Largest Supplier of Electrical and Electronic Components

*Click to view similar products for [Automotive Connectors](#) category:*

*Click to view products by [TE Connectivity](#) manufacturer:*

Other Similar products are found below :

[003-018-000](#) [60403001](#) [60993906-B](#) [M902-2131](#) [M902-2161](#) [72.330.1035.1](#) [73.353.4028.0](#) [F119300-B](#) [F166900](#) [F258300-B](#) [F358300-B](#)  
[F407400](#) [F444110](#) [F487000](#) [F509500B-B](#) [827153-1](#) [8N1515-32-24P](#) [9-1326729-8](#) [925474-1](#) [928905-1](#) [964562-4](#) [968782-1](#) [GT17SA-8DS-](#)  
[HU](#) [98891-1012](#) [98947-1016](#) [12004147](#) [12004475-L](#) [12010290](#) [12010309-B](#) [12015454](#) [12020219-B](#) [12020308](#) [12041318-B](#) [12052225-L](#)  
[12052466](#) [12059125](#) [12064869](#) [12004327-B](#) [12010503-B](#) [12015308](#) [12015384](#) [12015909](#) [1-21030-1](#) [12041254](#) [12041318](#) [12047946-B](#)  
[12047957](#) [12047957-L](#) [12059473](#) [12066261](#)