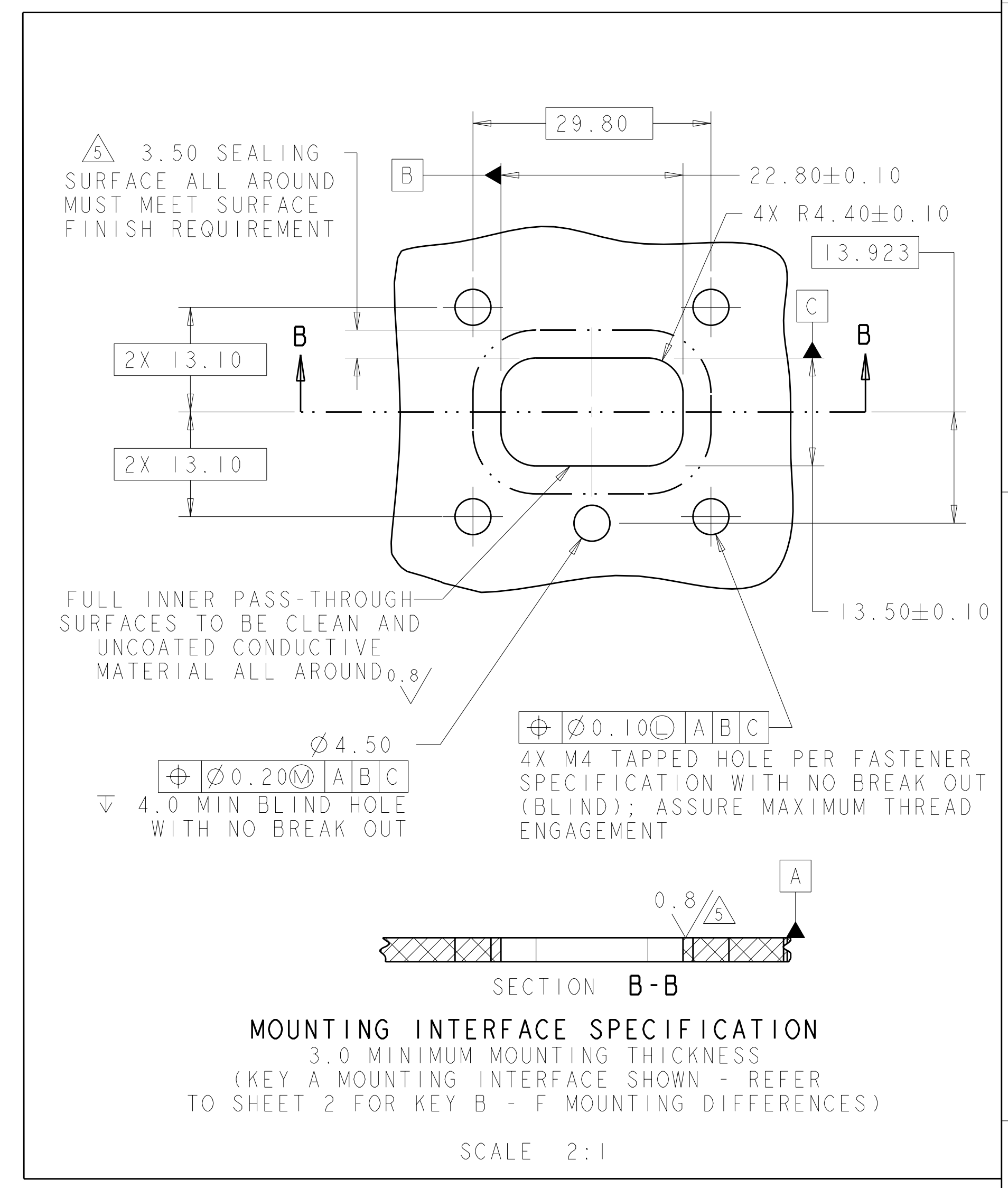
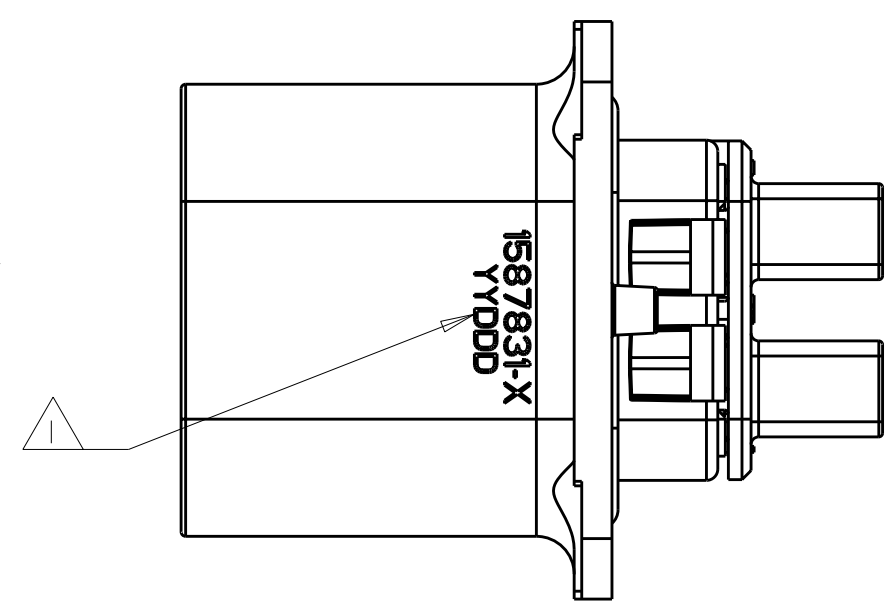
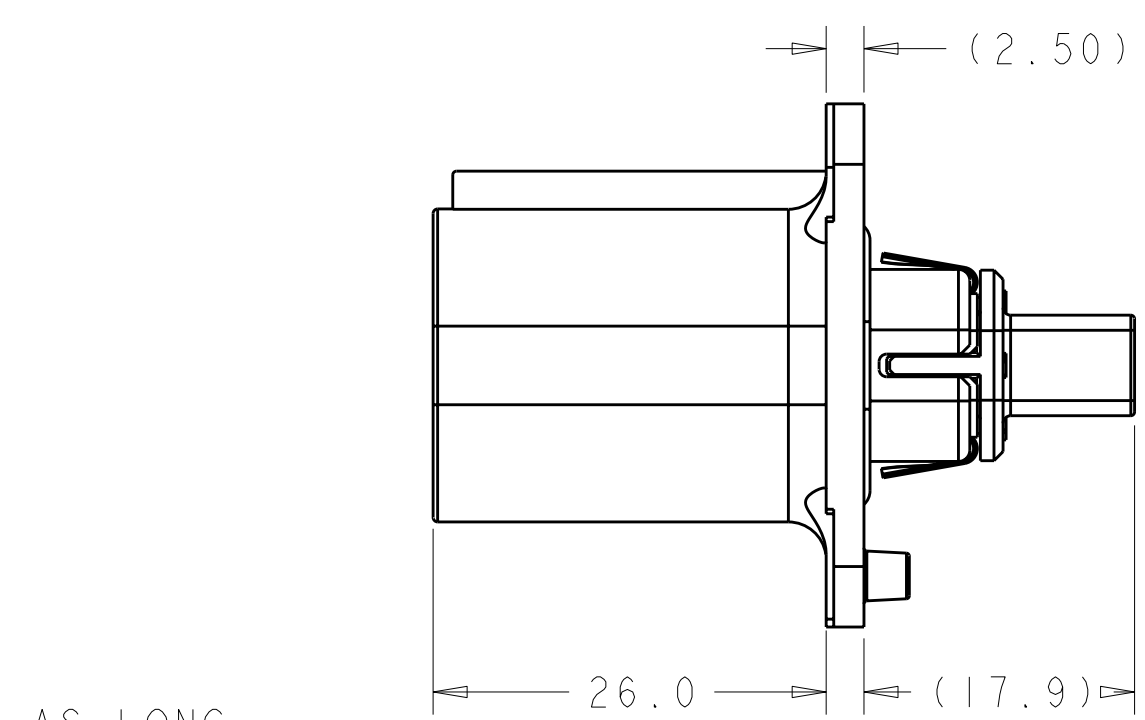
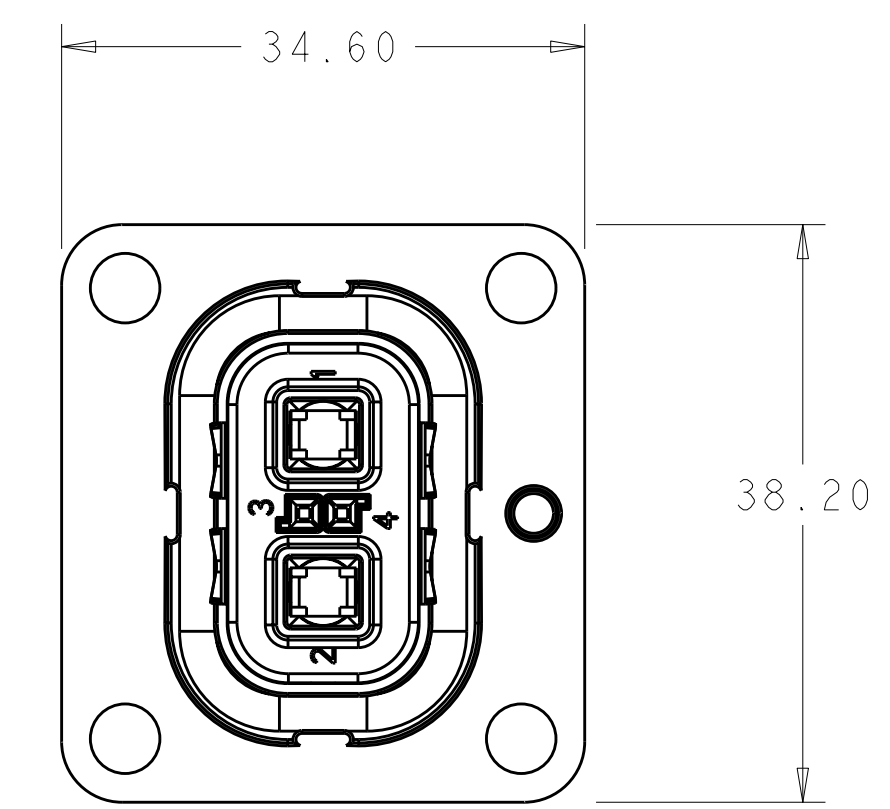
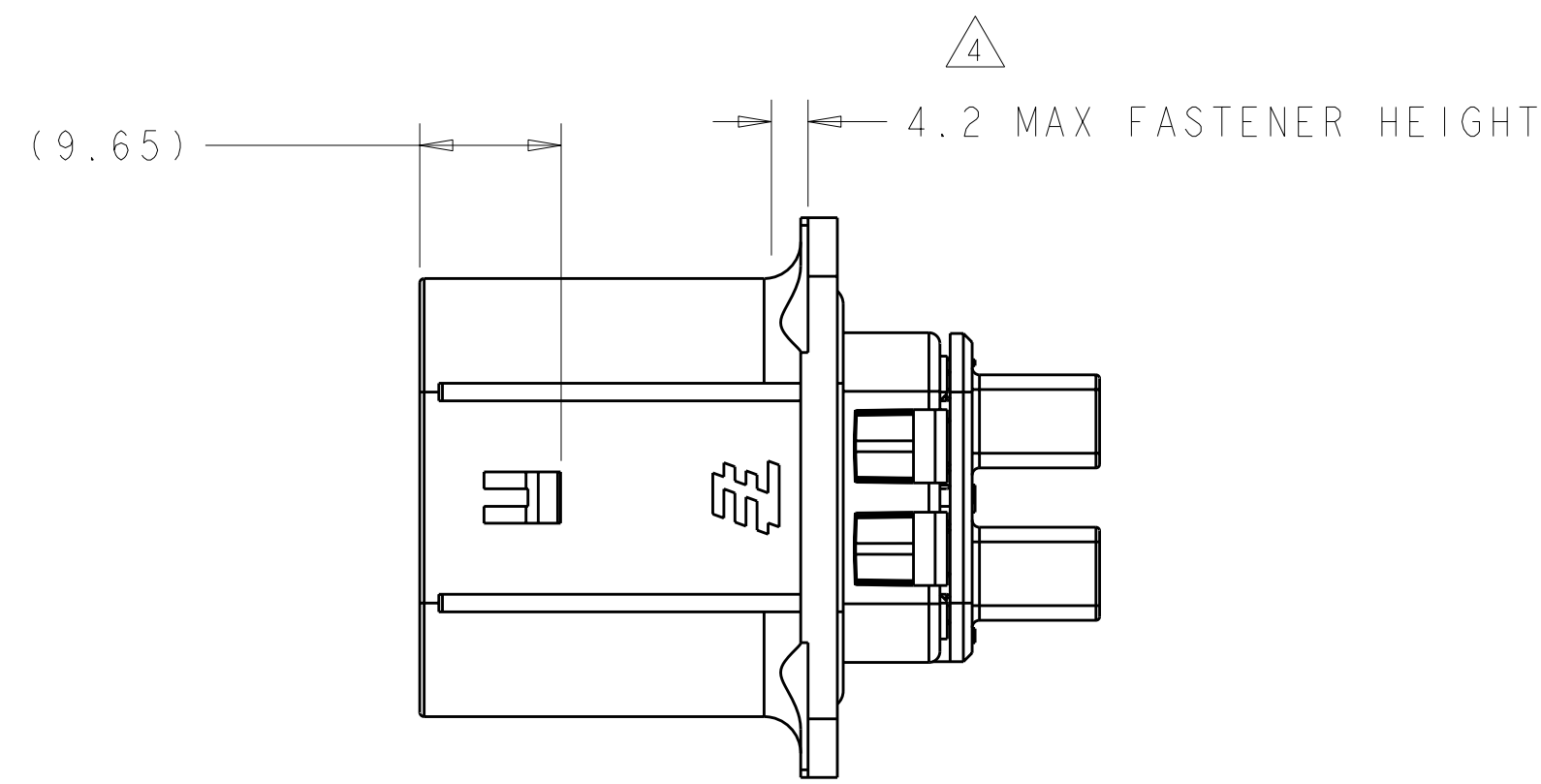
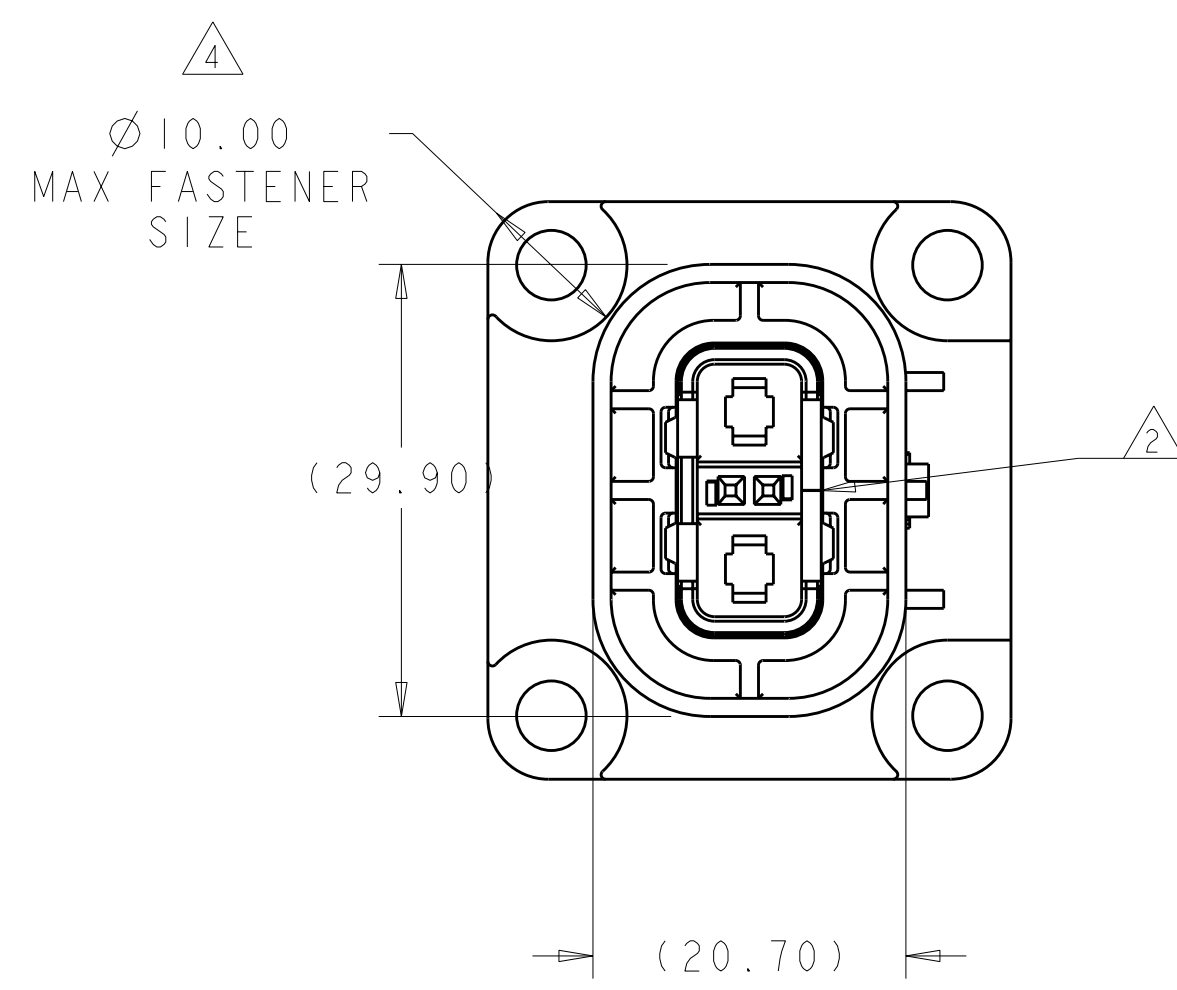
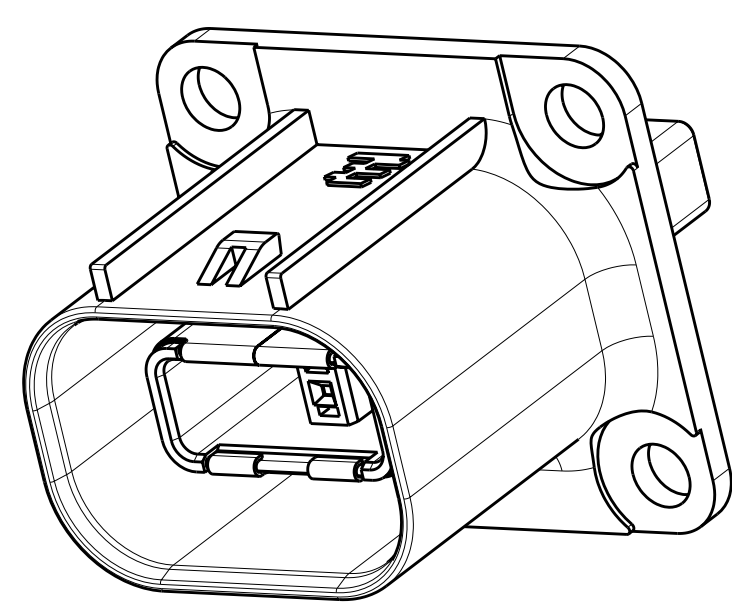


LOC	DIST	REVISIONS			
P	LTG	DESCRIPTION	DATE	DWN	APVD
D1		REVISED PER ECO-11-005139	27APR2011	RK	HMR
D2		ECO-11-014753	14OCT2011	DS	TD



- 1 IDENTIFICATION MARKING ON THIS SURFACE CONTAINS ASSEMBLY P/N AND DATE CODE (YYDD). TEXT ORIENTATION, SIZE, AND LOCATION CAN VARY AS LONG AS TEXT IS LOCATED ON SURFACE SHOWN AND READABLE.
- 2 SHIELD SEAM CAN BE POSITIONED AS SHOWN OR ROTATED 180° FROM POSITION SHOWN.
- 3 PRELIMINARY PART - NOT RELEASED FOR PRODUCTION
- 4 THESE DIMENSIONS DEFINE FASTENER SIZE LIMITS FOR PROPER COMPONENT FUNCTIONALITY. THESE ARE NOT PRODUCT FEATURES - NO INSPECTION REQUIRED FOR THESE ITEMS.
- 5. MATERIALS:
 OUTER HOUSING: CAST ALUMINUM WITH BLACK ELECTRO-COAT
 SHIELD: TIN PLATED COPPER ALLOY
 INNER HOUSING: PA66

INDEX	PART NO
3	F 1587831-6
3	E 1587831-5
	D 1587831-4
3	C 1587831-3
	B 1587831-2
	A 1587831-1

THIS DRAWING IS A CONTROLLED DOCUMENT.		DWN T. DEWILTE 25NOV2008	TE Connectivity	
DIMENSIONS: mm		CHK T. DEWILTE	NAME HVA 280 2P HEADER ASSY W/HVIL CHART DRAWING	
TOLERANCES UNLESS OTHERWISE SPECIFIED:		APVD	PRODUCT SPEC 108-2394	
9 PLC ±0.10 3 PLC ±0.10 5 PLC ±0.013 4 PLC ±0.001 ANGLES ±0.001		APPLICATION SPEC 408-10294	SIZE CAGE CODE DRAWING NO RESTRICTED TO	
MATERIAL		WEIGHT 24.36 g	A1100779C=1587831	
FINISH		CUSTOMER DRAWING	SCALE 2:1 SHEET 1 OF 2 REV D2	

LOC	DIST	REVISIONS			
REV	DATE	DESCRIPTION	DATE	DWN	APVD
00		SEE SHEET 1			

	1587831-1 (KEY A)	1587831-2 (KEY B)	△ 1587831-3 (KEY C) OBSOLETE	1587831-4 (KEY D)	△ 1587831-5 (KEY E)	△ 1587831-6 (KEY F)
FRONT VIEW			<div style="font-size: 4em; opacity: 0.5;">X</div>			
SIDE VIEW						
REAR VIEW						
INTERFACE VIEW - MOUNTING SIDE						
	KEY A MOUNTING INTERFACE SCALE 3:2	KEY B MOUNTING INTERFACE SCALE 3:2	OBSOLETE KEY C MOUNTING INTERFACE SCALE N/A	KEY D MOUNTING INTERFACE SCALE 3:2	KEY E MOUNTING INTERFACE SCALE 3:2	KEY F MOUNTING INTERFACE SCALE 3:2

THIS DRAWING IS A CONTROLLED DOCUMENT.		DWN T. DEWILTE	25NOV2008	STE TE Connectivity
DIMENSIONS: mm		CHK T. DEWILTE	APVD	
TOLERANCES UNLESS OTHERWISE SPECIFIED:		PRODUCT SPEC		NAME HVA 280 2P HEADER ASSY W/HVIL CHART DRAWING
<ul style="list-style-type: none"> 0 PLC ±.10 1 PLC ±0.10 5 PLC ±0.13 4 PLC ±0.001 ANGLES ±.001 		APPLICATION SPEC		
MATERIAL		WEIGHT		RESTRICTED TO
FINISH		408-10294		SIZE CAGE CODE DRAWING NO
		24.36 g		A100779C=1587831
		CUSTOMER DRAWING		SCALE 2:1 SHEET 2 OF 2 REV D2

X-ON Electronics

Largest Supplier of Electrical and Electronic Components

Click to view similar products for [Automotive Connectors](#) category:

Click to view products by [TE Connectivity](#) manufacturer:

Other Similar products are found below :

[003-018-000](#) [60403001](#) [60993906-B](#) [M902-2131](#) [M902-2161](#) [72.330.1035.1](#) [73.353.4028.0](#) [F119300-B](#) [F166900](#) [F258300-B](#) [F358300-B](#)
[F407400](#) [F444110](#) [F487000](#) [F509500B-B](#) [827153-1](#) [8N1515-32-24P](#) [9-1326729-8](#) [925474-1](#) [928905-1](#) [964562-4](#) [968782-1](#) [GT17SA-8DS-](#)
[HU](#) [98891-1012](#) [98947-1016](#) [12004147](#) [12004475-L](#) [12010290](#) [12010309-B](#) [12015454](#) [12020219-B](#) [12020308](#) [12041318-B](#) [12052225-L](#)
[12052466](#) [12059125](#) [12064869](#) [12004327-B](#) [12010503-B](#) [12015308](#) [12015384](#) [12015909](#) [1-21030-1](#) [12041254](#) [12041318](#) [12047946-B](#)
[12047957](#) [12047957-L](#) [12059473](#) [12066261](#)