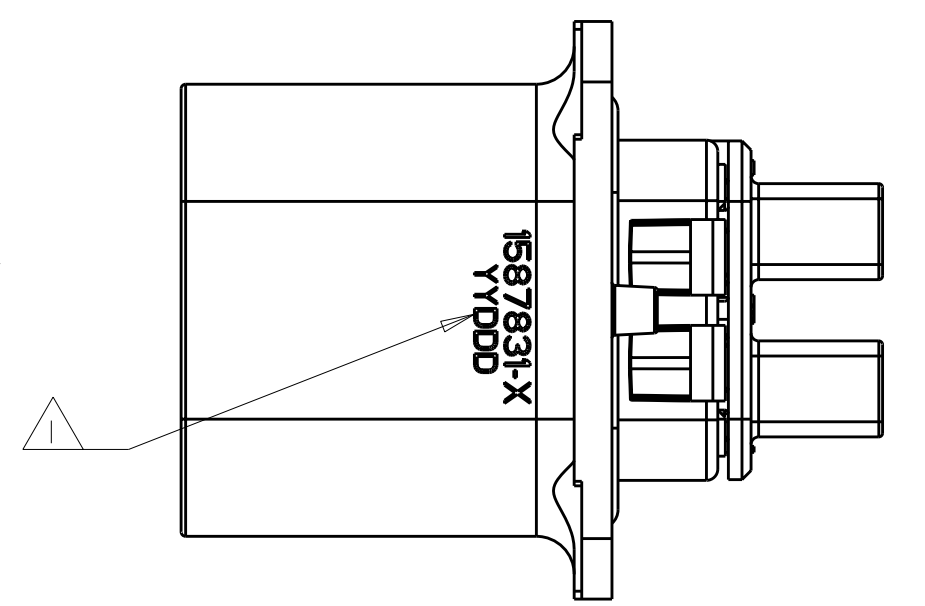
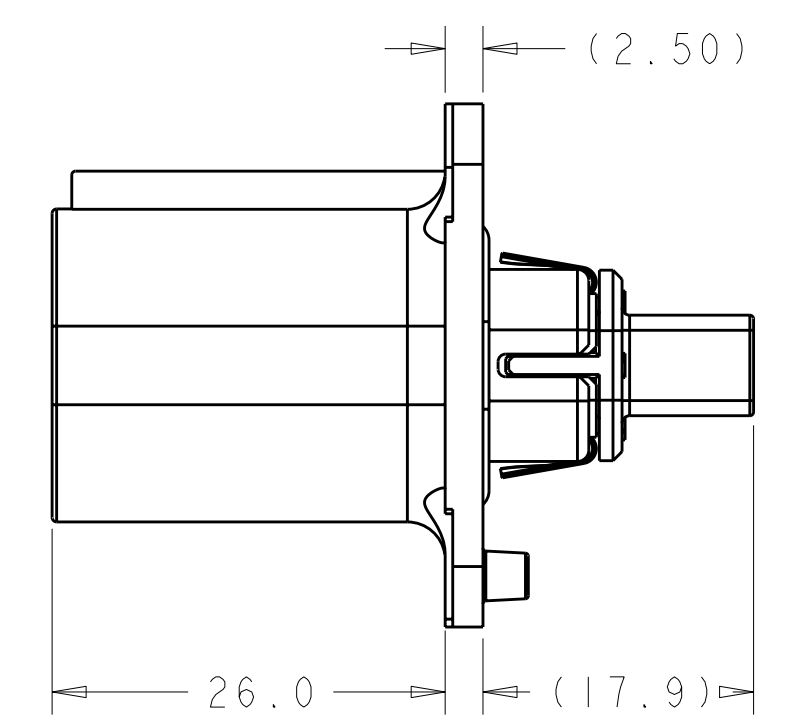
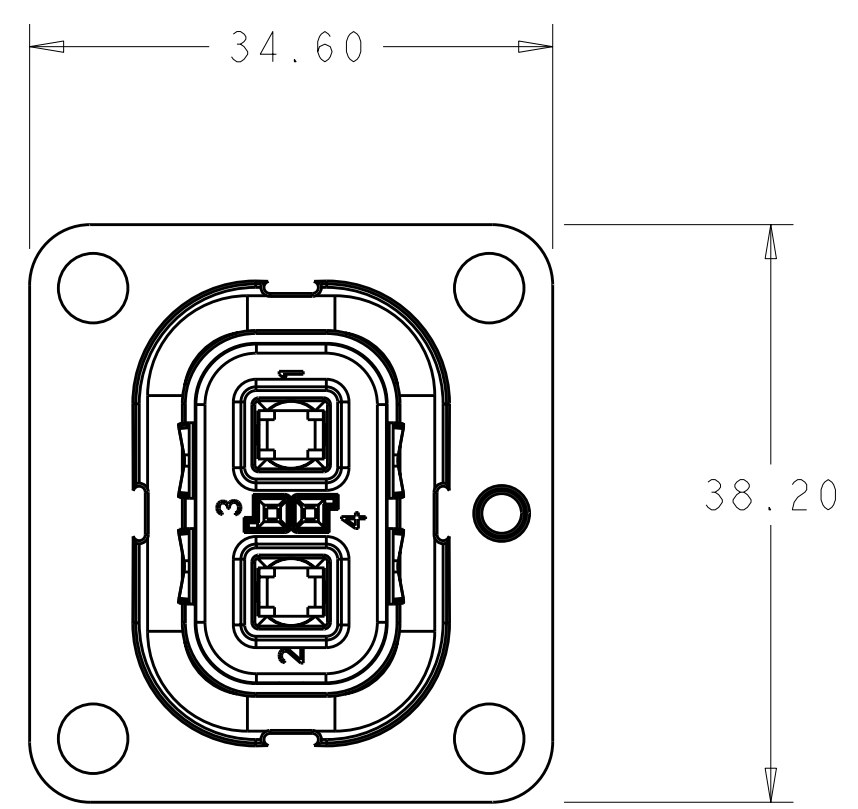
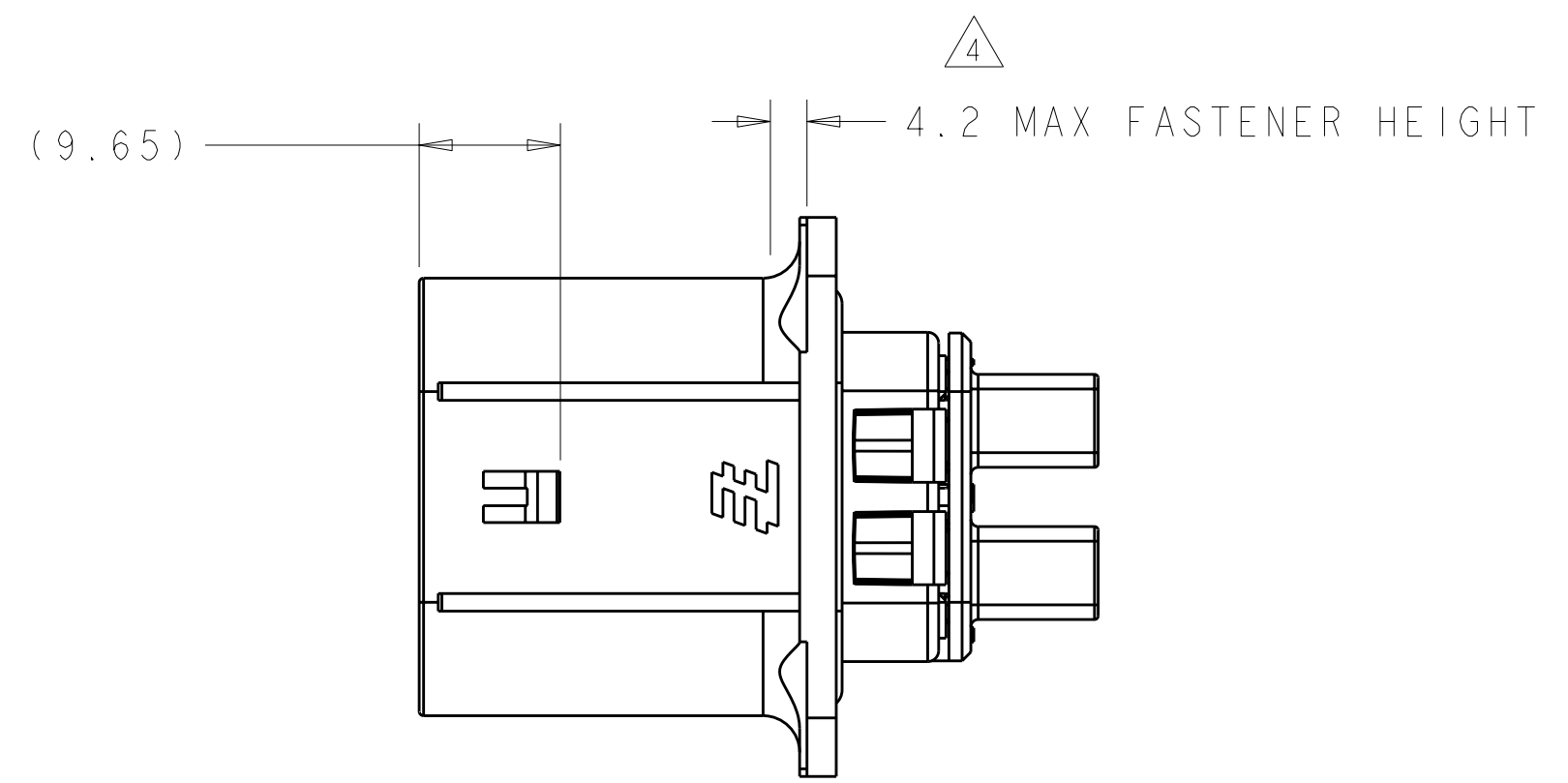
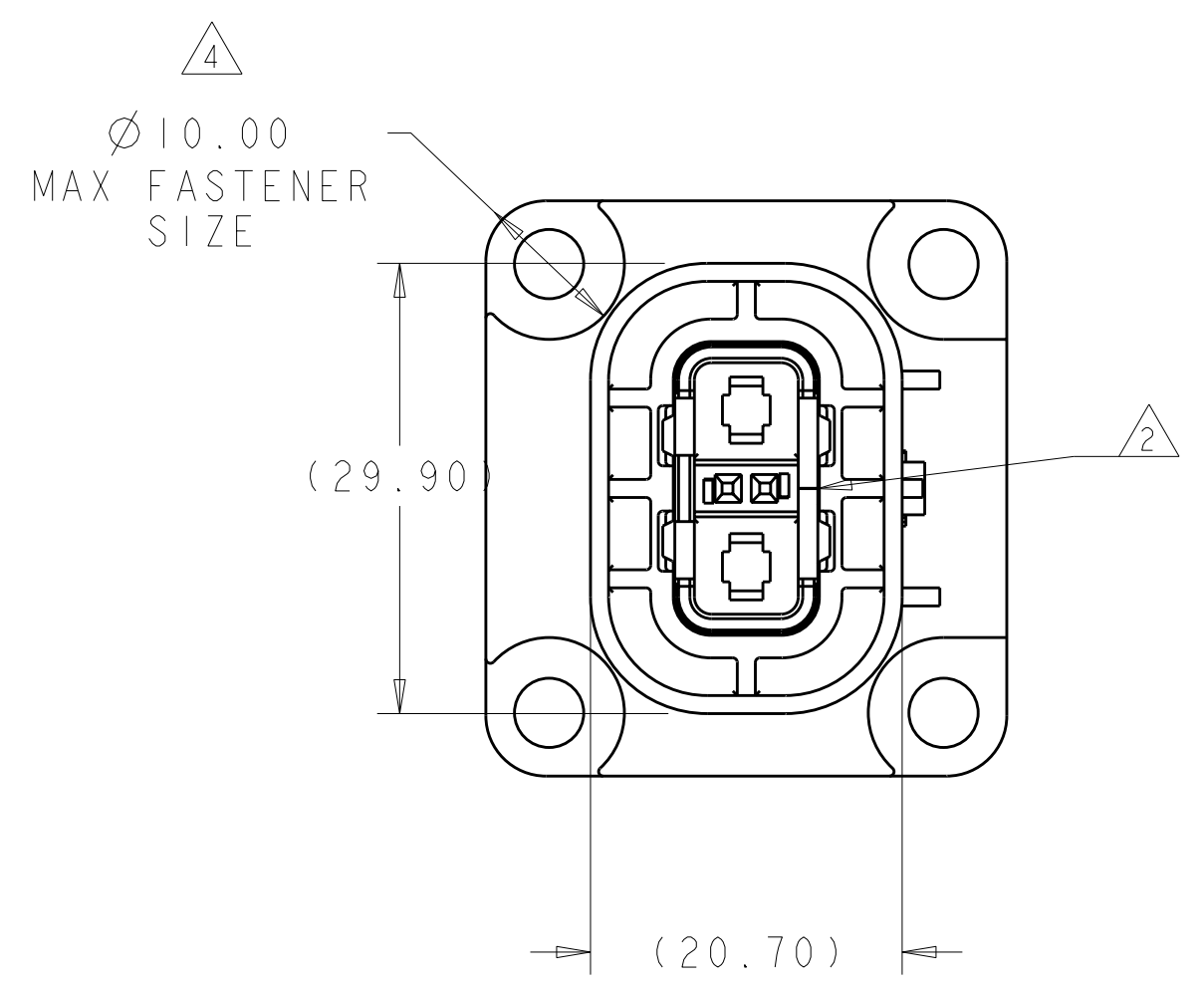
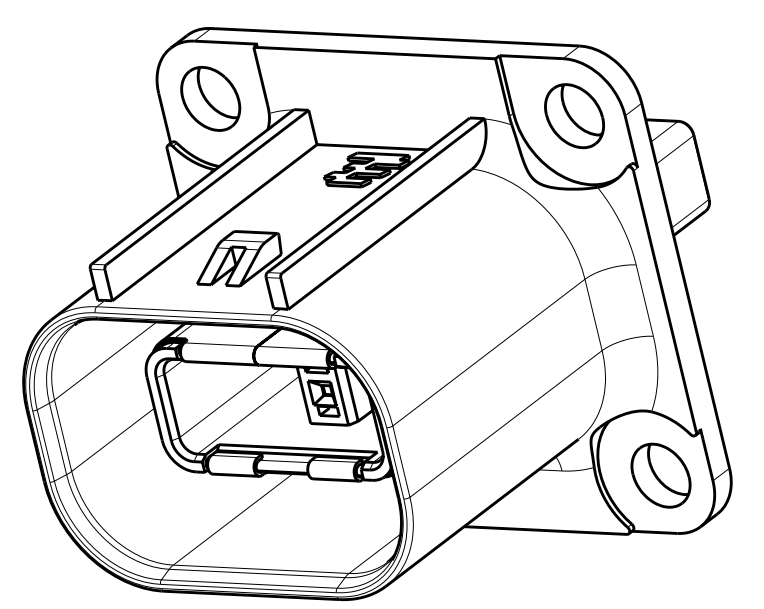
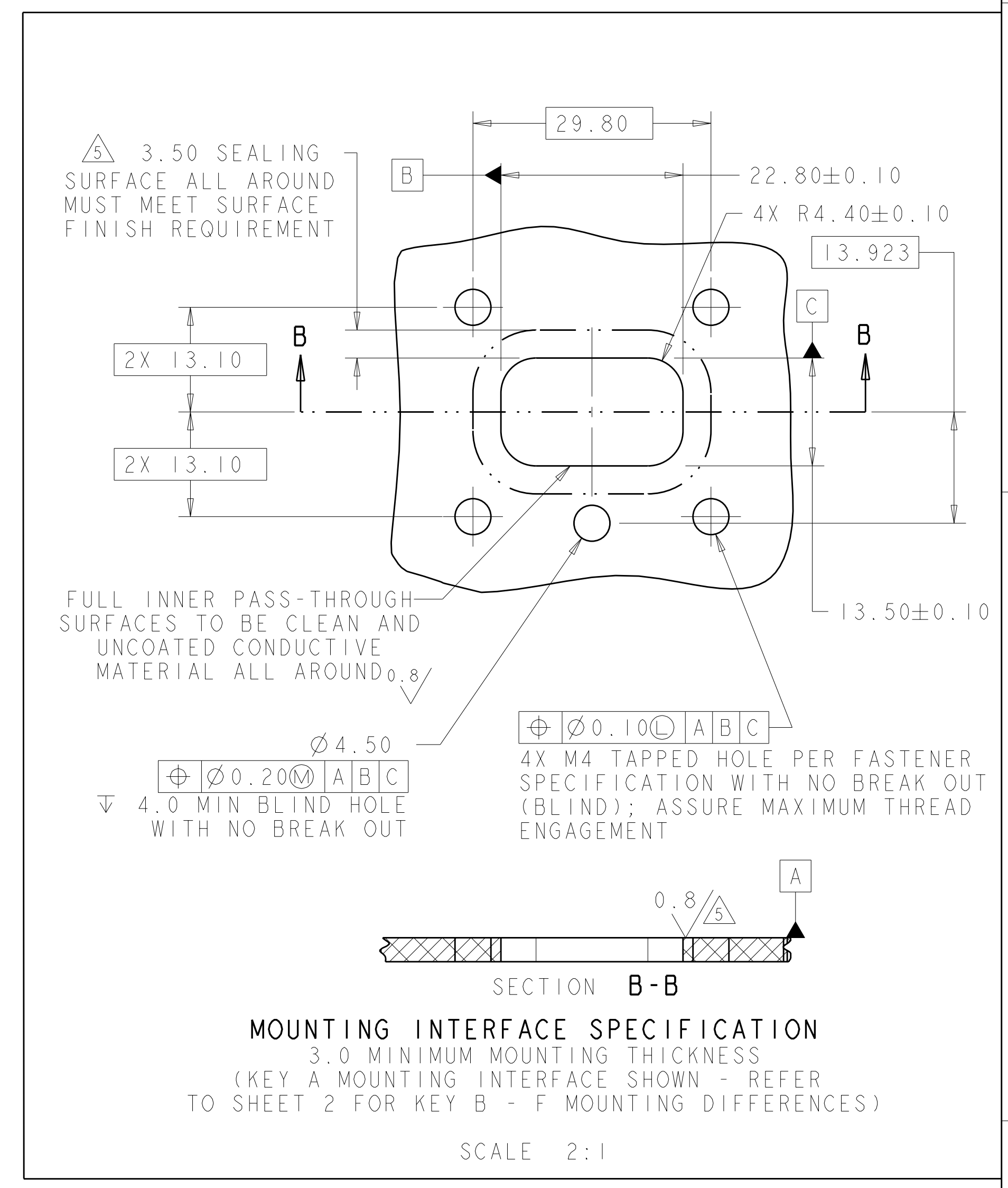


LOC	DIST	REVISIONS			
P	LTG	DESCRIPTION	DATE	DWN	APVD
D1		REVISED PER ECO-11-005139	27APR2011	RK	HMR
D2		ECO-11-014753	14OCT2011	DS	TD



- 1 IDENTIFICATION MARKING ON THIS SURFACE CONTAINS ASSEMBLY P/N AND DATE CODE (YYDD). TEXT ORIENTATION, SIZE, AND LOCATION CAN VARY AS LONG AS TEXT IS LOCATED ON SURFACE SHOWN AND READABLE.
- 2 SHIELD SEAM CAN BE POSITIONED AS SHOWN OR ROTATED 180° FROM POSITION SHOWN.
- 3 PRELIMINARY PART - NOT RELEASED FOR PRODUCTION
- 4 THESE DIMENSIONS DEFINE FASTENER SIZE LIMITS FOR PROPER COMPONENT FUNCTIONALITY. THESE ARE NOT PRODUCT FEATURES - NO INSPECTION REQUIRED FOR THESE ITEMS.
- 5. MATERIALS:
 OUTER HOUSING: CAST ALUMINUM WITH BLACK ELECTRO-COAT
 SHIELD: TIN PLATED COPPER ALLOY
 INNER HOUSING: PA66



INDEX	PART NO
3	F 1587831-6
3	E 1587831-5
	D 1587831-4
3	C 1587831-3
	B 1587831-2
	A 1587831-1

THIS DRAWING IS A CONTROLLED DOCUMENT.		DWN T. DEWILTE 25NOV2008	STE TE Connectivity	
DIMENSIONS: mm		CHK T. DEWILTE	NAME HVA 280 2P HEADER ASSY W/HVIL CHART DRAWING	
TOLERANCES UNLESS OTHERWISE SPECIFIED:		PRODUCT SPEC 108-2394	SIZE CAGE CODE DRAWING NO RESTRICTED TO	
9 PLC ±.10		APPLICATION SPEC 408-10294	A100779C=1587831	
2 PLC ±0.10		WEIGHT 24.36 g	SCALE 2:1 SHEET 1 OF 2 REV D2	
3 PLC ±0.13		CUSTOMER DRAWING		
4 PLC ±0.001				
ANGLES ±.0001				
FINISH				

LOC	DIST	REVISIONS			
REV	DATE	DESCRIPTION	DATE	DWN	APVD
00		SEE SHEET 1			

	1587831-1 (KEY A)	1587831-2 (KEY B)	△ 1587831-3 (KEY C) OBSOLETE	1587831-4 (KEY D)	△ 1587831-5 (KEY E)	△ 1587831-6 (KEY F)
FRONT VIEW						
SIDE VIEW						
REAR VIEW						
INTERFACE VIEW - MOUNTING SIDE						
	KEY A MOUNTING INTERFACE SCALE 3:2	KEY B MOUNTING INTERFACE SCALE 3:2	OBSOLETE KEY C MOUNTING INTERFACE SCALE N/A	KEY D MOUNTING INTERFACE SCALE 3:2	KEY E MOUNTING INTERFACE SCALE 3:2	KEY F MOUNTING INTERFACE SCALE 3:2

THIS DRAWING IS A CONTROLLED DOCUMENT. DWN T. DEWILTE 25NOV2008

CHK T. DEWILTE

APVD

NAME

PRODUCT SPEC 108-2394

APPLICATION SPEC 408-10294

WEIGHT 24.36 g

CUSTOMER DRAWING

SCALE 2:1 SHEET 2 OF 2 REV D2

STE TE Connectivity

HVA 280 2P HEADER ASSY
W/HVIL
CHART DRAWING

SIZE CAGE CODE DRAWING NO RESTRICTED TO
A100779C=1587831

X-ON Electronics

Largest Supplier of Electrical and Electronic Components

Click to view similar products for [Automotive Connectors](#) category:

Click to view products by [TE Connectivity](#) manufacturer:

Other Similar products are found below :

[003-018-000](#) [600858](#) [60403001](#) [60993906-B](#) [60993913-B](#) [629515004020001](#) [M83723/71R1808N L/C](#) [M902-2131](#) [M902-2161](#) [M902-2344](#)
[72.330.1035.1](#) [73.353.4028.0](#) [F118010](#) [F119300-B](#) [F132210](#) [F166900](#) [F180100](#) [F258300](#) [F258300-B](#) [F294300-B](#) [F339100](#) [F339700](#)
[F358300-B](#) [F374110](#) [F407400](#) [F412210](#) [F444110](#) [F487000](#) [F495100](#) [F500900-B](#) [F509500B-B](#) [770444-1](#) [827153-1](#) [881735-1](#)
[8N1515-32-24P](#) [9-1326729-8](#) [925467-1](#) [925474-1](#) [928905-1](#) [936398-2](#) [964562-4](#) [964731-2](#) [968782-1](#) [GT17SA-8DS-HU](#) [GT17VS-10DP-](#)
[5.2CF](#) [98315-0001](#) [98315-0010](#) [98891-1012](#) [98895-2014](#) [98936-1039](#)