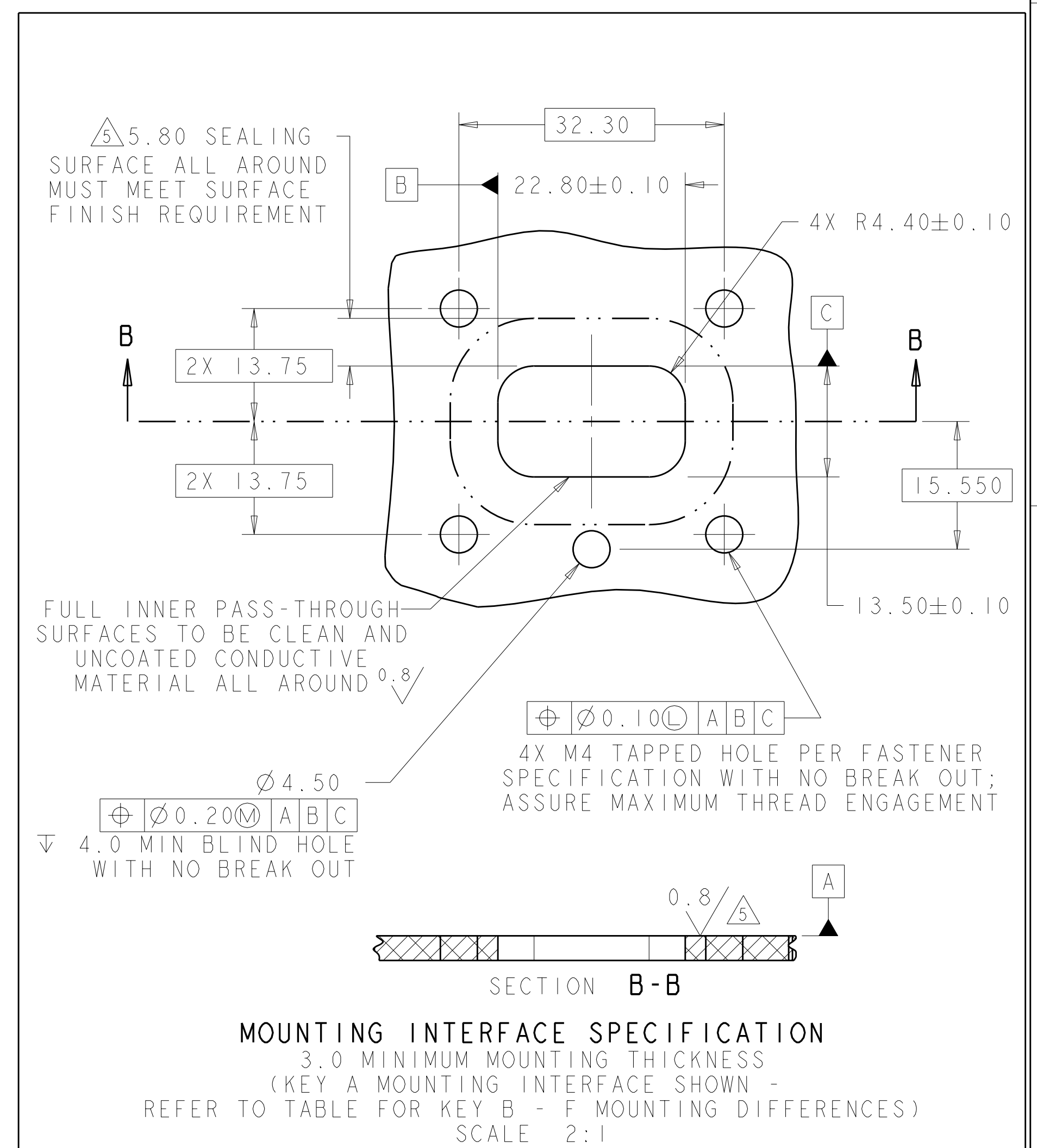
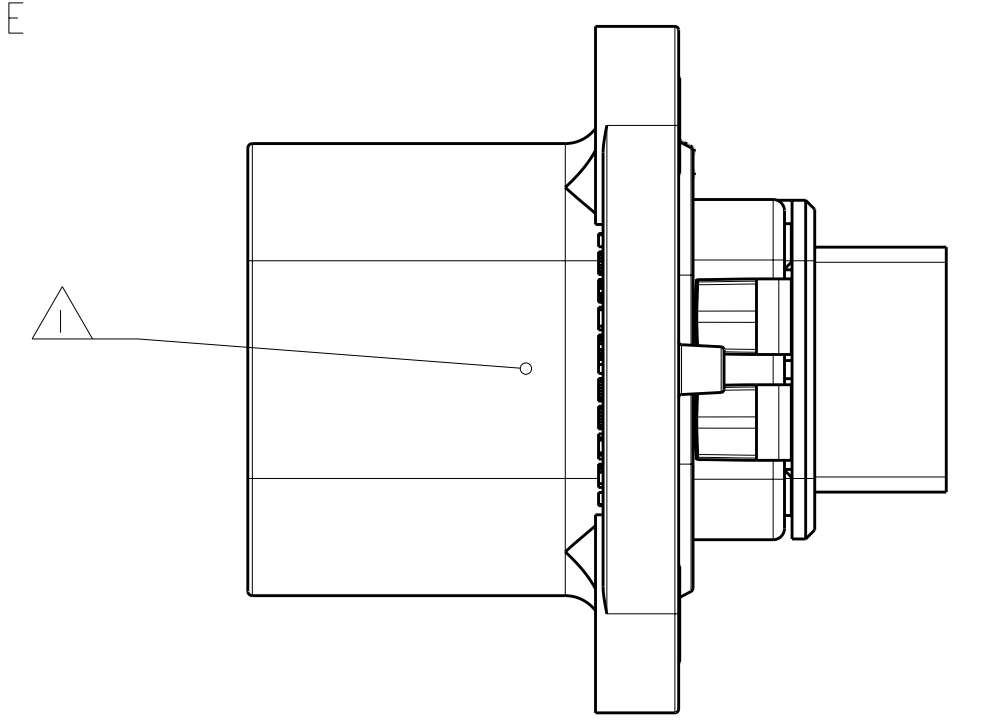
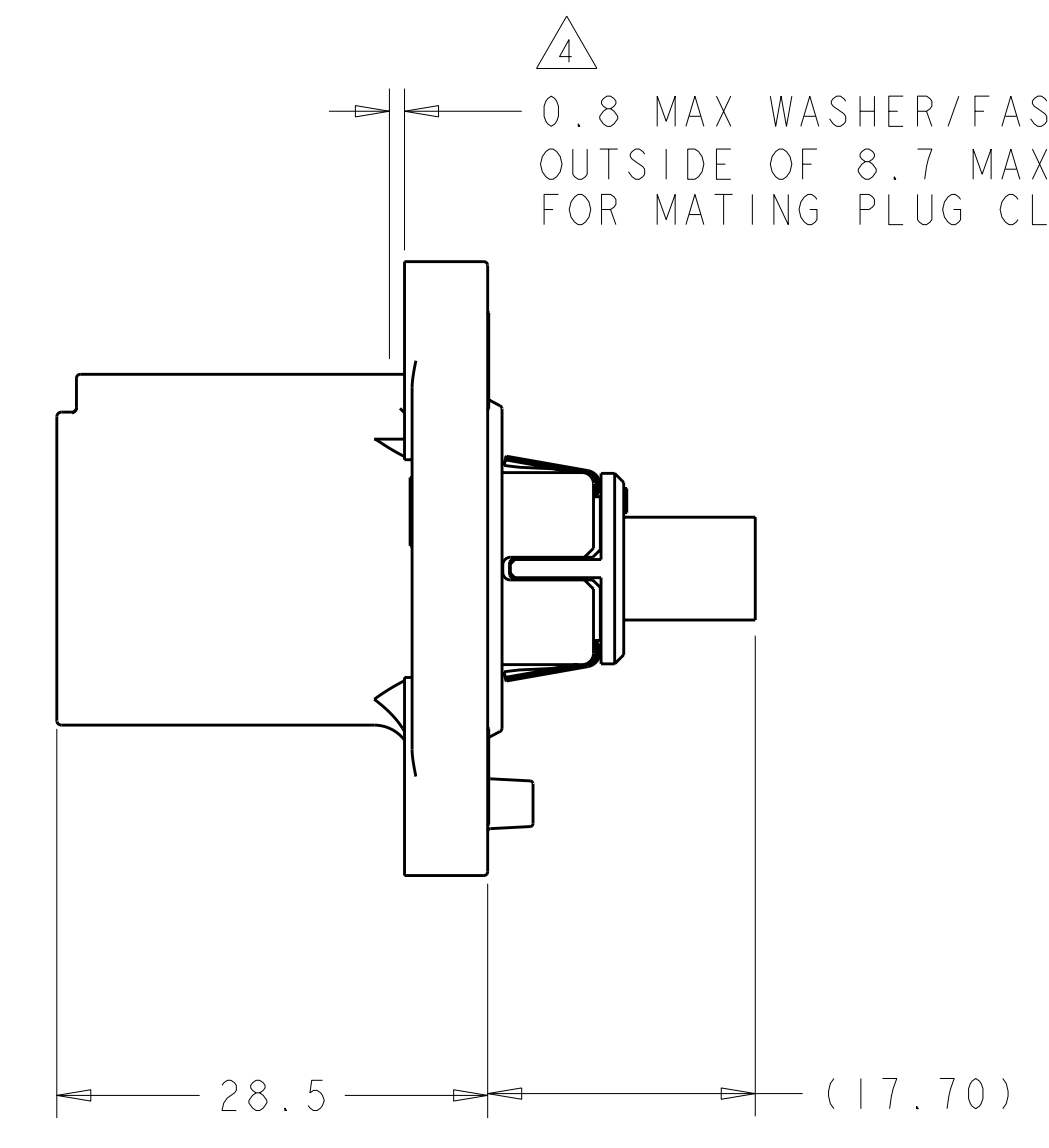
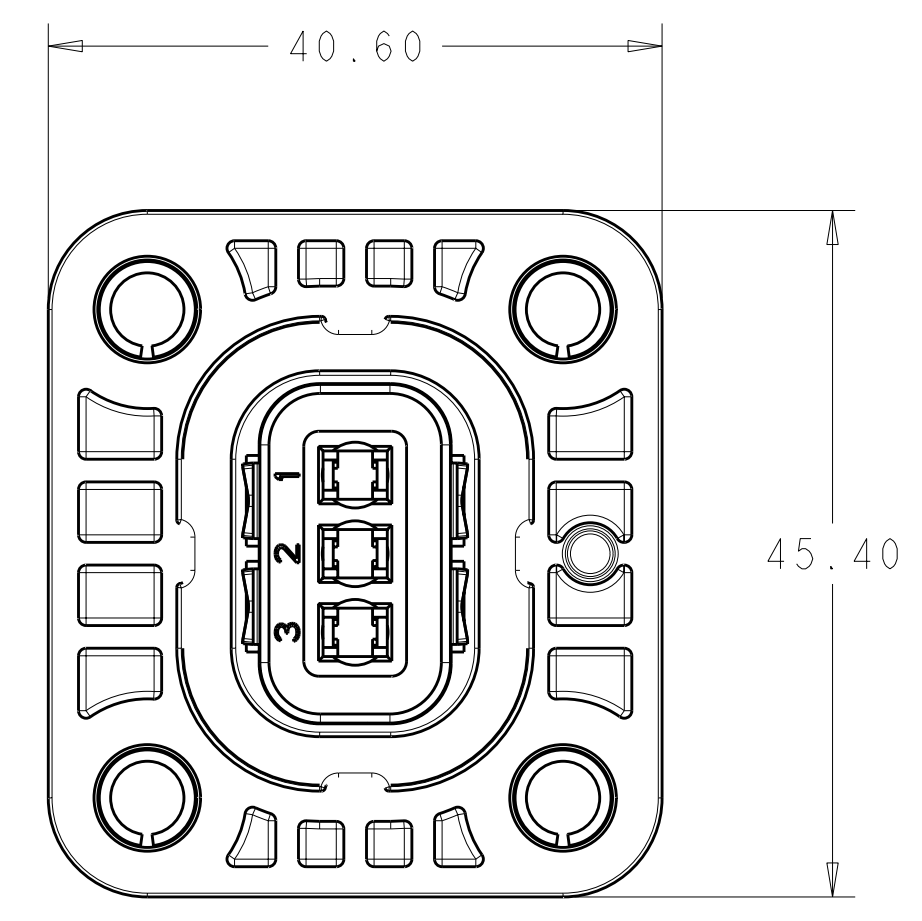
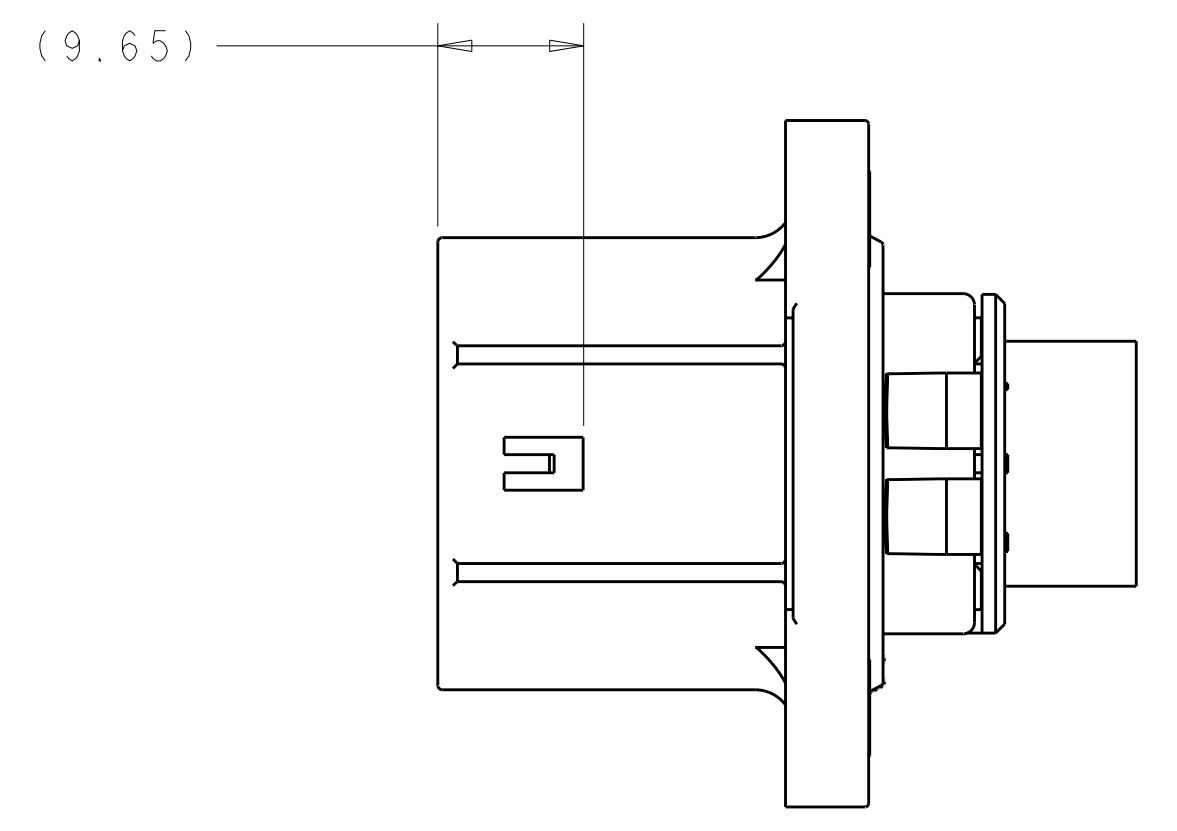
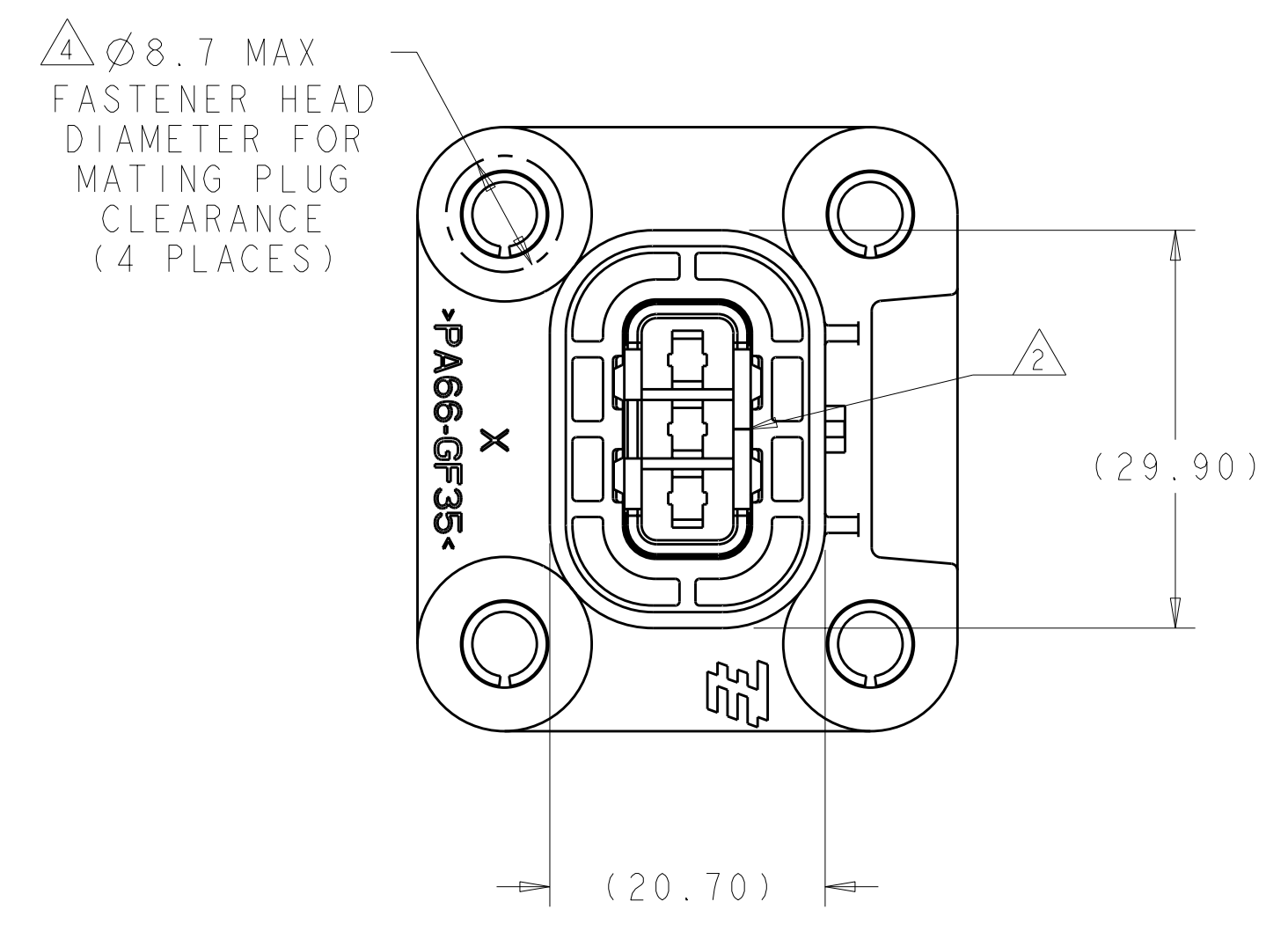
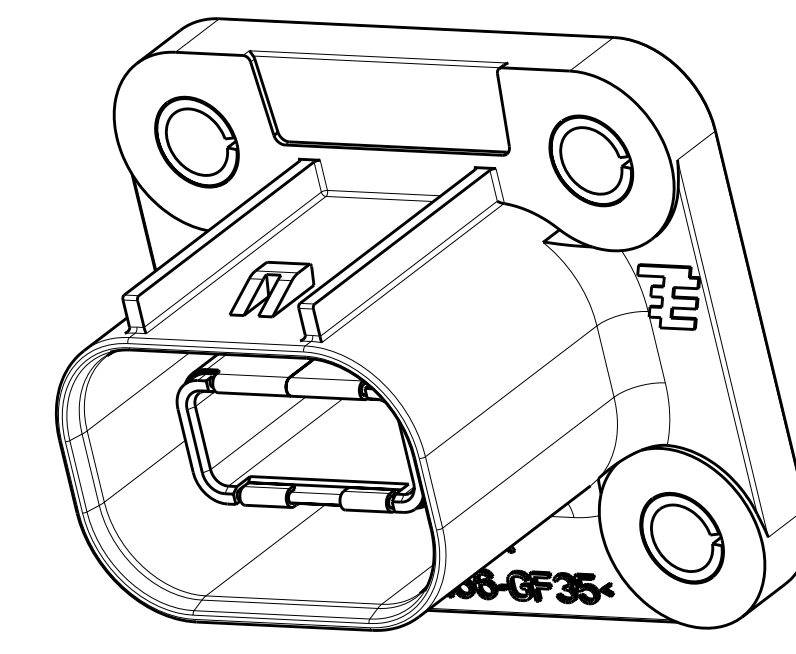


LOC		DIST		REVISIONS			
REV	DATE	DESCRIPTION	DATE	DWN	APVD	TD	TD
A		REVISED PER ECR-11-020171	03OCT2011	TD			

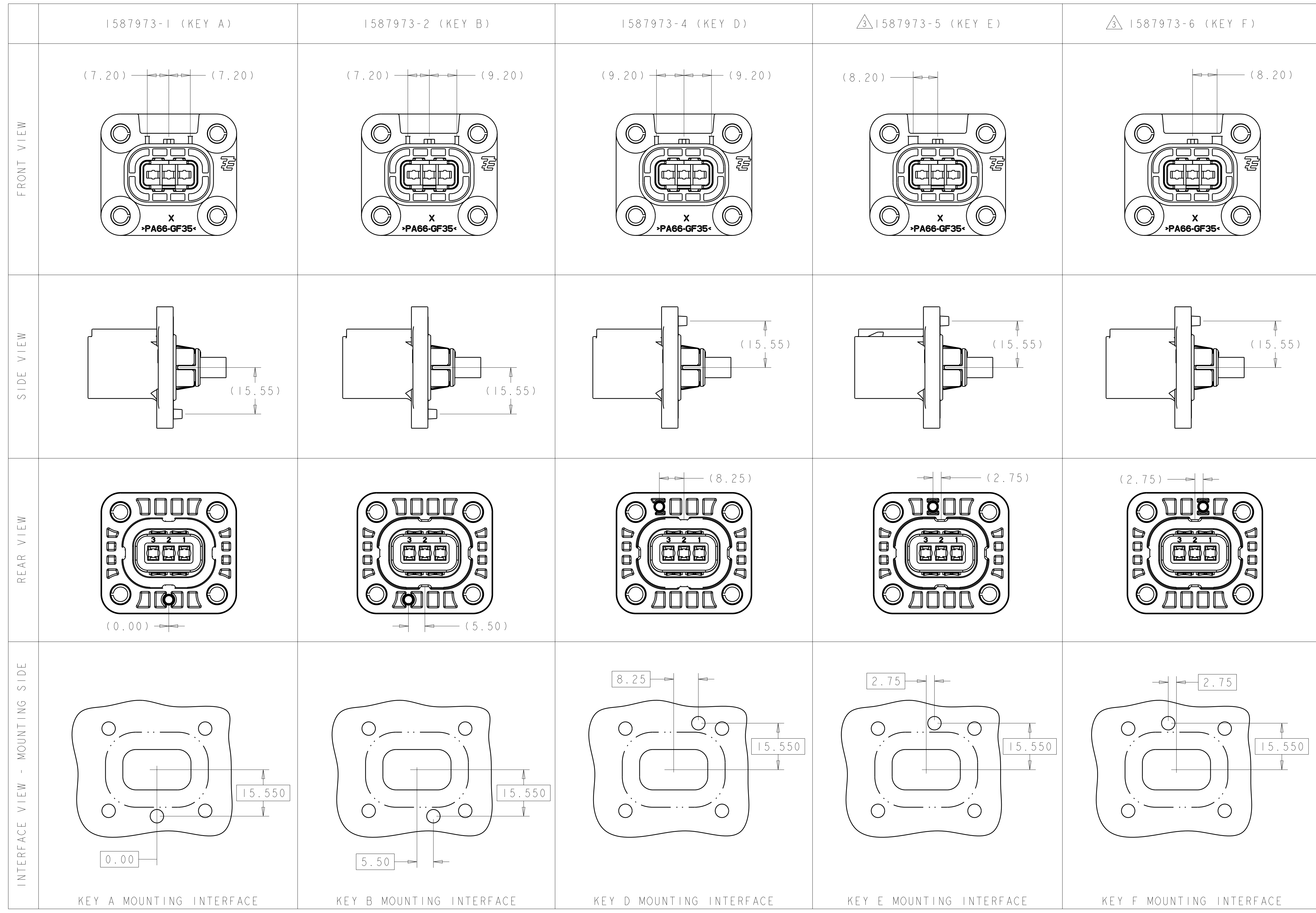


- Δ IDENTIFICATION MARKING ON THIS SURFACE CONTAINS ASSEMBLY P/N AND DATE CODE (YYDD). TEXT ORIENTATION, SIZE, AND LOCATION CAN VARY AS LONG AS TEXT IS ON SURFACE SHOWN AND READABLE.
- Δ SHIELD SEAM CAN BE POSITIONED AS SHOWN OR ROTATED 180° FROM POSITION SHOWN.
- Δ PRELIMINARY PART - NOT RELEASED FOR PRODUCTION
- Δ THESE DIMENSIONS DEFINE FASTENER SIZE LIMITS FOR PROPER COMPONENT FUNCTIONALITY. END USER MUST ENSURE FASTENER AND/OR WASHER DIAMETER IS 8.6 MM MIN FOR PROPER RETENTION. THESE ARE NOT PRODUCT FEATURES - NO INSPECTION REQUIRED FOR THESE ITEMS.
- Δ SURFACE FINISH APPLIES IN THIS AREA
- Δ REFER TO TE WORK INSTRUCTION 408-10273 FOR ASSEMBLY INSTRUCTIONS

INDEX	PART NO
F	1587973-6
E	1587973-5
D	1587973-4
B	1587973-2
A	1587973-1

DIMENSIONS: mm TOLERANCES UNLESS OTHERWISE SPECIFIED: 9 PLC ±0.5 1 PLC ±0.5 3 PLC ±0.15 4 PLC ±0.05 ANGLES ±° FINISH		DWN T. DEWILITE 15JUL2009 CHK T. DEWILITE 15JUL2009 APVD T. DEWILITE PRODUCT SPEC APPLICATION SPEC WEIGHT 23.0 g CUSTOMER DRAWING	Tyco Electronics Harrisburg, PA 17105-3608 NAME HVA280 3P HEADER ASSY - PLASTIC CHART DRAWING SIZE CAGE CODE DRAWING NO RESTRICTED TO A 100779 C=1587973 SCALE 2:1 SHEET 1 OF 2 REV A
-------------------------------------------------------------------------------------------------------------------------------------------	--	-----------------------------------------------------------------------------------------------------------------------------------------------------	---------------------------------------------------------------------------------------------------------------------------------------------------------------------------------------------------------

LOC		DIST		REVISIONS			
REV	DATE	DESCRIPTION	DATE	BY	APPD		
-	-	SEE SHEET 1	-	-	-		



<small>THIS DRAWING IS UNPUBLISHED. RELEASED FOR PUBLICATION. COPYRIGHT © 20 BY TYCO ELECTRONICS CORPORATION. ALL RIGHTS RESERVED.</small>		DWN T. DEWILTE 15JUL2009 CHK T. DEWILTE 15JUL2009 APVD T. DEWILTE PRODUCT SPEC APPLICATION SPEC WEIGHT 23.0 g CUSTOMER DRAWING	Tyco Electronics Harrisburg, PA 17105-3608 NAME HVA280 3P HEADER ASSY - PLASTIC CHART DRAWING SIZE CAGE CODE DRAWING NO RESTRICTED TO A 100779 C-1587973 SCALE 2:1 SHEET 2 OF 2 REV A
DIMENSIONS: mm 	TOLERANCES UNLESS OTHERWISE SPECIFIED: 0 PLC ±0.5 1 PLC ±0.5 3 PLC ±0.15 4 PLC ±0.05 ANGLES ±° FINISH	TYPICAL DIMENSIONS 15.550 8.25 2.75 0.00 5.50	

X-ON Electronics

Largest Supplier of Electrical and Electronic Components

Click to view similar products for [Automotive Connectors](#) category:

Click to view products by [TE Connectivity](#) manufacturer:

Other Similar products are found below :

[003-018-000](#) [60403001](#) [60993906-B](#) [M902-2131](#) [M902-2161](#) [72.330.1035.1](#) [73.353.4028.0](#) [F119300-B](#) [F166900](#) [F258300-B](#) [F358300-B](#)
[F407400](#) [F444110](#) [F487000](#) [F509500B-B](#) [827153-1](#) [8N1515-32-24P](#) [9-1326729-8](#) [925474-1](#) [928905-1](#) [964562-4](#) [968782-1](#) [GT17SA-8DS-](#)
[HU](#) [98891-1012](#) [98947-1016](#) [12004147](#) [12004475-L](#) [12010290](#) [12010309-B](#) [12015454](#) [12020219-B](#) [12020308](#) [12041318-B](#) [12052225-L](#)
[12052466](#) [12059125](#) [12064869](#) [12004327-B](#) [12010503-B](#) [12015308](#) [12015384](#) [12015909](#) [1-21030-1](#) [12041254](#) [12041318](#) [12047946-B](#)
[12047957](#) [12047957-L](#) [12059473](#) [12066261](#)