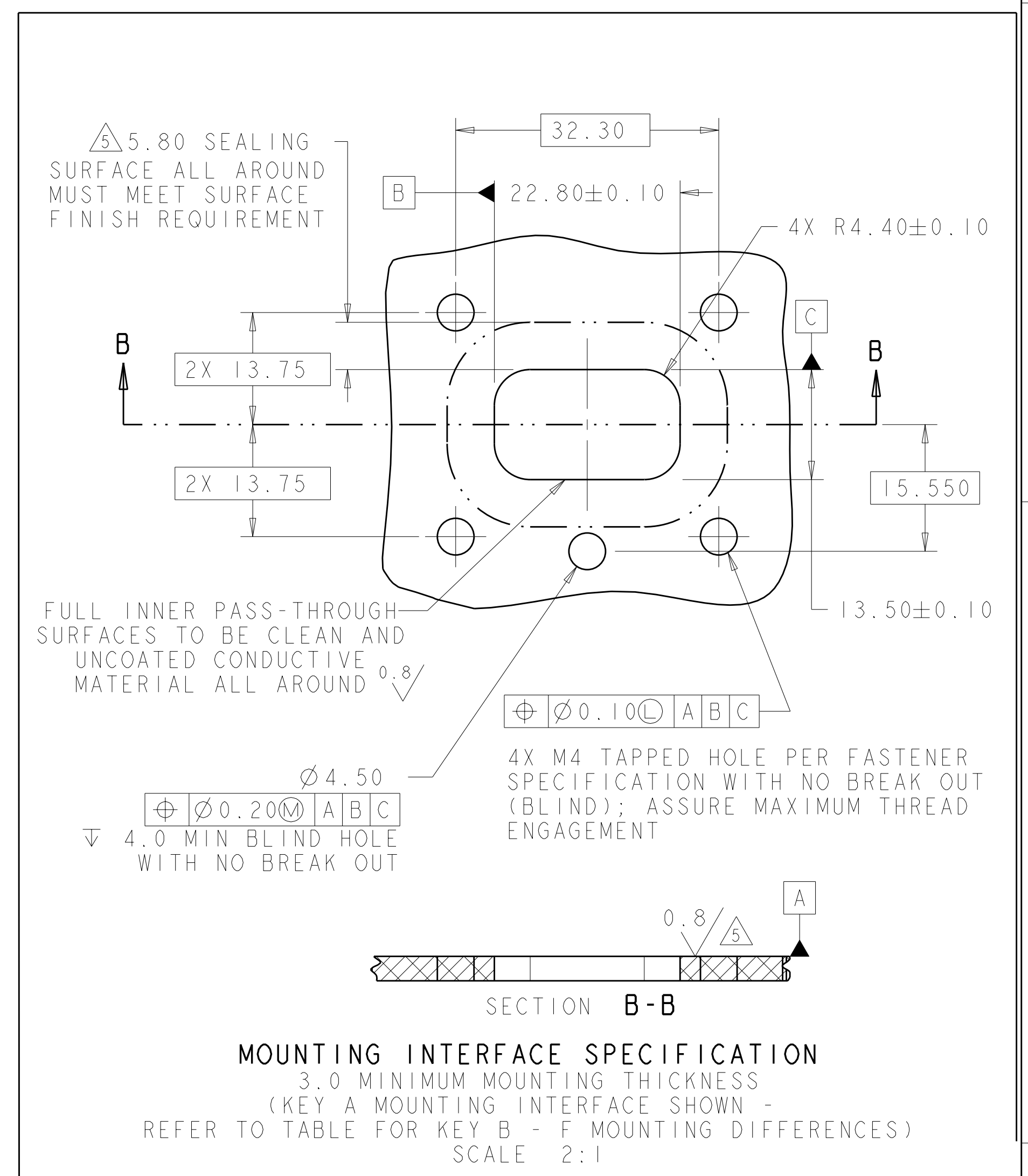
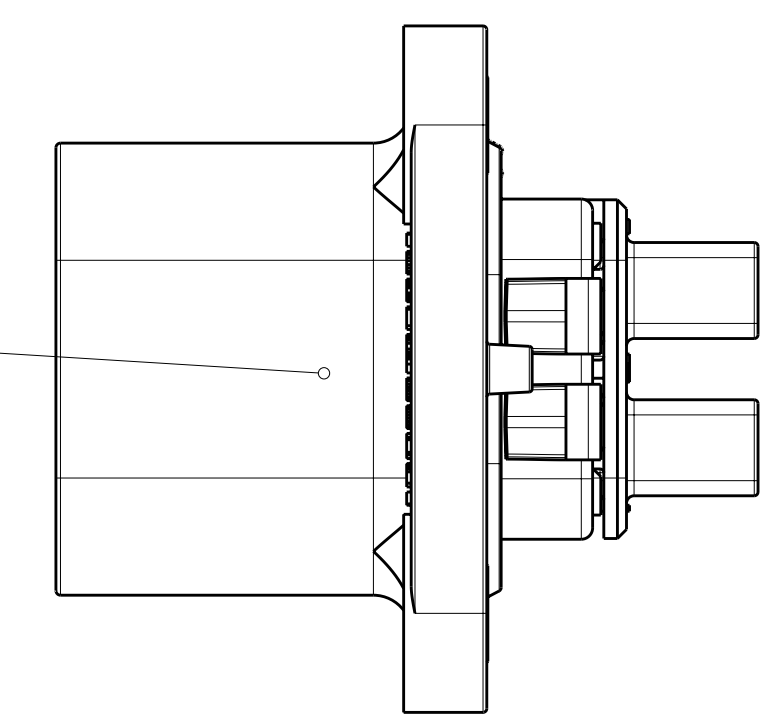
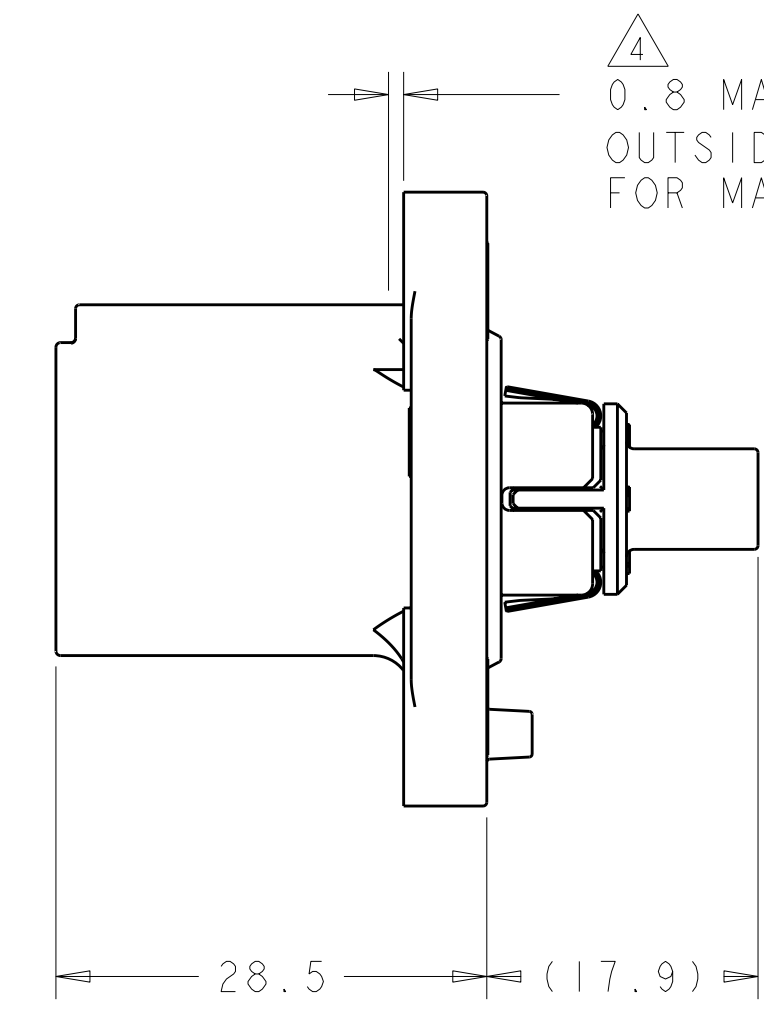
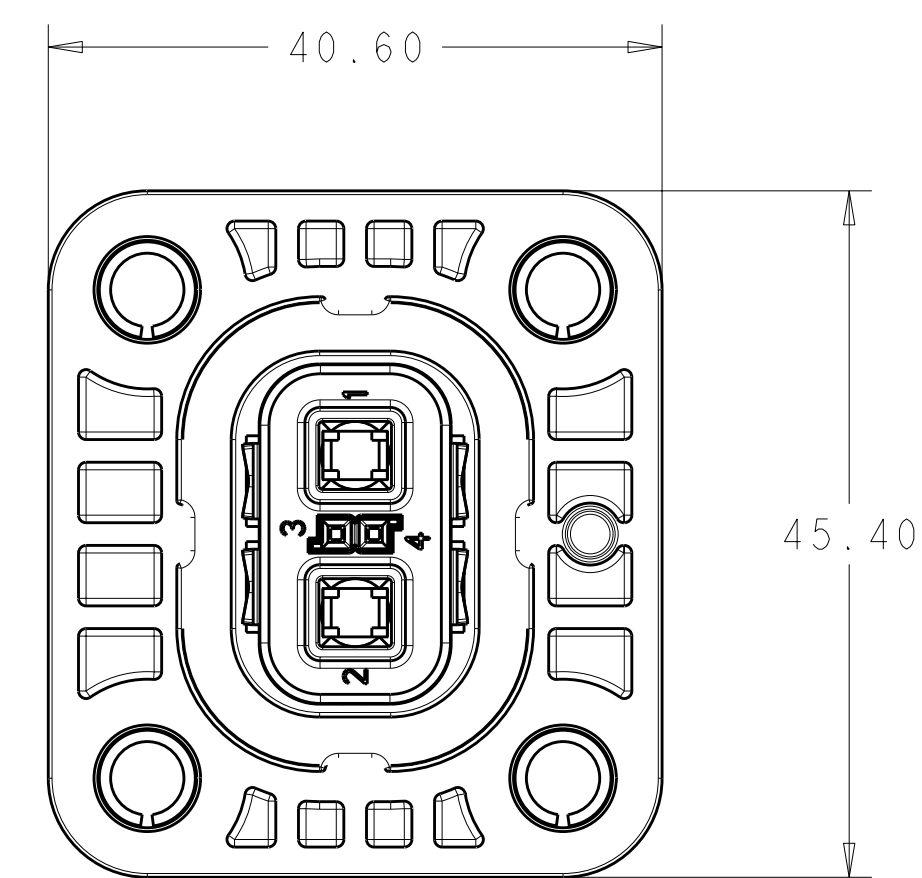
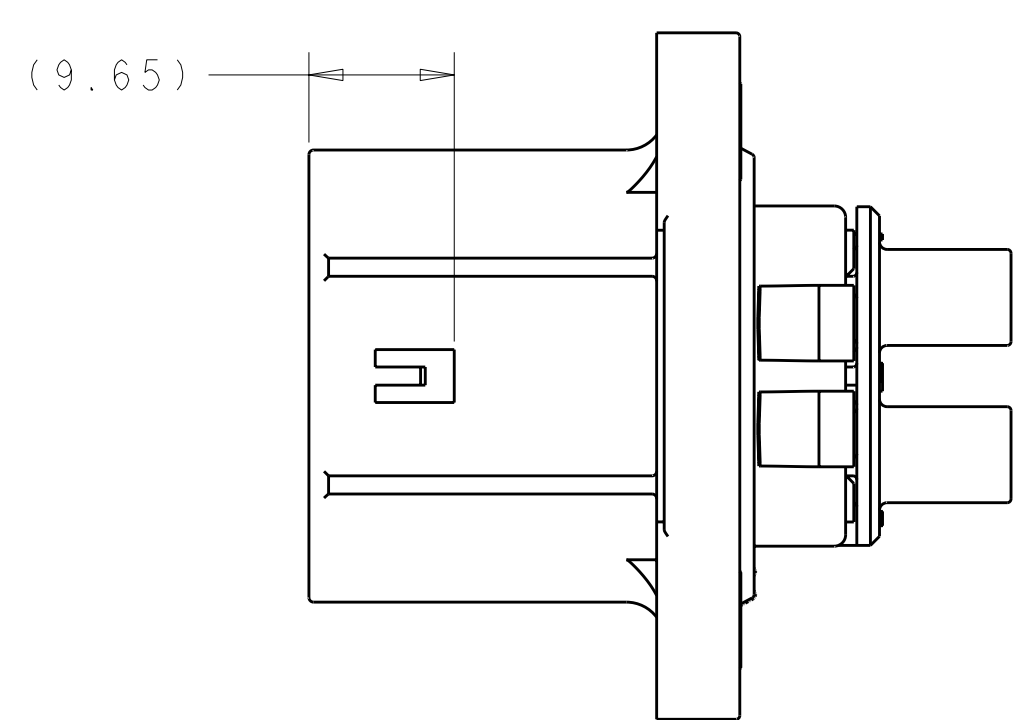
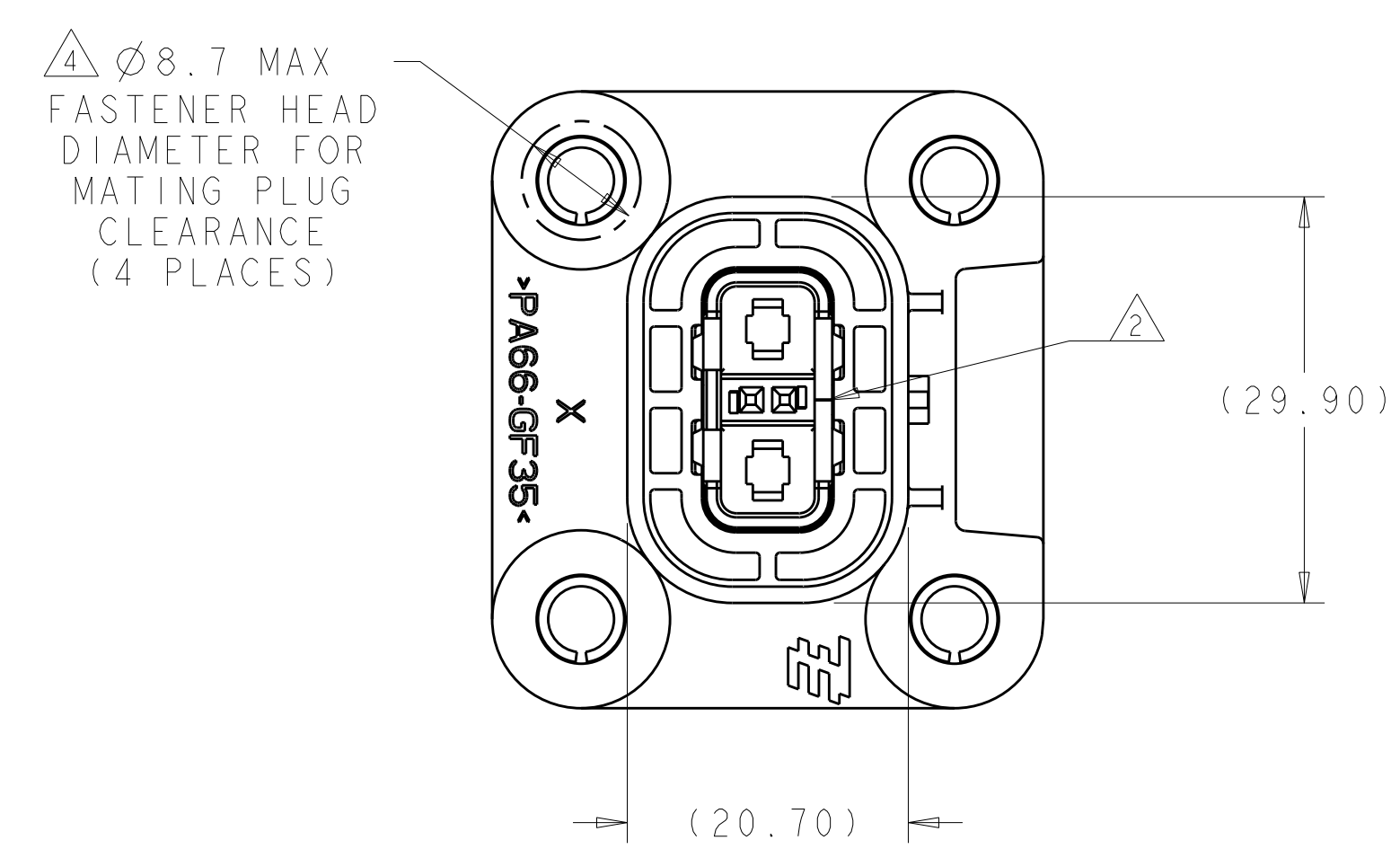
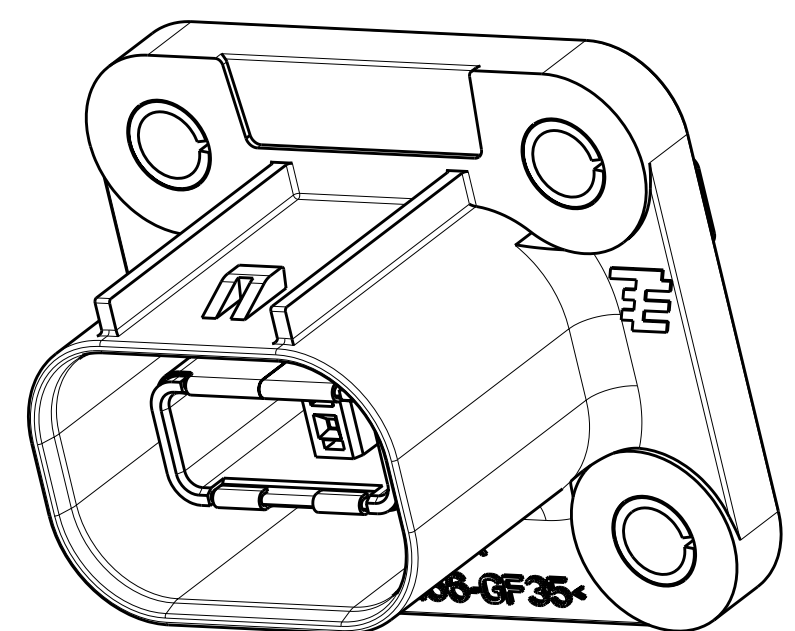


LOC	DIST	REVISIONS			
P	LTR	DESCRIPTION	DATE	OWN	APVD
A		REVISED PER ECR-11-020171	03OCT2011	TD	TD



- 1 IDENTIFICATION MARKING ON THIS SURFACE CONTAINS ASSEMBLY P/N AND DATE CODE (YYDD). TEXT ORIENTATION, SIZE, AND LOCATION CAN VARY AS LONG AS TEXT IS ON SURFACE SHOWN AND READABLE.
- 2 SHIELD SEAM CAN BE POSITIONED AS SHOWN OR ROTATED 180° FROM POSITION SHOWN.
- 3 PRELIMINARY PART - NOT RELEASED FOR PRODUCTION
- 4 THESE DIMENSIONS DEFINE FASTENER SIZE LIMITS FOR PROPER COMPONENT FUNCTIONALITY. END USER MUST ENSURE FASTENER AND/OR WASHER DIAMETER IS 8.6 MM MIN FOR PROPER RETENTION. THESE ARE NOT PRODUCT FEATURES - NO INSPECTION REQUIRED FOR THESE ITEMS.
- 5 SURFACE FINISH APPLIES IN THIS AREA
- 6 REFER TO TE WORK INSTRUCTION 408-10294 FOR ASSEMBLY INSTRUCTIONS

INDEX	PART NO
F	1587975-6
E	1587975-5
D	1587975-4
B	1587975-2
A	1587975-1

DIMENSIONS: mm TOLERANCES UNLESS OTHERWISE SPECIFIED: 9 PLC ±0.50 1 PLC ±0.50 5 PLC ±0.15 4 PLC ±0.05 ANGLES ±0.5 FINISH		DWN T. DEWILTE 22JUL2009 CHK T. DEWILTE 16JUN2010 APVD T. DEWILTE 16JUN2010 NAME PRODUCT SPEC APPLICATION SPEC WEIGHT 23.5 g CUSTOMER DRAWING	Tyco Electronics Harrisburg, PA 17105-3608 HVA280 2P HEADER ASSY W/HVIL - PLASTIC CHART DRAWING SIZE CAGE CODE DRAWING NO A 100779 C=1587975 SCALE 2:1 SHEET 1 OF 2 REV A
---	--	--	--

LOC	DIST	REVISIONS			
HW	00	REV	DATE	BY	APPD
		1	SEE SHEET 1		

	1587975-1 (KEY A)	1587975-2 (KEY B)	1587975-4 (KEY D)	△ 1587975-5 (KEY E)	△ 1587975-6 (KEY F)
FRONT VIEW					
SIDE VIEW					
REAR VIEW					
INTERFACE VIEW - MOUNTING SIDE					
	KEY A MOUNTING INTERFACE	KEY B MOUNTING INTERFACE	KEY D MOUNTING INTERFACE	KEY E MOUNTING INTERFACE	KEY F MOUNTING INTERFACE

DIMENSIONS: mm 		TOLERANCES UNLESS OTHERWISE SPECIFIED: 9 PLC ±0.50 1 PLC ±0.50 5 PLC ±0.15 4 PLC ±0.05 ANGLES ±° FINISH ±#3		DWN T. DEWILTE 22JUL2009 CHK T. DEWILTE 16JUN2010 APVD T. DEWILTE 16JUN2010 PRODUCT SPEC APPLICATION SPEC WEIGHT 23.5 g CUSTOMER DRAWING		Tyco Electronics Harrisburg, PA 17105-3608 NAME HVA280 2P HEADER ASSY W/HVIL - PLASTIC CHART DRAWING SIZE CAGE CODE DRAWING NO RESTRICTED TO A 100779 C=1587975 SCALE 2:1 SHEET 2 OF 2 REV A	
-----------------------	--	---	--	--	--	---	--

## X-ON Electronics

Largest Supplier of Electrical and Electronic Components

*Click to view similar products for [Automotive Connectors](#) category:*

*Click to view products by [TE Connectivity](#) manufacturer:*

Other Similar products are found below :

[003-018-000](#) [60403001](#) [60993906-B](#) [M902-2131](#) [M902-2161](#) [72.330.1035.1](#) [73.353.4028.0](#) [F119300-B](#) [F166900](#) [F258300-B](#) [F358300-B](#)  
[F407400](#) [F444110](#) [F487000](#) [F509500B-B](#) [827153-1](#) [8N1515-32-24P](#) [9-1326729-8](#) [925474-1](#) [928905-1](#) [964562-4](#) [968782-1](#) [GT17SA-8DS-](#)  
[HU](#) [98891-1012](#) [98947-1016](#) [12004147](#) [12004475-L](#) [12010290](#) [12010309-B](#) [12015454](#) [12020219-B](#) [12020308](#) [12041318-B](#) [12052225-L](#)  
[12052466](#) [12059125](#) [12064869](#) [12004327-B](#) [12010503-B](#) [12015308](#) [12015384](#) [12015909](#) [1-21030-1](#) [12041254](#) [12041318](#) [12047946-B](#)  
[12047957](#) [12047957-L](#) [12059473](#) [12066261](#)