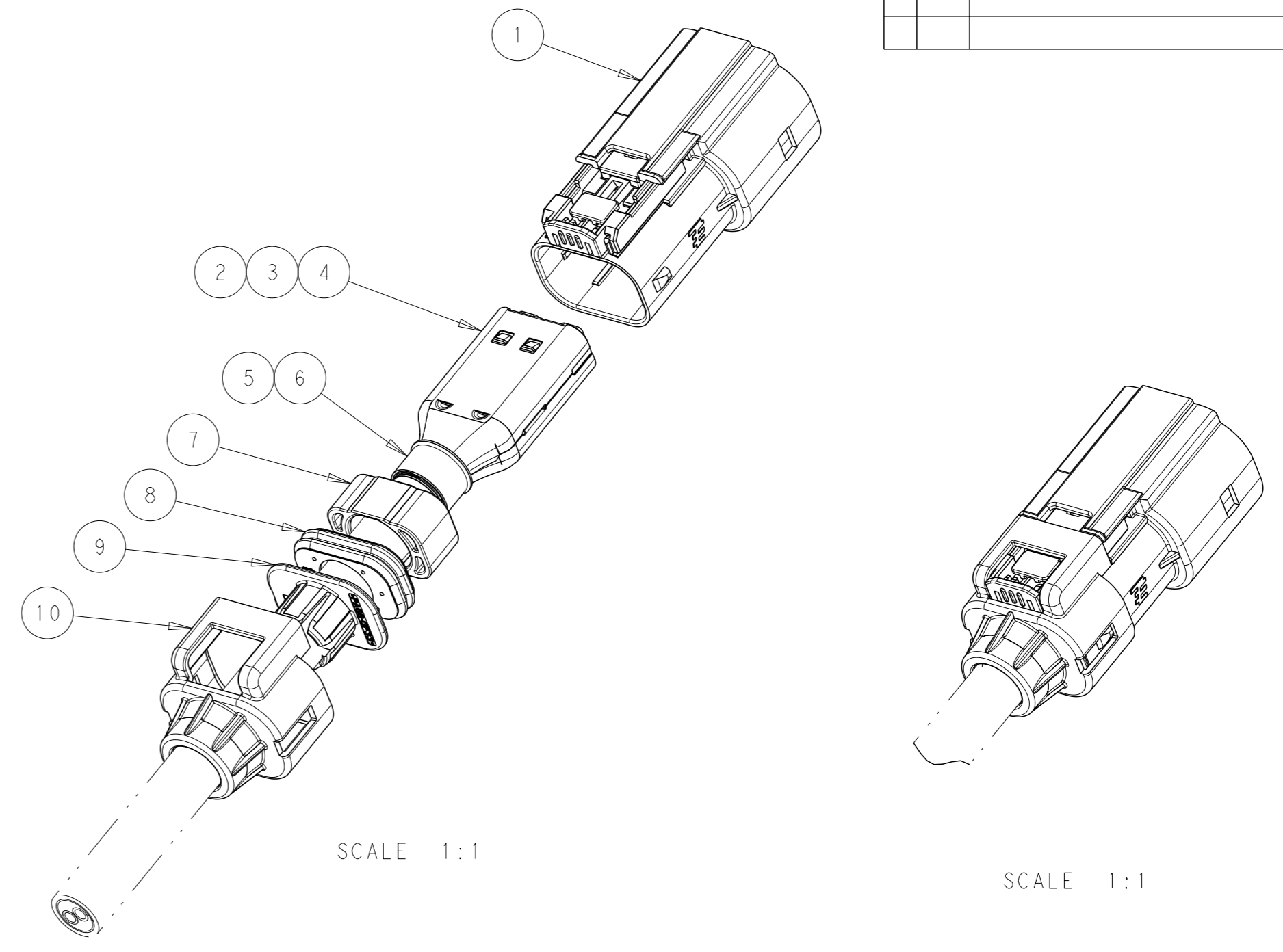
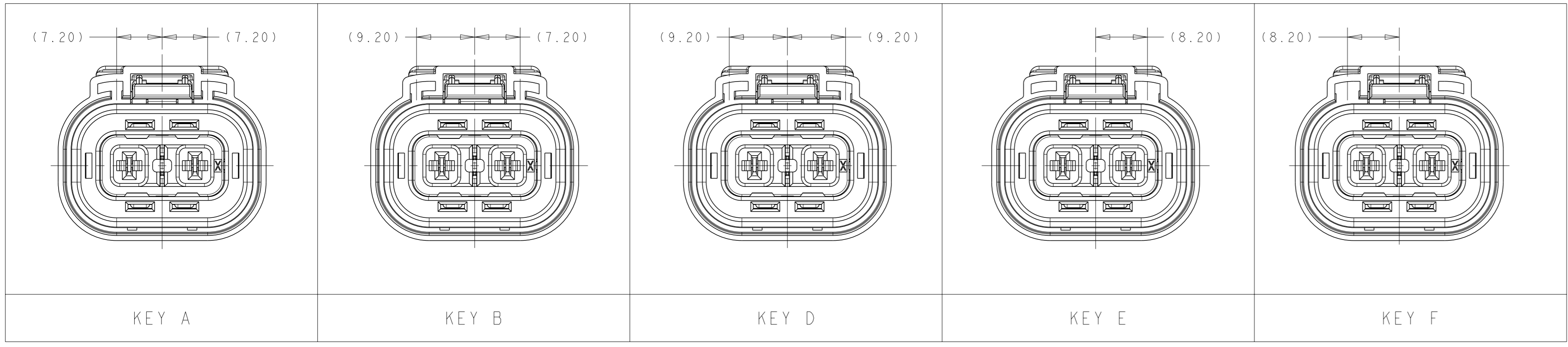
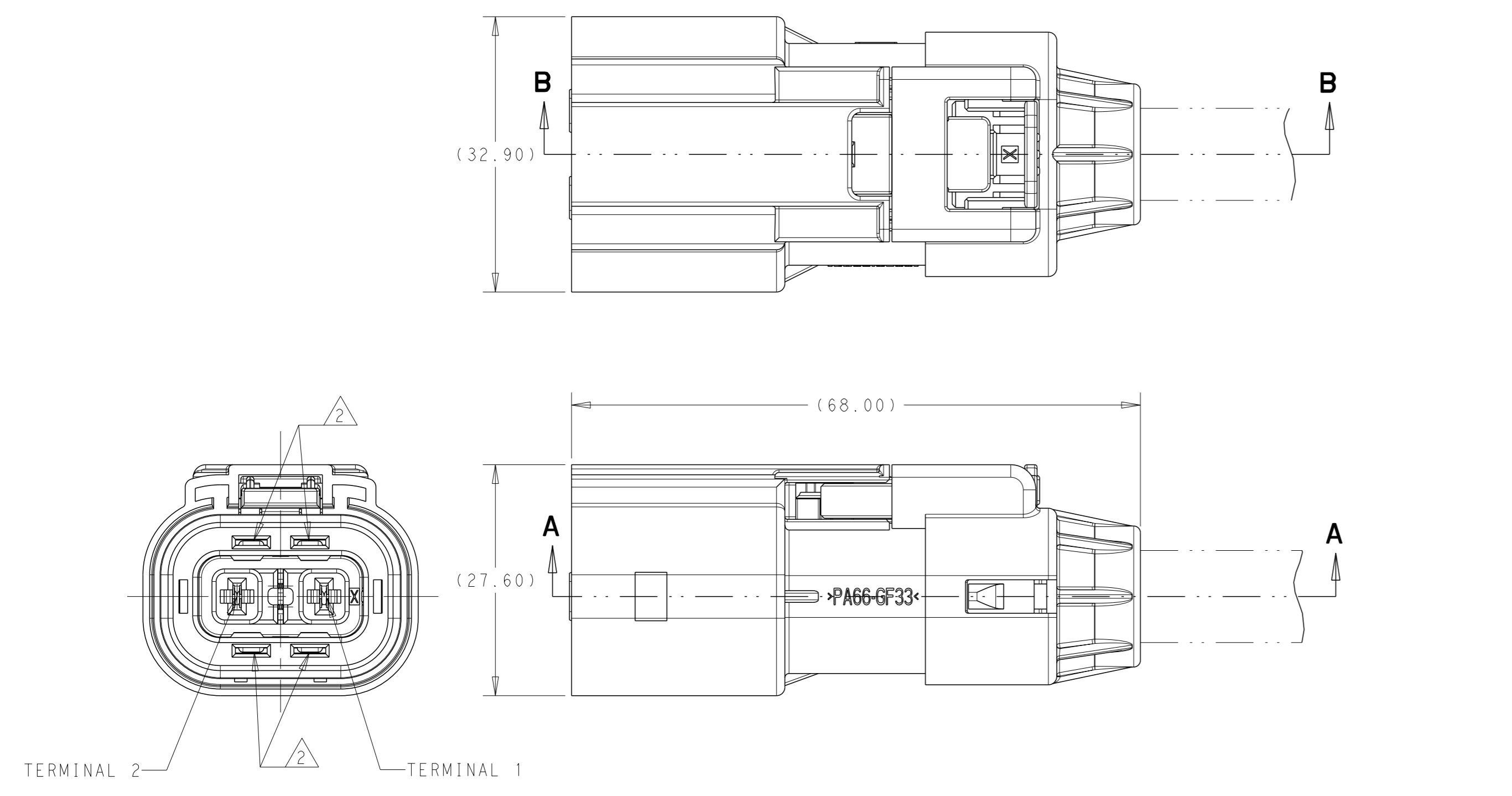


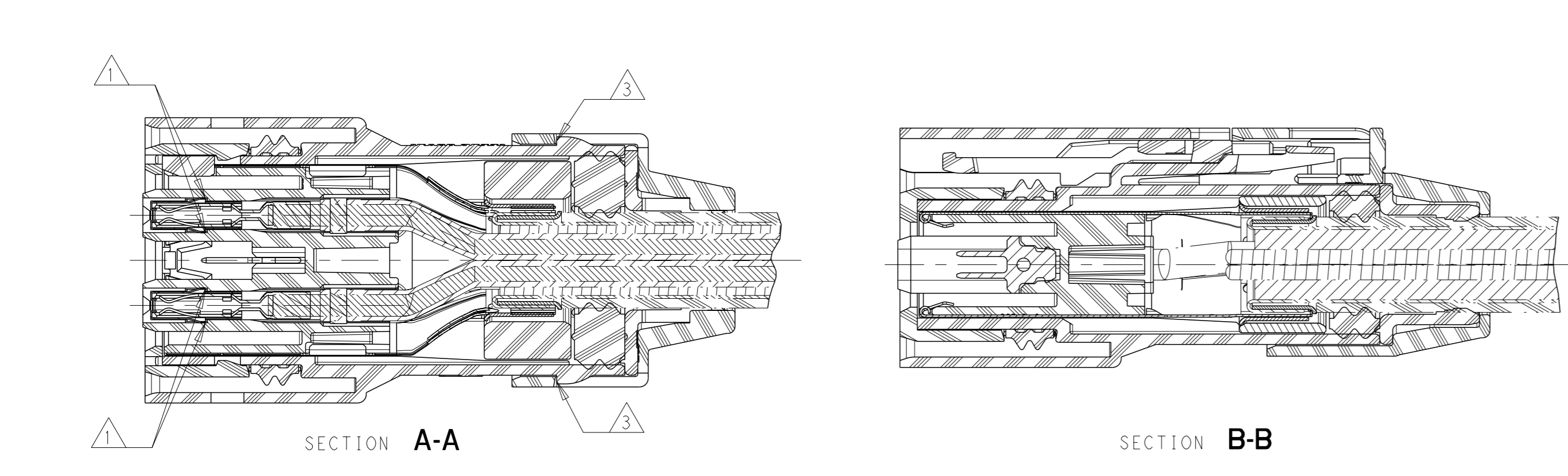
REVISIONS					
#	LT#	DESCRIPTION	DATE	OWN	APVD
A2		ECO-14-004886	31MAR2014	DR	DR
A3		ECO-18-014358	09SEP2018	PK	DR



- 1 ALL TERMINALS MUST BE FULLY SEATED AND LOCKED IN POSITION TWO PLACES PER TERMINAL
- 2 INNER HOUSING SUB-ASSEMBLY MUST BE FULLY LOCKED 4 PLACES
- 3 CABLE SEAL RETAINER MUST BE FULLY LOCKED 2 PLACES
- 4 PARTS ARE NOT AVAILABLE BY THESE NUMBERS FULLY ASSEMBLED AS SHOWN. FINAL ASSEMBLY REQUIRES INDIVIDUAL COMPONENTS OR SUB-ASSEMBLIES LISTED IN THE PARTS LIST AND AVAILABLE SEPARATELY FROM TE. CONSULT INDIVIDUAL CUSTOMER DRAWINGS FOR PART RELEASE STATUS.
- 5 VALIDATED CABLE / SUBCOMPONENT COMBINATION
- 6. MATES WITH Ag SHIELD HEADERS SHOWN ON TE DRAWING 2103124
- 7. NOTE DELETED



QTY	F	F	D	B	A	F	F	D	B	A	F	E	D	B	A	QTY REQ PER ASSY	DESCRIPTION	ITEM NO	
1	1	1	1	1	1	1	1	1	1	1	1	1	1	1	1	1	2103013-2	SEAL RETAINER, CABLE, SIZE 2	10
—	—	—	—	—	—	—	—	—	—	—	—	—	—	—	—	1	2103013-1	SEAL RETAINER, CABLE, SIZE 1	10
1	1	1	1	1	1	1	1	1	1	1	1	1	1	1	1	—	2103155-3	COLLET, SIZE 3	9
—	—	—	—	—	—	—	—	—	—	—	—	—	—	—	—	1	2103155-1	COLLET, SIZE 1	9
1	1	1	1	1	1	1	1	1	1	1	1	1	1	1	1	—	2103154-3	SEAL, CABLE, SIZE 3	8
—	—	—	—	—	—	—	—	—	—	—	—	—	—	—	—	1	2103154-1	SEAL, CABLE, SIZE 1	8
1	1	1	1	1	1	1	1	1	1	1	1	1	1	1	1	—	2103153-1	SPACER	7
1	1	1	1	1	1	1	1	1	1	1	1	1	1	1	1	—	1587724-2	FERRULE, OUTER, SIZE B	6
—	—	—	—	—	—	—	—	—	—	—	—	—	—	—	—	1	1587724-3	FERRULE, OUTER, SIZE C	6
1	1	1	1	1	1	1	1	1	1	1	1	1	1	1	1	—	1587723-2	FERRULE, INNER, SIZE B	5
—	—	—	—	—	—	—	—	—	—	—	—	—	—	—	—	1	1587723-3	FERRULE, INNER, SIZE C	5
2	2	2	2	2	2	2	2	2	2	2	2	2	2	2	2	—	1-2103157-2	SHIELD, PLUG, Ag, SIZE 2	4
—	—	—	—	—	—	—	—	—	—	—	—	—	—	—	—	2	1-2103157-1	SHIELD, PLUG, Ag, SIZE 1	4
2	2	2	2	2	2	2	2	2	2	2	2	2	2	2	2	—	1-968851-3	MCP 2.8 TERMINAL FEMALE, Ag, >1.0-2.5mm ²	3
—	—	—	—	—	—	—	—	—	—	—	—	—	—	—	—	2	1-968853-3	MCP 2.8 TERMINAL FEMALE, Ag, >2.5-4.0mm ²	3
1	1	1	1	1	1	1	1	1	1	1	1	1	1	1	1	—	1587985-1	INNER HOUSING, SUBASSY, SHUNTED	2
1	—	—	—	1	—	—	—	—	—	—	—	—	—	—	—	—	4-2103015-6	PLUG SUBASSY, KEY F, FINGER LATCH, WITH CPA	1
—	1	—	—	—	1	—	—	—	—	—	—	—	—	—	—	—	4-2103015-5	PLUG SUBASSY, KEY E, FINGER LATCH, WITH CPA	1
—	—	1	—	—	—	1	—	—	—	—	—	—	—	—	—	—	4-2103015-4	PLUG SUBASSY, KEY D, FINGER LATCH, WITH CPA	1
—	—	—	1	—	—	—	—	—	—	—	—	—	—	—	—	—	4-2103015-2	PLUG SUBASSY, KEY B, FINGER LATCH, WITH CPA	1
—	—	—	—	1	—	—	—	—	—	—	—	—	—	—	—	—	4-2103015-1	PLUG SUBASSY, KEY A, FINGER LATCH, WITH CPA	1



REFERENCE NUMBER 4
 THESE NUMBERS ARE FOR REFERENCE PURPOSE ONLY AND ARE NOT FOR SALE

QTY REQ PER ASSY	MATERIAL	QTY REQ PER ASSY	MATERIAL	QTY REQ PER ASSY	MATERIAL	CABLE SUPPLIER / SPECIFICATION
5	COROPLAST 9-2641	5	DRAKA FLR91XBC33X	5	COROPLAST 9-2641	CABLE SIZE
5	2x2.5mm ²	5	2x4.0mm ²	5	2x4.0mm ²	

STE TE Connectivity

PLUG ASSEMBLY, SHUNTED HVIL, HVA280-2PHM, REFERENCE DRAWING

APVD: RHEIN 04MAR2013
 CHK: RHEIN 04MAR2013
 A: GUANCO 04MAR2013
 PRODUCT SPEC: 108-32020
 APPLICATION SPEC: 114-13305
 WEIGHT: -
 CUSTOMER DRAWING

SCALE 2:1 SHEET 1 OF 1 REV A3

X-ON Electronics

Largest Supplier of Electrical and Electronic Components

Click to view similar products for [Automotive Connectors](#) category:

Click to view products by [TE Connectivity](#) manufacturer:

Other Similar products are found below :

[003-018-000](#) [60403001](#) [60993906-B](#) [M902-2131](#) [M902-2161](#) [M902-2344](#) [72.330.1035.1](#) [73.353.4028.0](#) [F119300-B](#) [F166900](#) [F258300-B](#)
[F358300-B](#) [F407400](#) [F444110](#) [F487000](#) [F509500B-B](#) [827153-1](#) [8N1515-32-24P](#) [9-1326729-8](#) [925474-1](#) [928905-1](#) [964562-4](#) [968782-1](#)
[GT17SA-8DS-HU](#) [98891-1012](#) [98947-1016](#) [12004147](#) [12004475-L](#) [12010290](#) [12010309-B](#) [12015454](#) [12020219-B](#) [12041318-B](#) [12052225-](#)
[L](#) [12052466](#) [12064869](#) [12004327-B](#) [12015308](#) [12015384](#) [12015909](#) [1-21030-1](#) [12041254](#) [12041318](#) [12047946-B](#) [12047957](#) [12047957-L](#)
[12059473](#) [12066261](#) [12110546](#) [12110546-B](#)