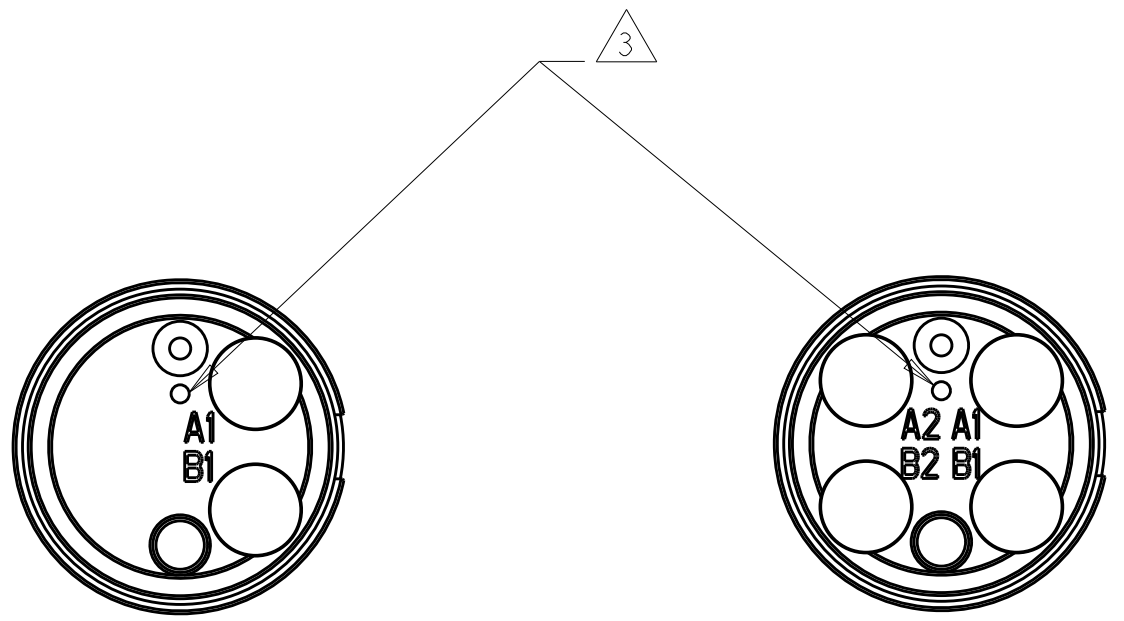
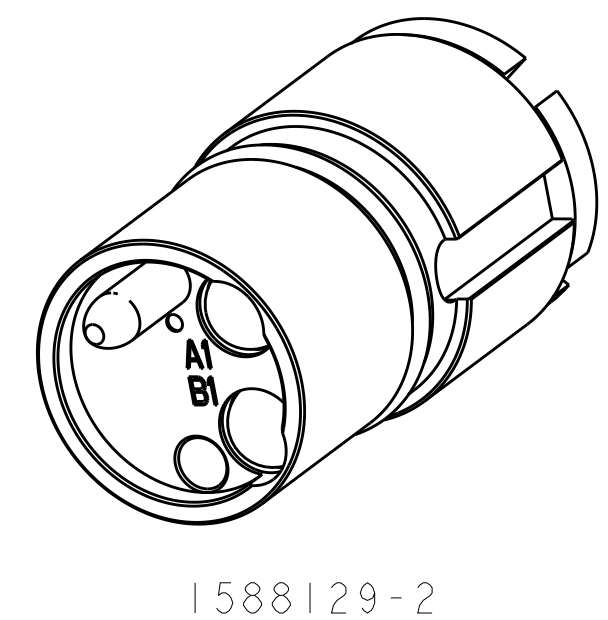
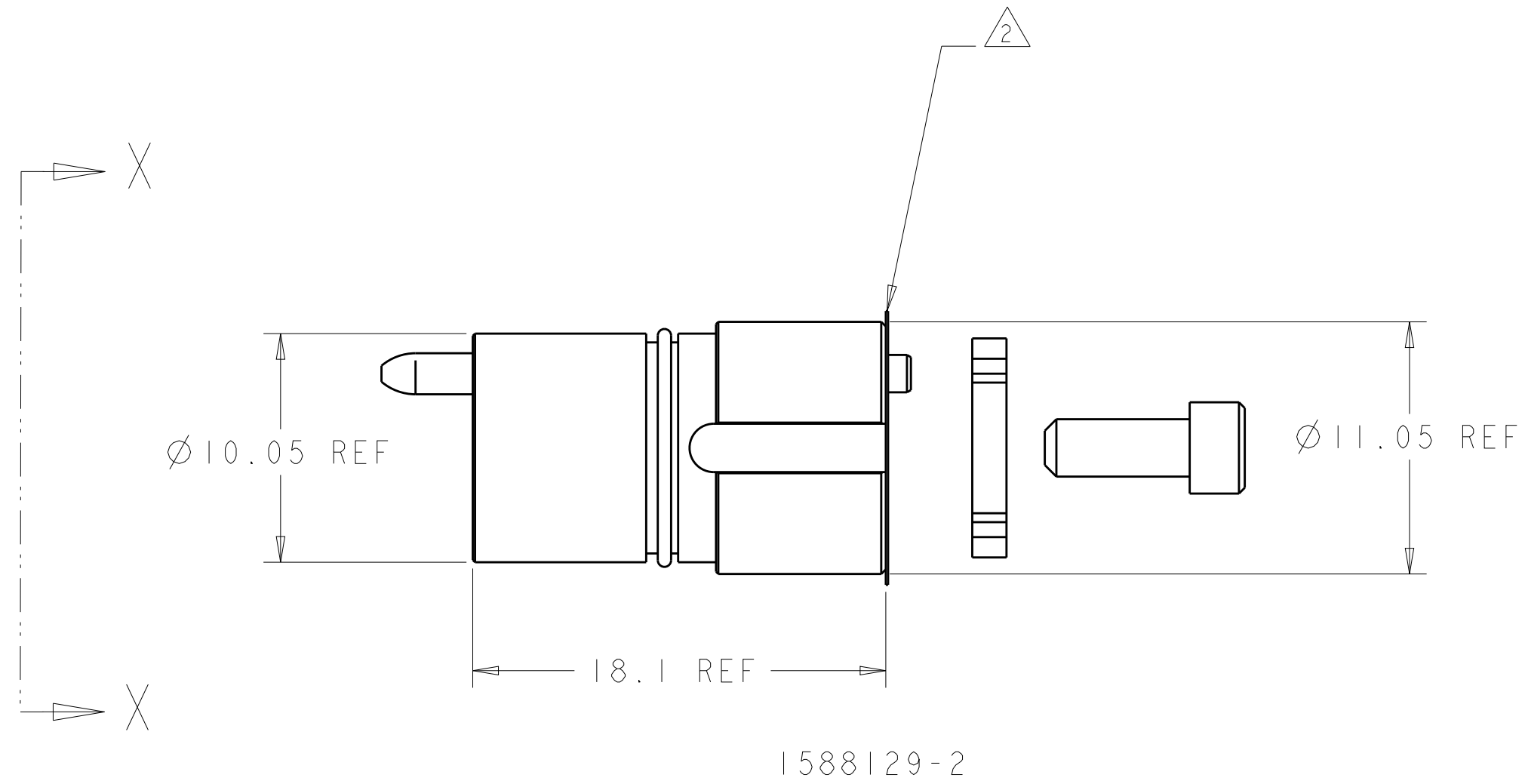


THIS DRAWING IS UNPUBLISHED. RELEASED FOR PUBLICATION 20
 © COPYRIGHT 20 BY - ALL RIGHTS RESERVED.

REVISIONS					
P	LTR	DESCRIPTION	DATE	DWN	APVD
	E1	ECR-09-024182	05NOV2009	KG	DW
	F	ECR-17-001097	25JAN2017	KG	DW

- 1. THIS PRODUCT HAS NOT COMPLETED VALIDATION TESTING.
- 2. PROTECTIVE LABEL APPLIED AFTER FINAL CLEAN ROOM TEST TO PREVENT OPTICAL CAVITY CONTAMINATION. REMOVE ONLY WHEN READY TO ASSEMBLE.
- 3. SINGLEMODE IDENTIFIER
- 4. FOR USE WITH JACKETED CABLE FERRULE ASSEMBLY P/N 1754456-1, 125um, OR 1754456-2, 126um. ONE PER FIBER; PC-POLISH.
- 5. FOR USE WITH FERRULE ASSEMBLY KIT P/N 1754700-1, 125um, OR 1754700-3, 125.5um. ONE PER FIBER; PC-POLISH.



1588129-2/-4 1588129-3/-5

VIEW X-X
 (SHOWN WITHOUT PROTECTIVE LABEL)

4	4 CHANNEL, 1310/1550nm SM	1588129-5
4	2 CHANNEL, 1310/1550nm SM	1588129-4
5	4 CHANNEL, 1310/1550nm SM	1588129-3
5	2 CHANNEL, 1310/1550nm SM	1588129-2
DESCRIPTION		PART NUMBER

THIS DRAWING IS A CONTROLLED DOCUMENT.		DWN 16 APR 2004 K. GLATFELTER	Tyco Electronics STE TE Connectivity	
DIMENSIONS: mm		CHK 07 JUN 2004 D. WERTMAN	NAME INSERT ASSEMBLY, MINI EB, 1310/1550nm, SM	
TOLERANCES UNLESS OTHERWISE SPECIFIED:		APVD 07 JUN 2004 D. WERTMAN	PRODUCT SPEC -	
0 PLC ±		APPLICATION SPEC -		
1 PLC ±		WEIGHT -		
2 PLC ±		SIZE A2		
3 PLC ±		CAGE CODE 00779		
4 PLC ±		DRAWING NO C-1588129		
ANGLES ±		RESTRICTED TO -		
FINISH N/A		SCALE 4:1		
MATERIAL STAINLESS ALLOYS & NBR		SHEET OF		
		REV F		

X-ON Electronics

Largest Supplier of Electrical and Electronic Components

Click to view similar products for [Fibre Optic Connectors](#) category:

Click to view products by [TE Connectivity](#) manufacturer:

Other Similar products are found below :

[0004700001](#) [6100-R](#) [6313](#) [F709034706](#) [F709722200](#) [F709730000](#) [F718183204](#) [F727403500](#) [F727752800](#) [8119](#) [9440F20-27S-190](#) [944-120-6001](#) [9441F10SL-3S](#) [9444W28-21S](#) [9444W36-10S](#) [9446F10SL-4S](#) [9446W20-16S](#) [953-101-5310-P](#) [954-101-57202B](#) [A0270169](#) [12-9122](#) [12-5702](#) [AX101713](#) [AX102420](#) [AX103923](#) [AX104024](#) [AX104193](#) [AX104230](#) [AX104562](#) [AX105203-B25](#) [AX105205-S1](#) [EHSC2M](#) [181-011-126](#) [181-011-S](#) [181-057-126](#) [HRFC-R2\(40\)](#) [NKSOPBUY](#) [20500002116](#) [2064996-1](#) [20800001065](#) [2170](#) [9132](#) [2612](#) [2620](#) [9291](#) [9440F16-10S](#) [9440F20-18S](#) [9446F16-10S-190](#) [953-106-50231](#) [953-120-5003](#)