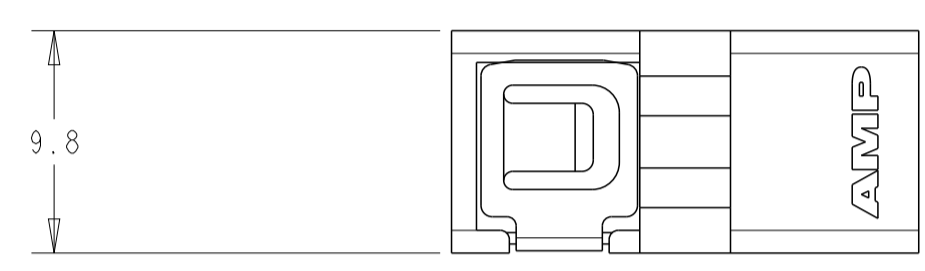
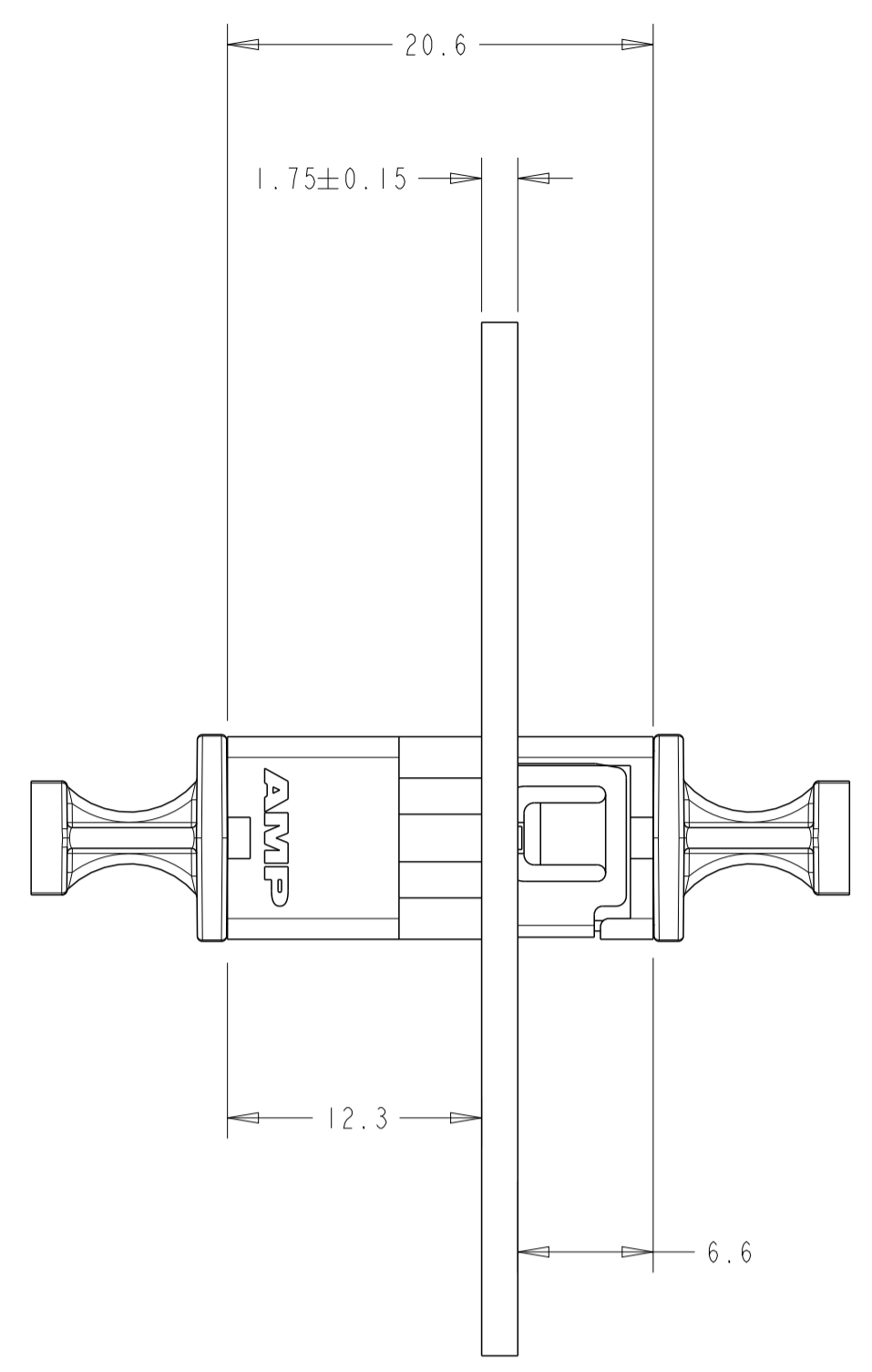
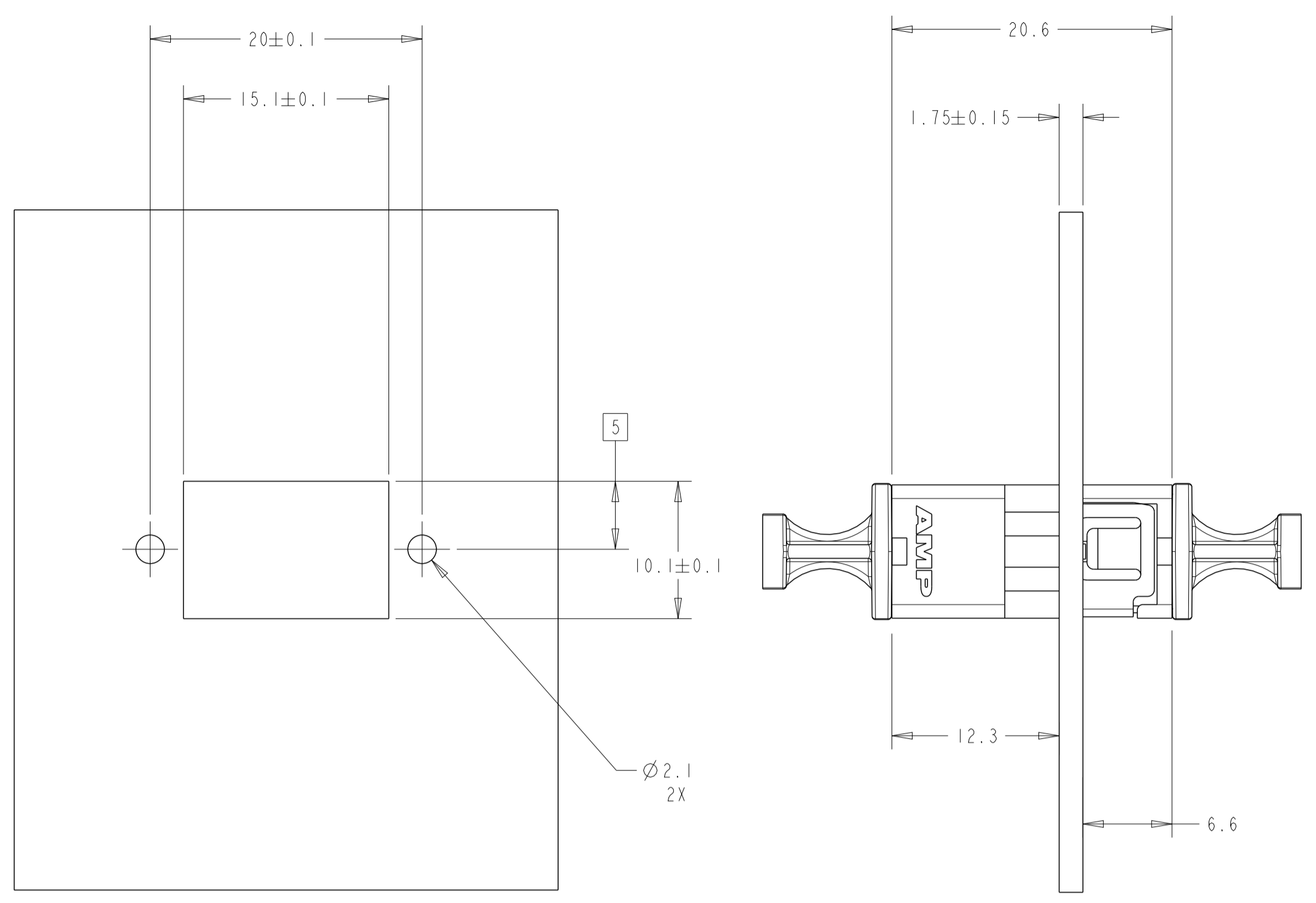
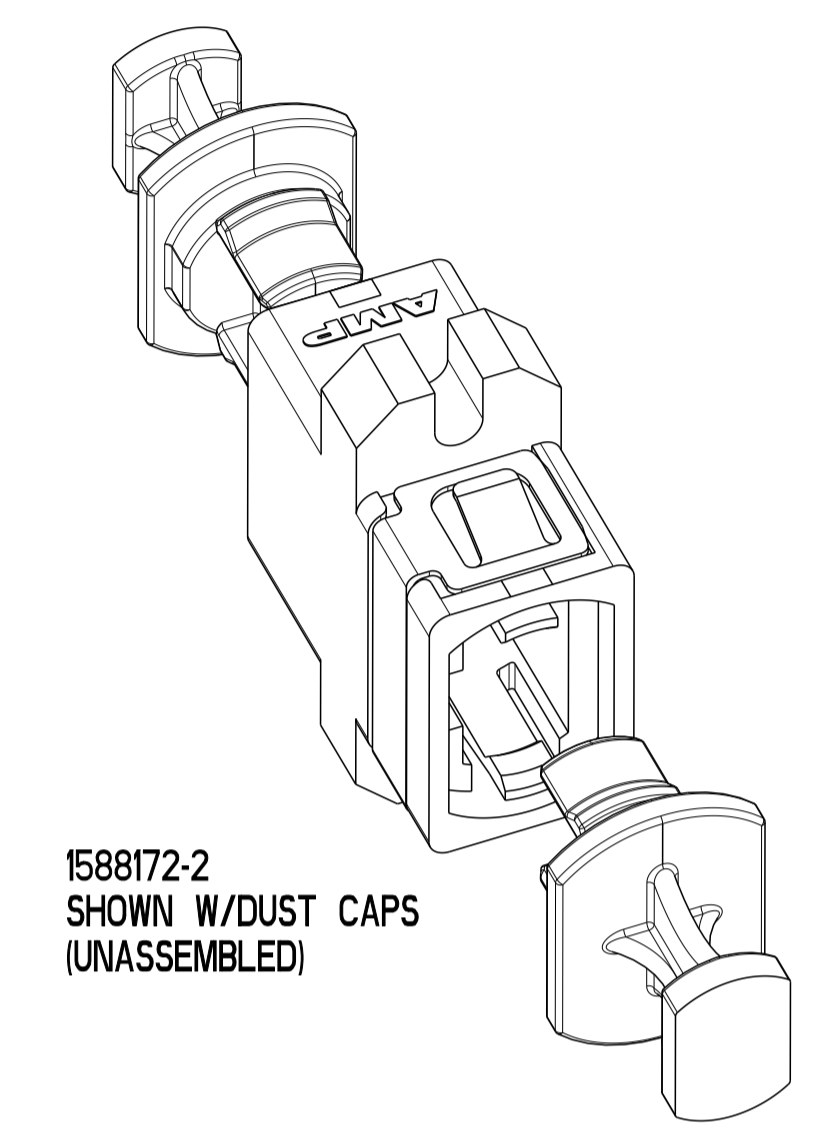
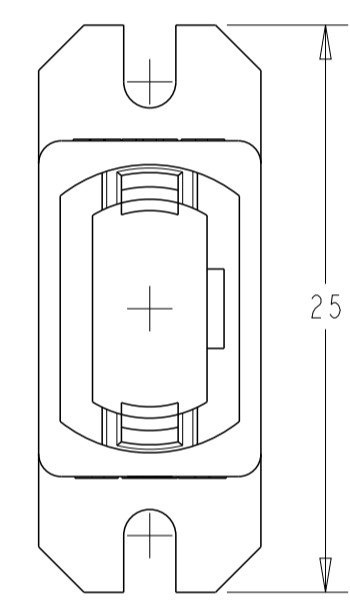
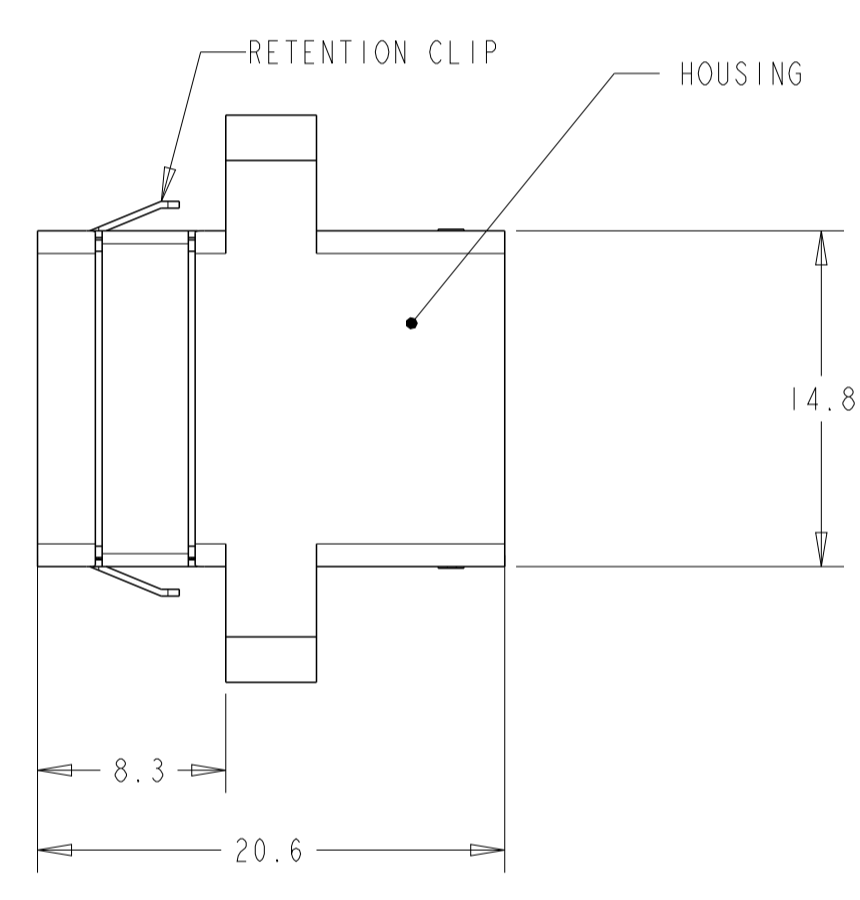
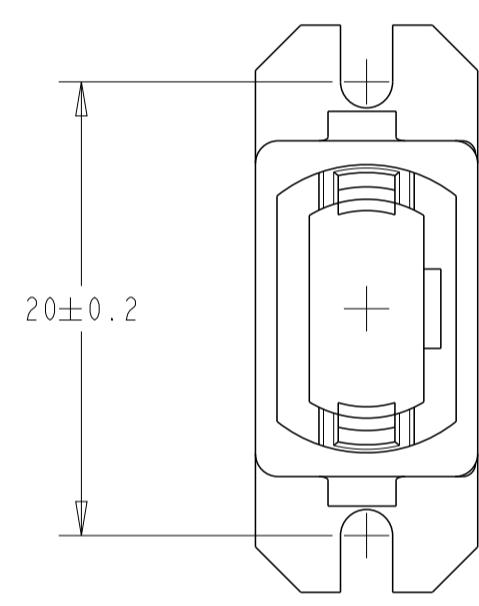


LOC	DIST	REVISIONS					
		P	LTN	DESCRIPTION	DATE	DWN	APVD
CE	16	F		REV: ECO-13-008210	20MAY2013	GG	TE
		G		REV: ECO-13-008637	22MAY2013	GG	TE
		J		ECR-19-019013	11MAR2020	JL	RS

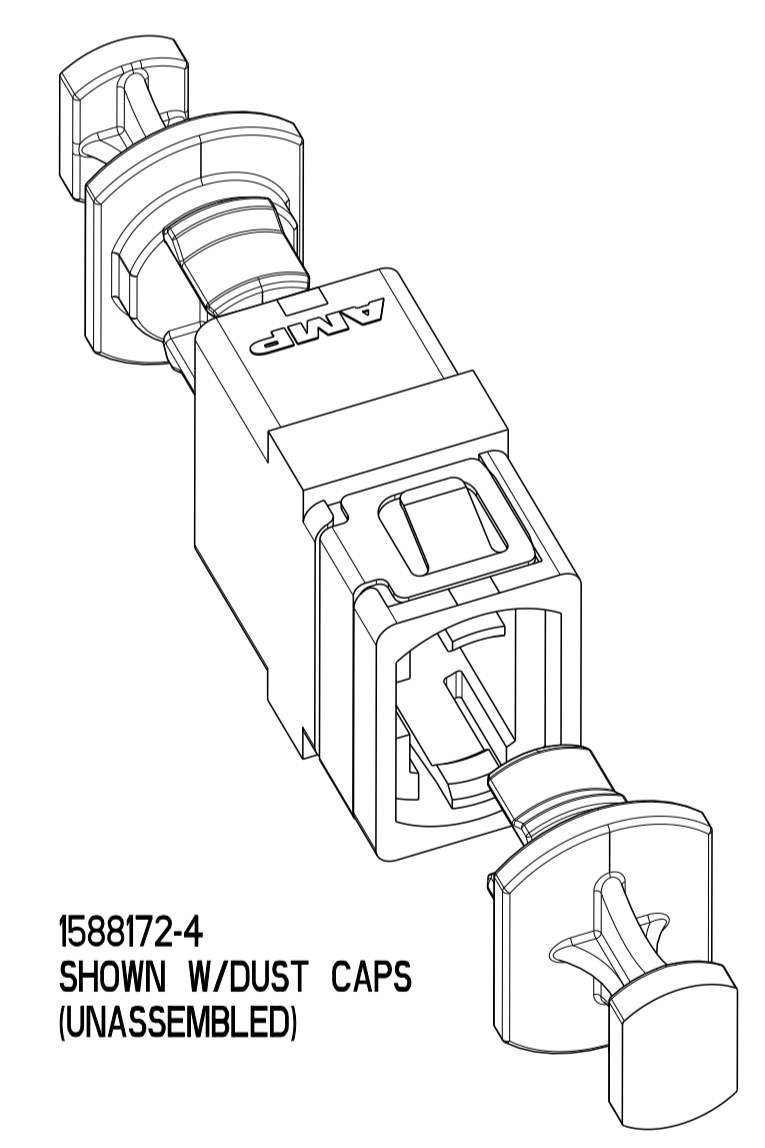
- NOTES:
1. MOUNTS IN 1.75mm BULKHEAD.
  2. (OPTIONAL) USE #2 SCREWS AND NUTS (NOT PROVIDED).
  3. MEETS THE ADAPTER INTERFACE DIMENSIONS AS SPECIFIED IN IEC 61754-7.
  4. COLOR: BLACK
- △ BULK PACK 50 PCS.



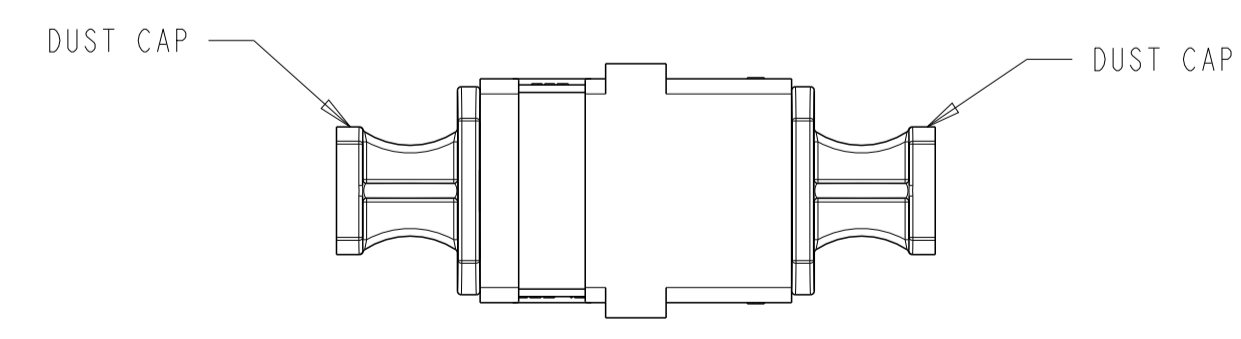
RECOMMENDED PANEL CUT-OUT



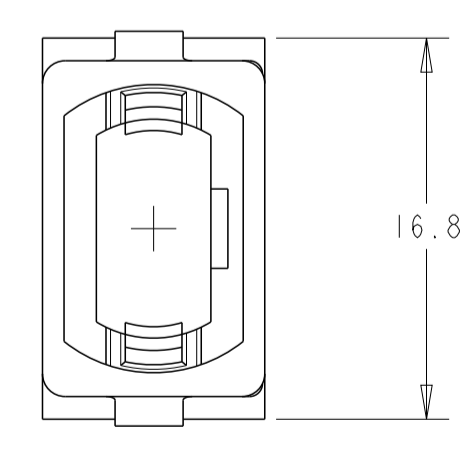
1588172-2  
SHOWN W/DUST CAPS  
(UNASSEMBLED)



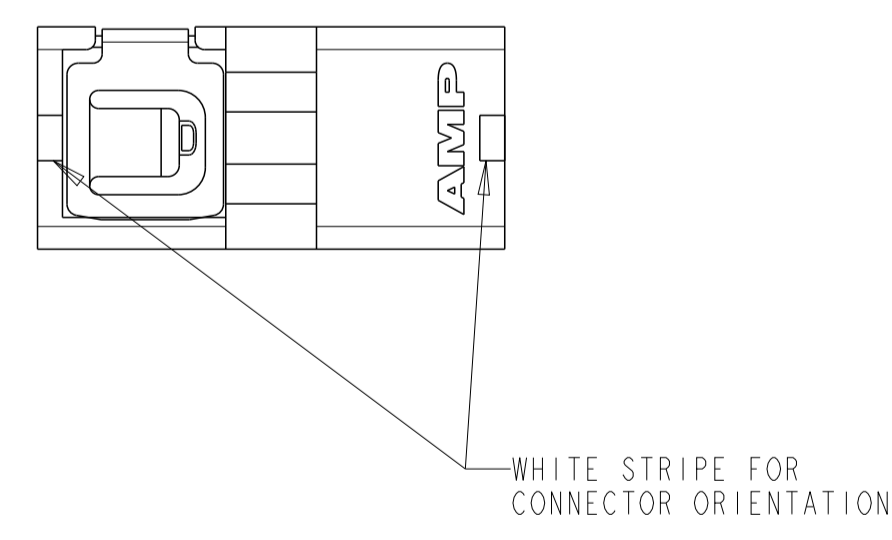
1588172-4  
SHOWN W/DUST CAPS  
(UNASSEMBLED)



1588172-3  
(WITHOUT FLANGE)  
SHOWN W/DUST CAPS  
ASSEMBLED



1588172-3  
(WITHOUT FLANGE)  
1588172-4  
(WITHOUT FLANGE)  
(WITH CLIP)



DESCRIPTION	PART NO.
△ MPO ADAPTER W/O FLANGE	1-1588172-1
△ MPO ADAPTER W/FLANGE	1-1588172-0
△ MPO ADAPTER W/FLANGE, AND CLIP	1588172-9
△ MPO ADAPTER W/O FLANGE W/ CLIP	1588172-8
△ MPO ADAPTER W/O FLANGE	1588172-7
△ MPO ADAPTER W/ FLANGE AND CLIP	1588172-6
△ MPO ADAPTER W/ FLANGE	1588172-5
△ MPO ADAPTER W/O FLANGE AND W/CLIP	1588172-4
△ MPO ADAPTER W/O FLANGE	1588172-3
△ MPO ADAPTER W/FLANGE, AND CLIP	1588172-2
△ MPO ADAPTER W/FLANGE	1588172-1

THIS DRAWING IS A CONTROLLED DOCUMENT.		DWN LG_EBY 06DEC2001	TE Connectivity	
DIMENSIONS:		CHK D.ROHDE 06DEC2001	NAME MPO ADAPTER ASSY, RETENTION CLIP AND PANEL ASSY.	
TOLERANCES UNLESS OTHERWISE SPECIFIED:		APVD F.ABENDSCHEIN 06DEC2001	SIZE A1 CAGE CODE 00779 DRAWING NO. 1588172	
mm	0 PLC ±.1	PRODUCT SPEC	RESTRICTED TO	
	1 PLC ±.1	APPLICATION SPEC	SCALE NTS SHEET 1 OF 1 REV J	
	2 PLC ±.05	WEIGHT		
	3 PLC ±.1	CUSTOMER DRAWING		
	4 PLC ±.1			
	ANGLES ±.1			
	FINISH			

## X-ON Electronics

Largest Supplier of Electrical and Electronic Components

*Click to view similar products for [Fibre Optic Connectors](#) category:*

*Click to view products by [TE Connectivity](#) manufacturer:*

Other Similar products are found below :

[0004700001](#) [6100-R](#) [6313](#) [F709034706](#) [F709722200](#) [F709730000](#) [F718183204](#) [F727403500](#) [F727752800](#) [8119](#) [9440F20-27S-190](#) [944-120-6001](#) [9441F10SL-3S](#) [9444W28-21S](#) [9444W36-10S](#) [9446F10SL-4S](#) [9446W20-16S](#) [953-101-5310-P](#) [954-101-57202B](#) [A0270169](#) [12-9122](#) [12-5702](#) [AX101713](#) [AX102420](#) [AX103923](#) [AX104024](#) [AX104193](#) [AX104230](#) [AX104562](#) [AX105203-B25](#) [AX105205-S1](#) [EHSC2M](#) [181-011-126](#) [181-011-S](#) [181-057-126](#) [HRFC-R2\(40\)](#) [NKSOPBUY](#) [20500002116](#) [2064996-1](#) [20800001065](#) [2170](#) [9132](#) [2612](#) [2620](#) [9291](#) [9440F16-10S](#) [9440F20-18S](#) [9446F16-10S-190](#) [953-106-50231](#) [953-120-5003](#)