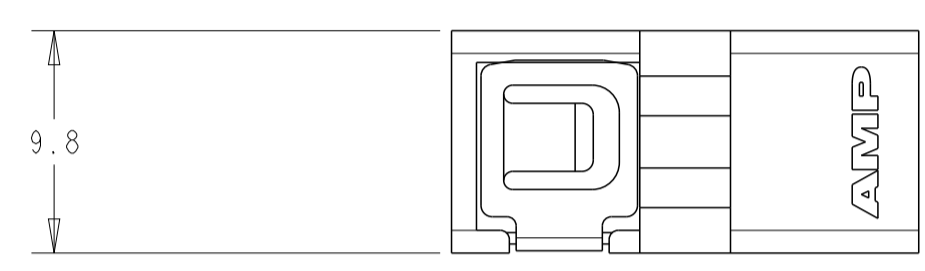
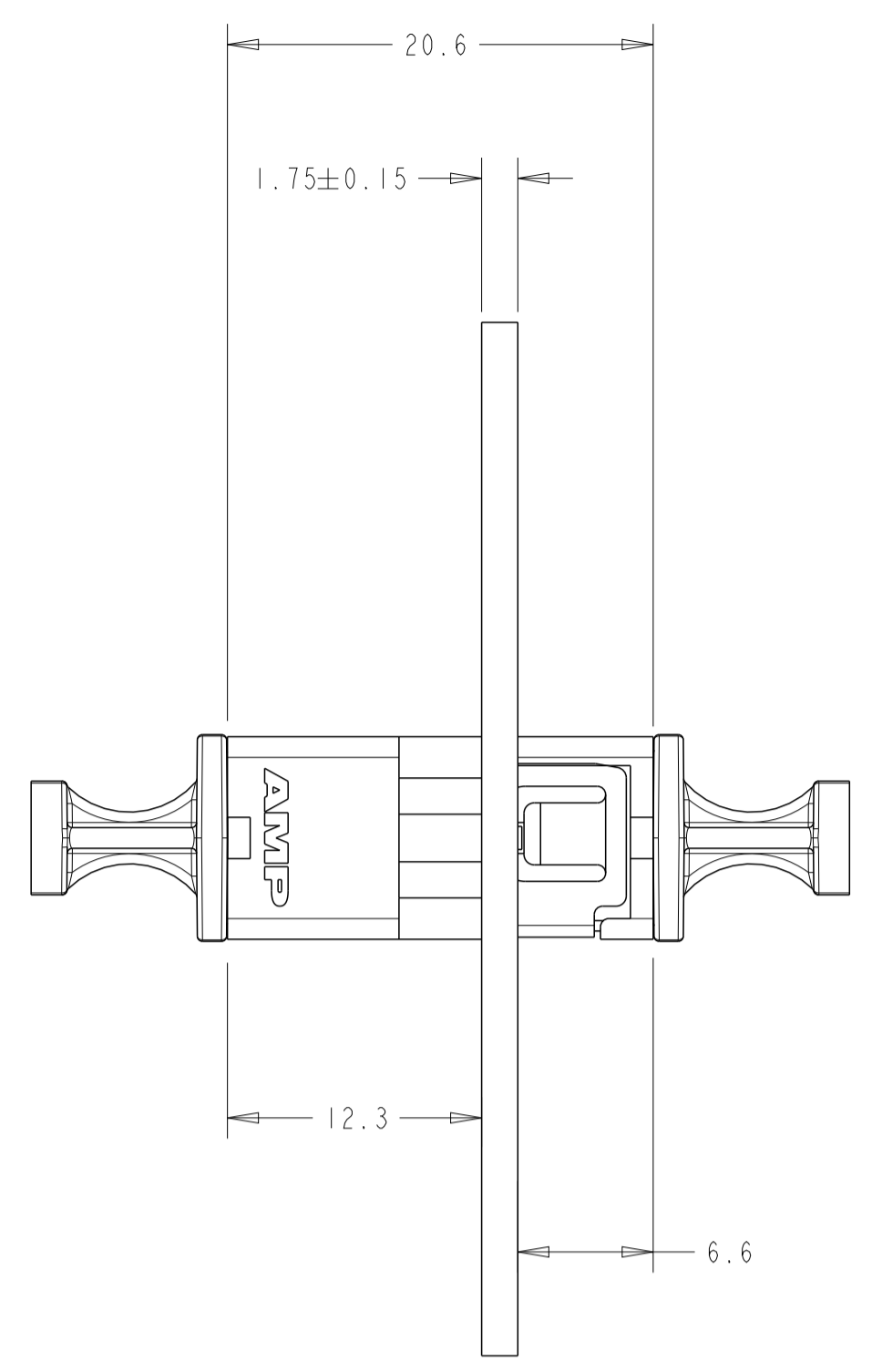
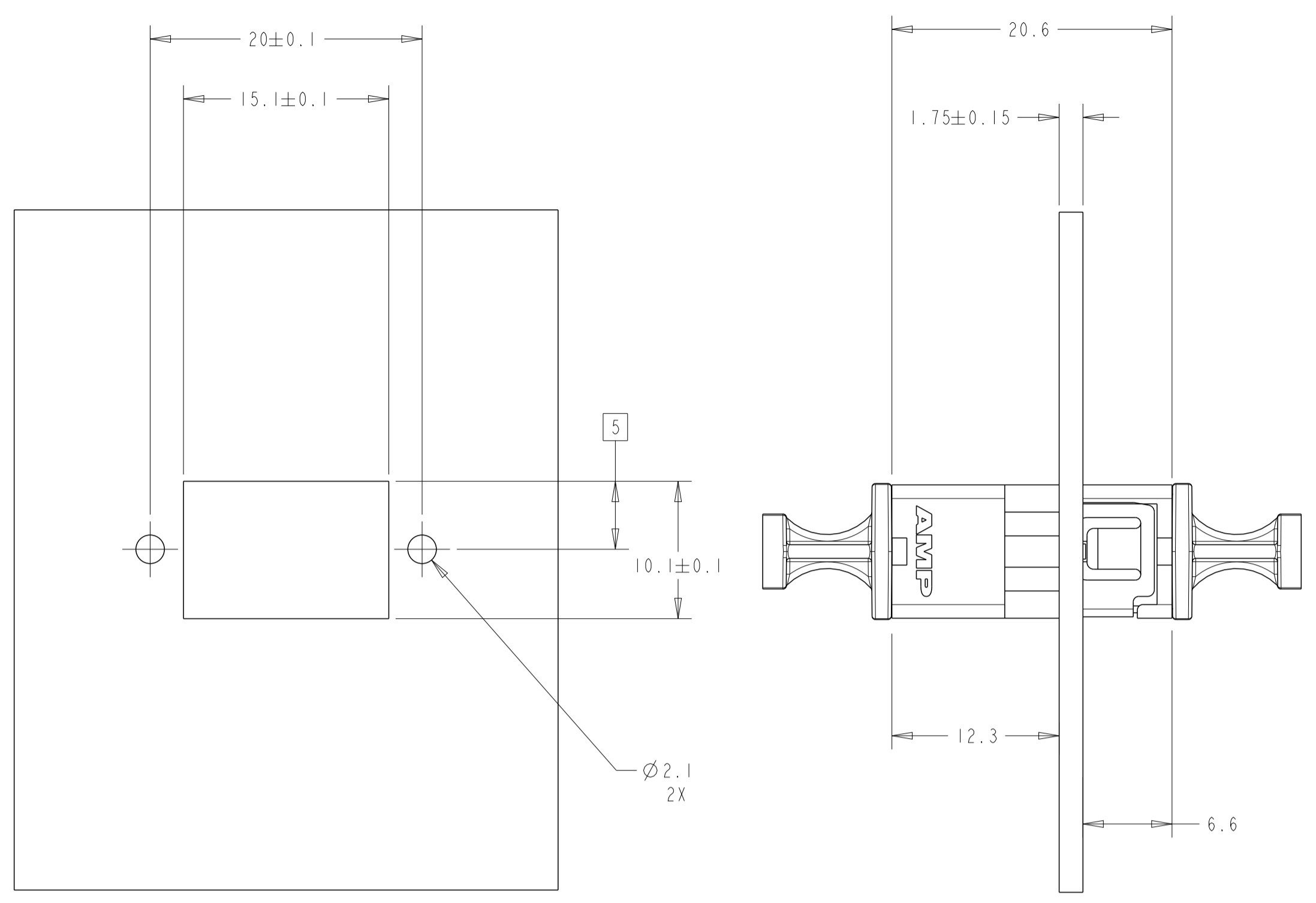
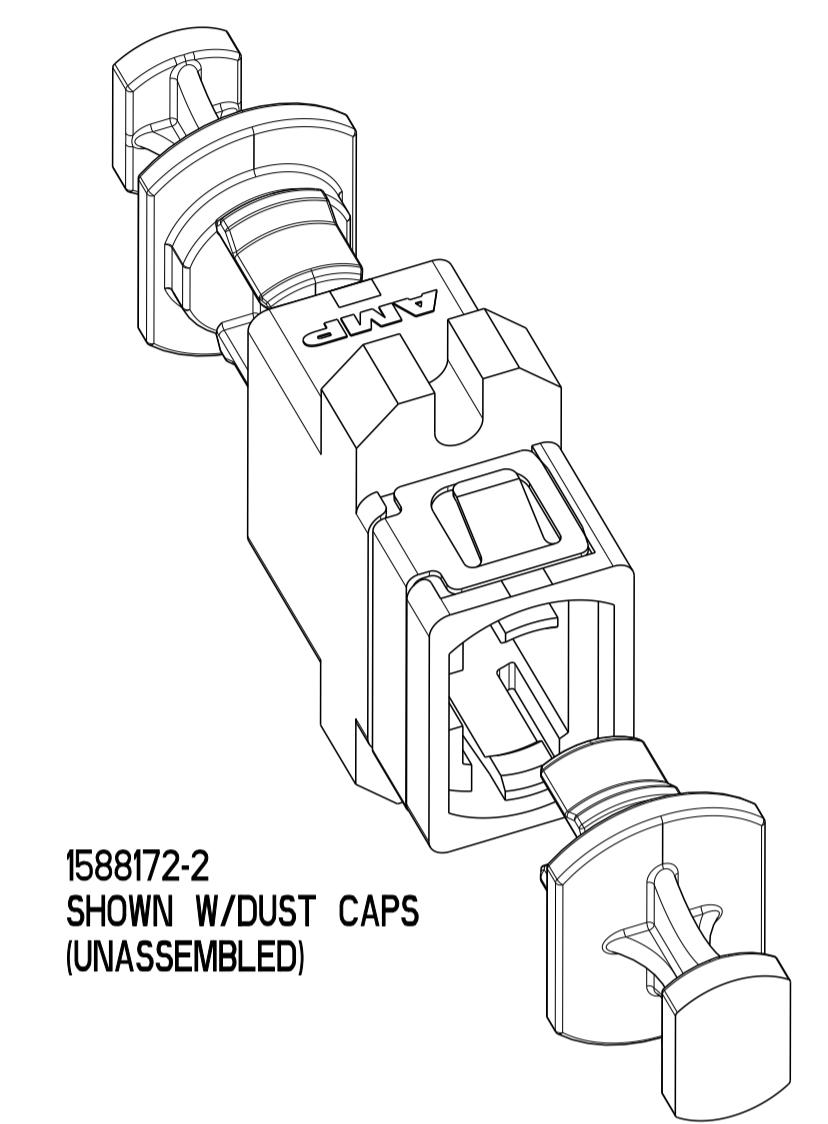
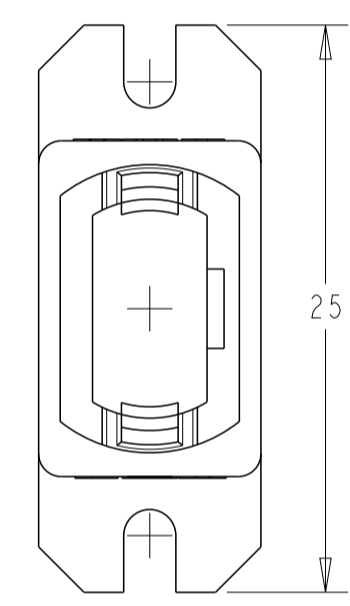
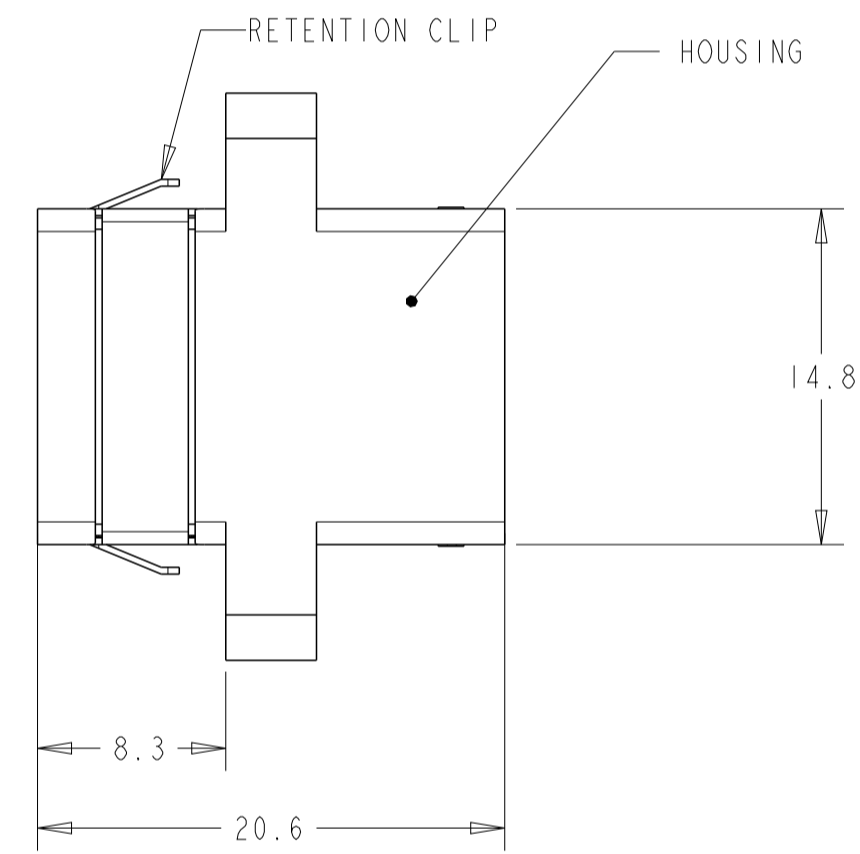
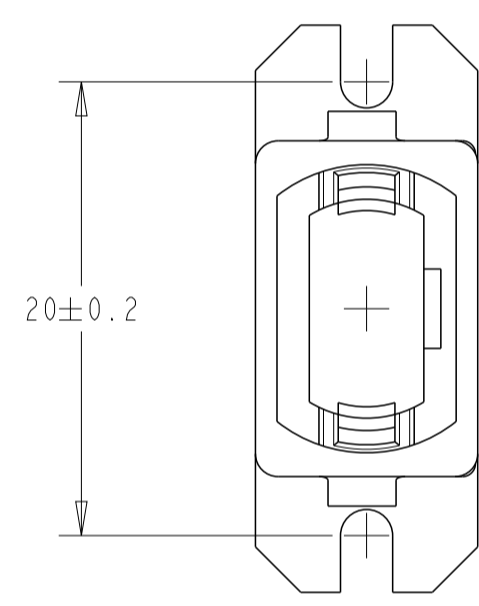


LOC	DIST	REVISIONS					
		P	LTN	DESCRIPTION	DATE	DWN	APVD
CE	16	F		REV; ECO-13-008210	20MAY2013	GG	TE
		G		REV; ECO-13-008637	22MAY2013	GG	TE
		J		ECR-19-019013	11MAR2020	JL	RS

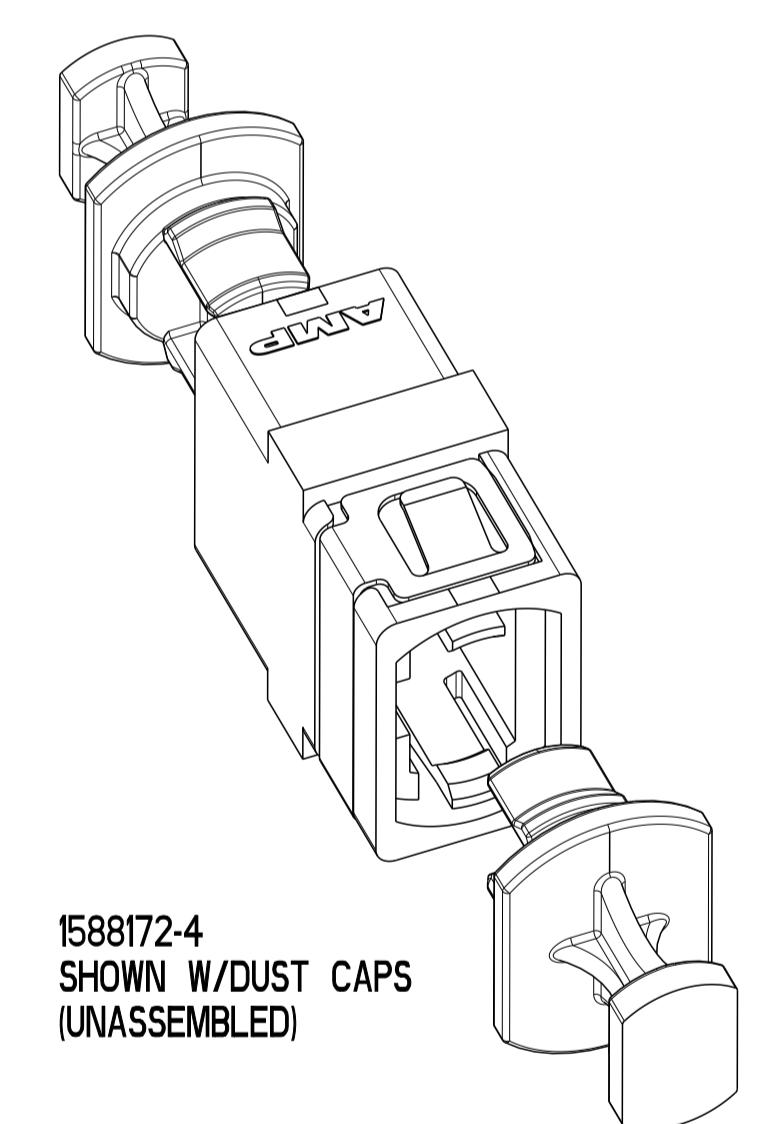
- NOTES:
1. MOUNTS IN 1.75mm BULKHEAD.
 2. (OPTIONAL) USE #2 SCREWS AND NUTS (NOT PROVIDED).
 3. MEETS THE ADAPTER INTERFACE DIMENSIONS AS SPECIFIED IN IEC 61754-7.
 4. COLOR: BLACK
- △ BULK PACK 50 PCS.



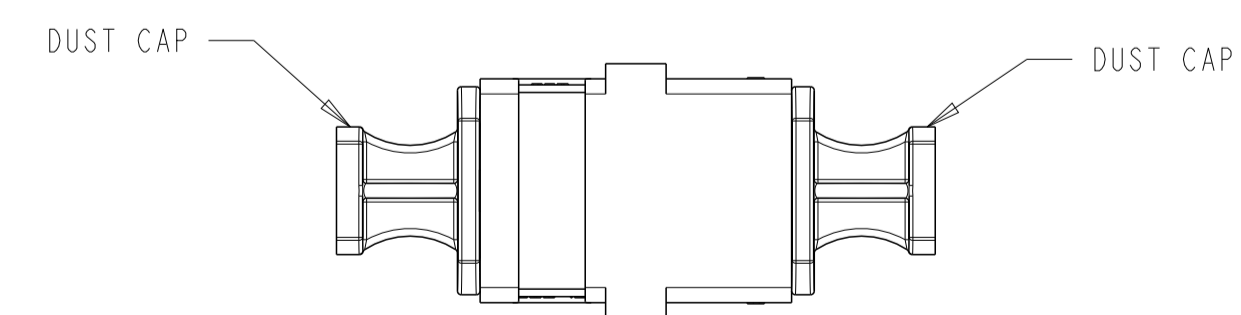
RECOMMENDED PANEL CUT-OUT



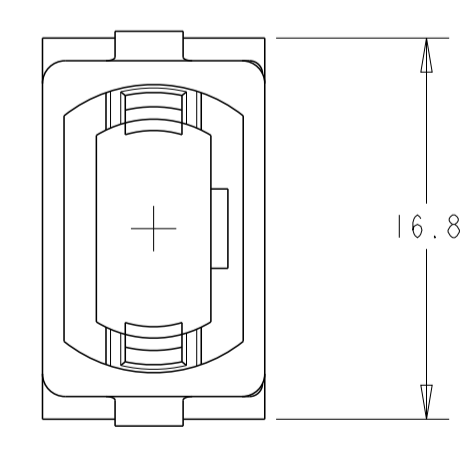
1588172-2
SHOWN W/DUST CAPS
(UNASSEMBLED)



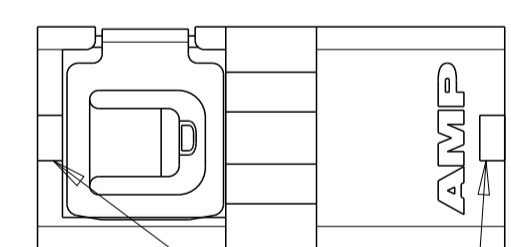
1588172-4
SHOWN W/DUST CAPS
(UNASSEMBLED)



1588172-3
(WITHOUT FLANGE)
SHOWN W/DUST CAPS
ASSEMBLED



1588172-3
(WITHOUT FLANGE)
1588172-4
(WITHOUT FLANGE)
(WITH CLIP)



WHITE STRIPE FOR CONNECTOR ORIENTATION

DESCRIPTION	PART NO.
△ MPO ADAPTER W/O FLANGE	1-1588172-1
△ MPO ADAPTER W/FLANGE	1-1588172-0
△ MPO ADAPTER W/FLANGE, AND CLIP	1588172-9
△ MPO ADAPTER W/O FLANGE W/ CLIP	1588172-8
△ MPO ADAPTER W/O FLANGE	1588172-7
△ MPO ADAPTER W/ FLANGE AND CLIP	1588172-6
△ MPO ADAPTER W/ FLANGE	1588172-5
△ MPO ADAPTER W/O FLANGE AND W/CLIP	1588172-4
△ MPO ADAPTER W/O FLANGE	1588172-3
△ MPO ADAPTER W/FLANGE, AND CLIP	1588172-2
△ MPO ADAPTER W/FLANGE	1588172-1

THIS DRAWING IS A CONTROLLED DOCUMENT.		DWN LG_EBY 06DEC2001	NAME MPO ADAPTER ASSY, RETENTION CLIP AND PANEL ASSY.	
DIMENSIONS:		CHK D.ROHDE 06DEC2001	SIZE A1	
TOLERANCES UNLESS OTHERWISE SPECIFIED:		APVD F.ABENDSCHEIN 06DEC2001	CAGE CODE 00779	
mm	0 PLC ±.1	PRODUCT SPEC	DRAWING NO. 1588172	
	1 PLC ±.1	APPLICATION SPEC	SCALE NTS	
	2 PLC ±.05		SHEET 1 OF 1	
	3 PLC ±.1		REV J	
	4 PLC ±.1			
	ANGLES ±.1			
MATERIAL	FINISH	WEIGHT	CUSTOMER DRAWING	

X-ON Electronics

Largest Supplier of Electrical and Electronic Components

Click to view similar products for [Fibre Optic Connectors](#) category:

Click to view products by [TE Connectivity](#) manufacturer:

Other Similar products are found below :

[0004700001](#) [6100-R](#) [6313](#) [F709034706](#) [F709722200](#) [F709730000](#) [F718183204](#) [F727403500](#) [F727752800](#) [8119](#) [9440F20-27S-190](#) [944-120-6001](#) [9441F10SL-3S](#) [9444W28-21S](#) [9444W36-10S](#) [9446F10SL-4S](#) [9446W20-16S](#) [953-101-5310-P](#) [954-101-57202B](#) [A0270169](#) [12-9122](#) [12-5702](#) [AX101713](#) [AX102420](#) [AX103923](#) [AX104024](#) [AX104193](#) [AX104230](#) [AX104498](#) [AX104562](#) [AX105203-B25](#) [AX105205-S1](#) [EHSC2M](#) [181-011-126](#) [181-011-S](#) [181-057-126](#) [HRFC-R2\(40\)](#) [NKSOPBUY](#) [20500002116](#) [2064996-1](#) [20800001065](#) [2170](#) [9132](#) [2612](#) [2620](#) [9291](#) [9440F16-10S](#) [9440F20-18S](#) [9442W14S-10P](#) [9446F16-10S-190](#)