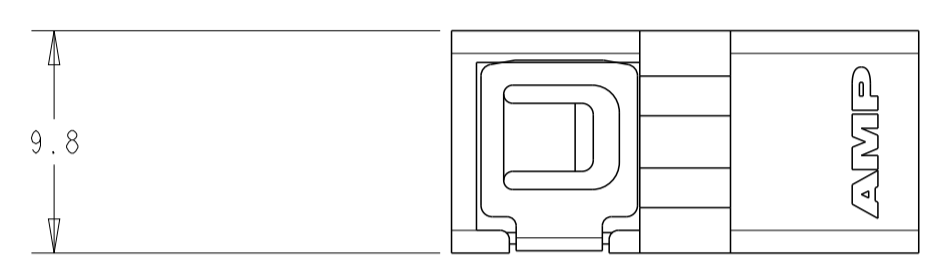
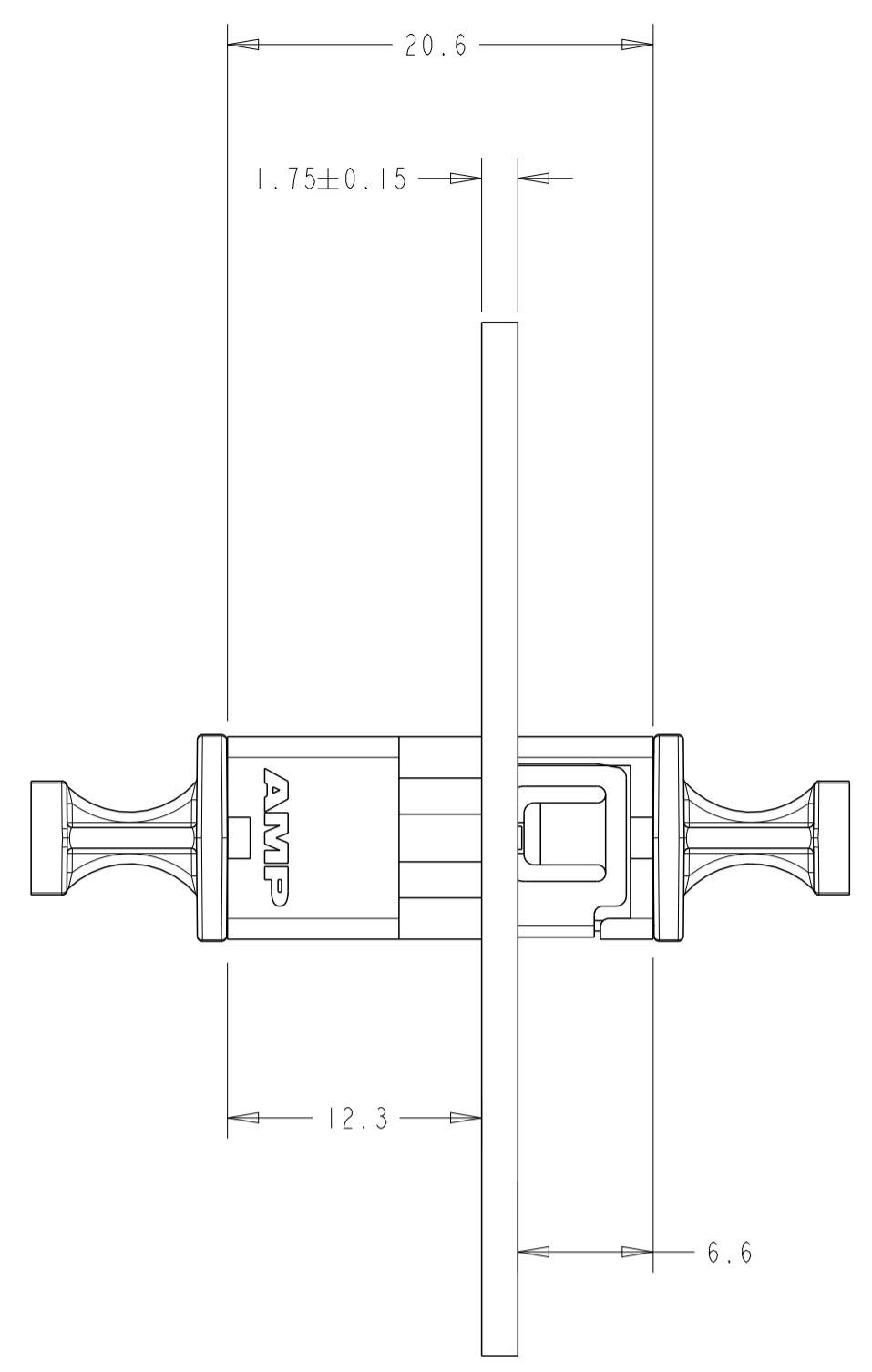
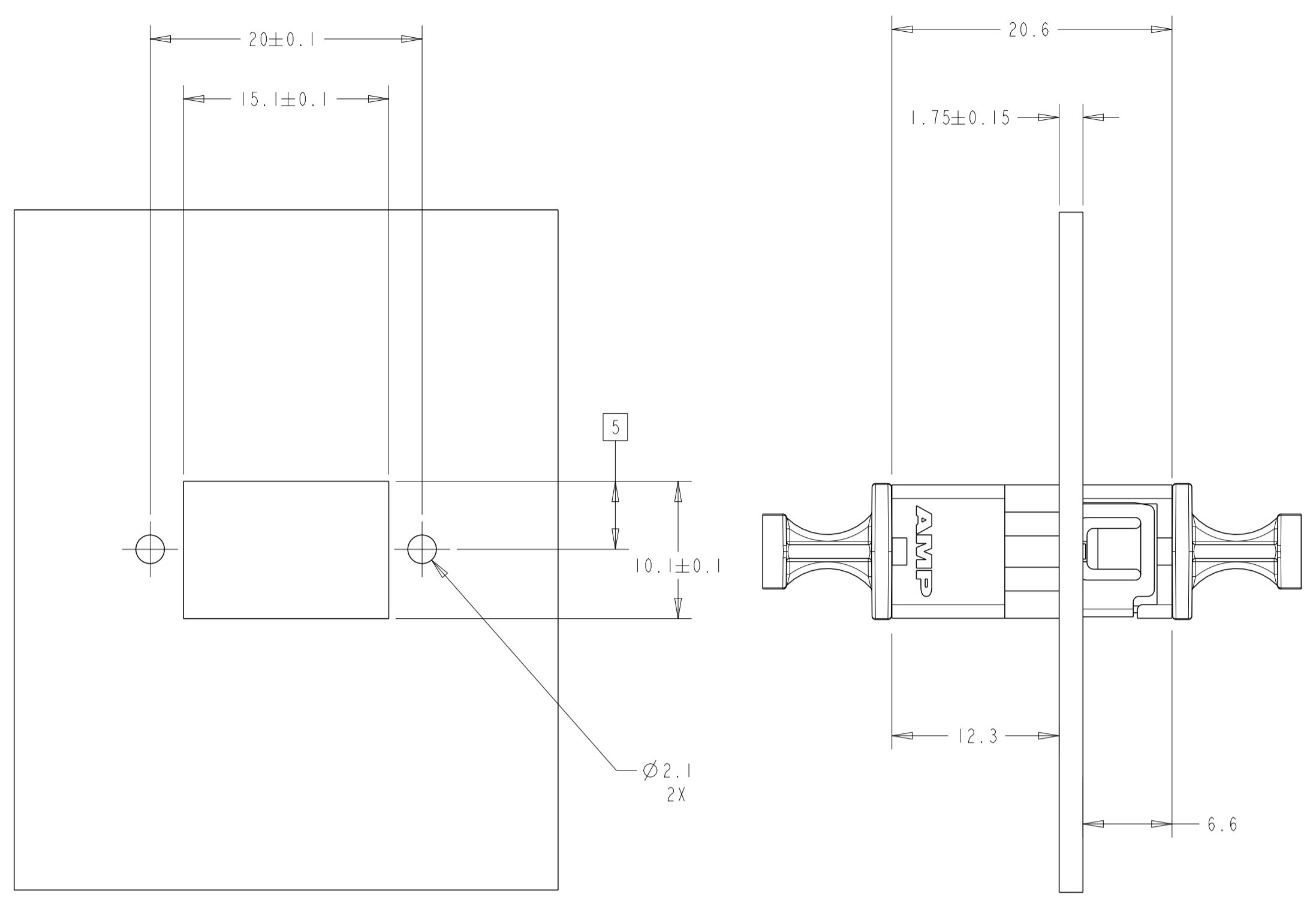
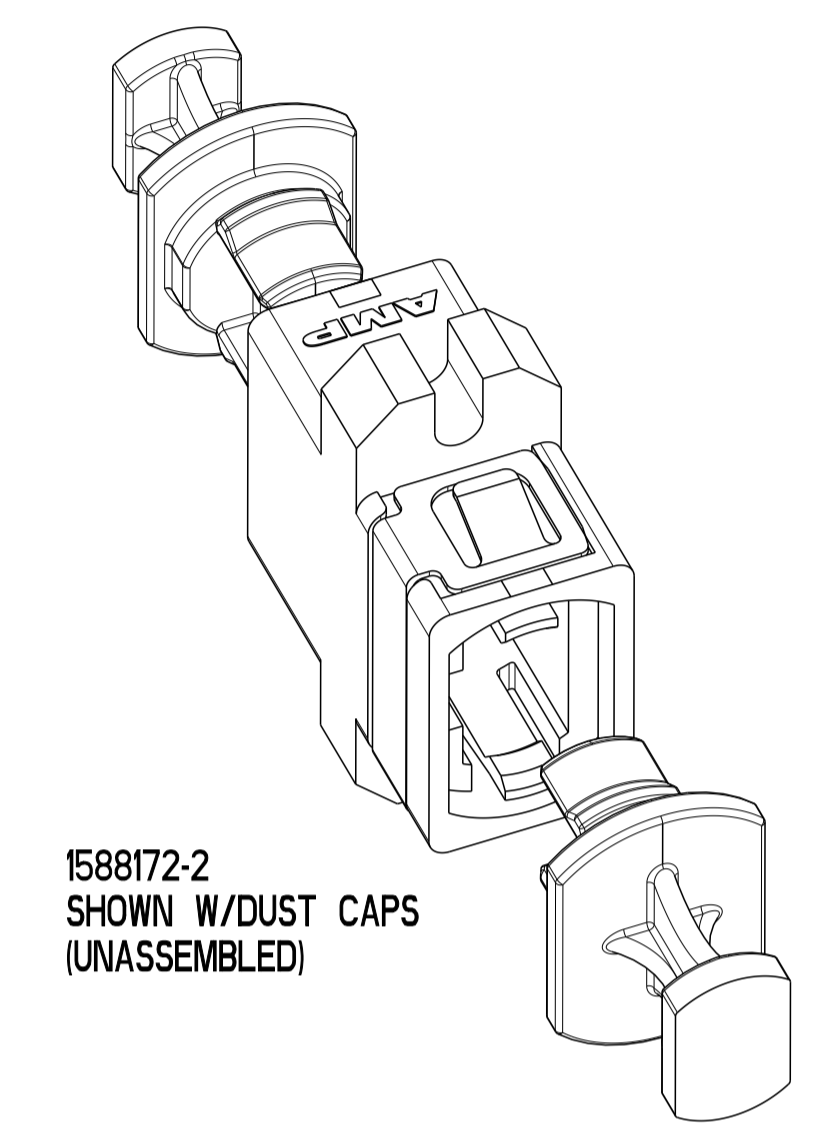
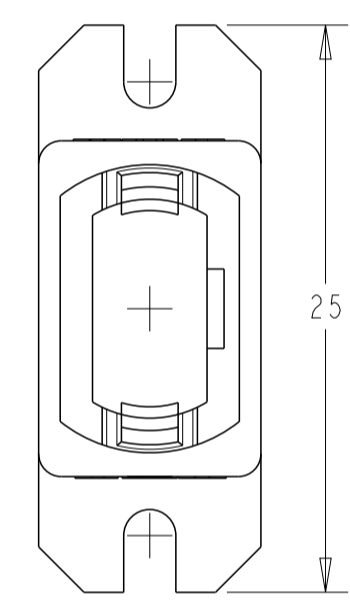
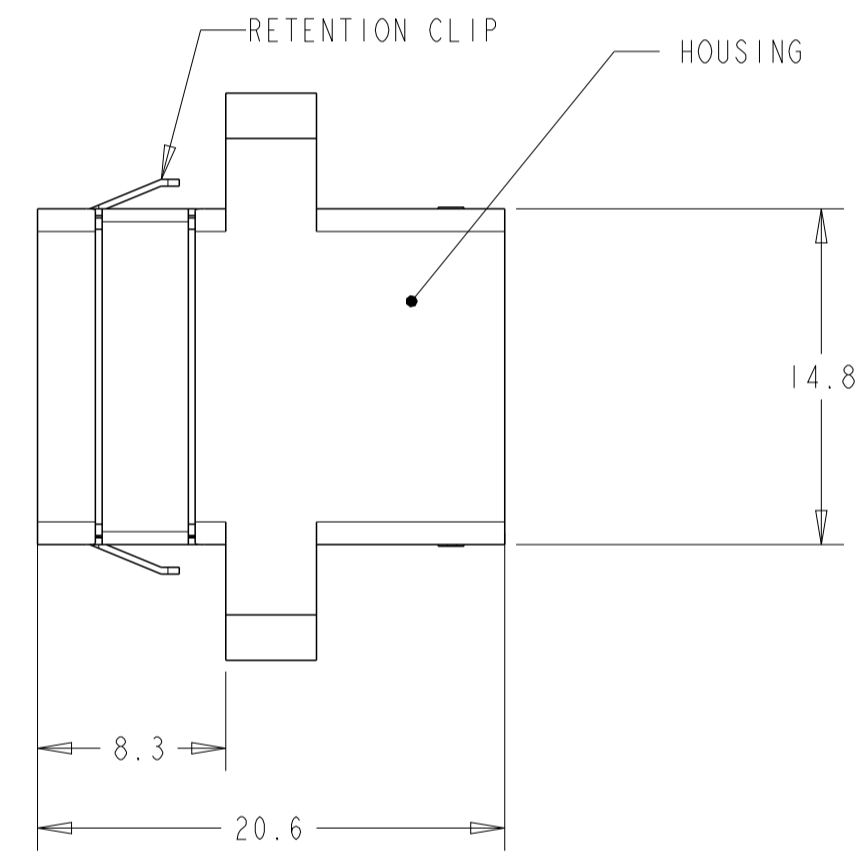
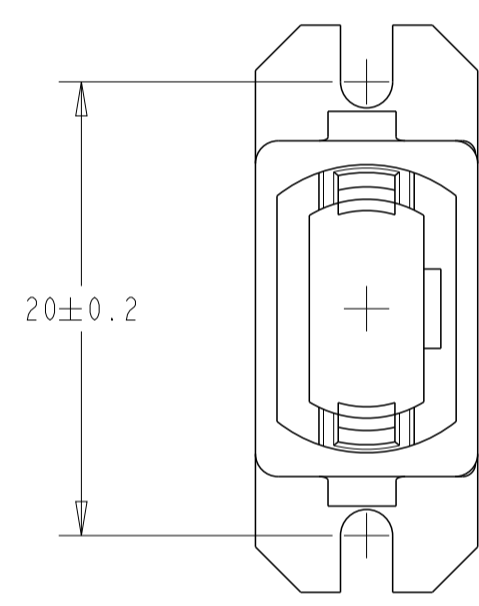


LOC	DIST	REVISIONS					
		P	LTN	DESCRIPTION	DATE	DWN	APVD
CE	16	F		REV: ECO-13-008210	20MAY2013	GG	TE
		G		REV: ECO-13-008637	22MAY2013	GG	TE
		J		ECR-19-019013	11MAR2020	JL	RS

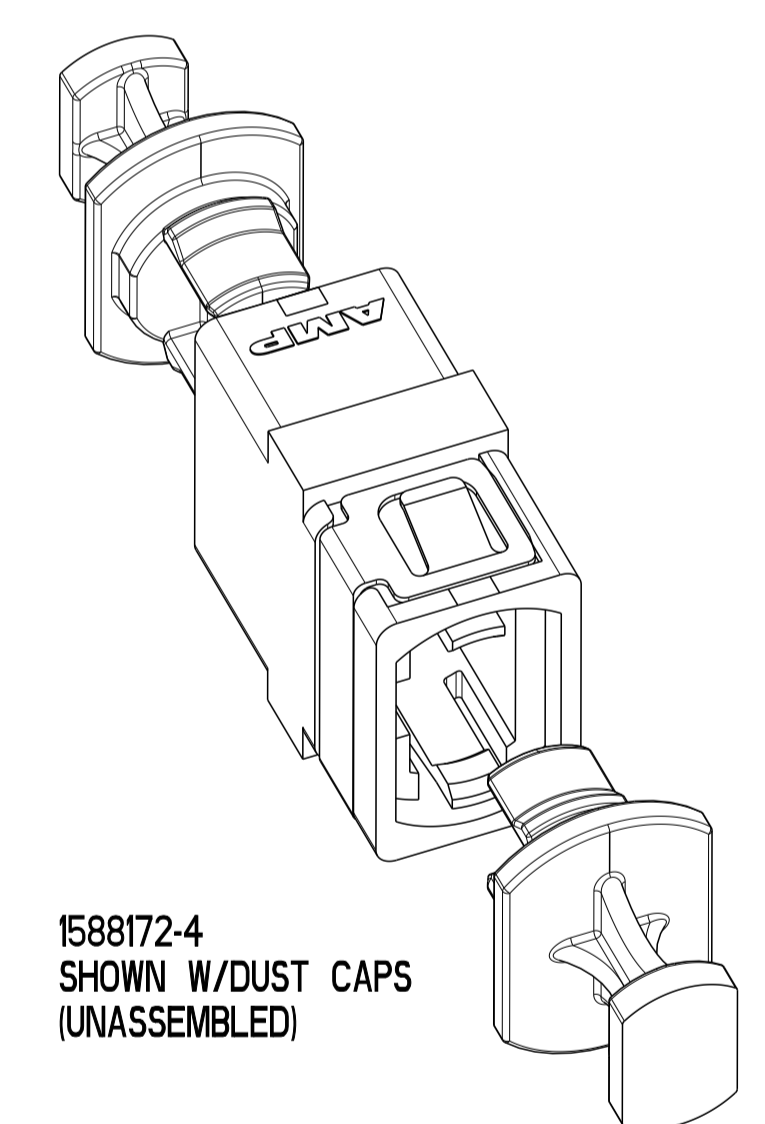
- NOTES:
1. MOUNTS IN 1.75mm BULKHEAD.
 2. (OPTIONAL) USE #2 SCREWS AND NUTS (NOT PROVIDED).
 3. MEETS THE ADAPTER INTERFACE DIMENSIONS AS SPECIFIED IN IEC 61754-7.
 4. COLOR: BLACK
- △ BULK PACK 50 PCS.



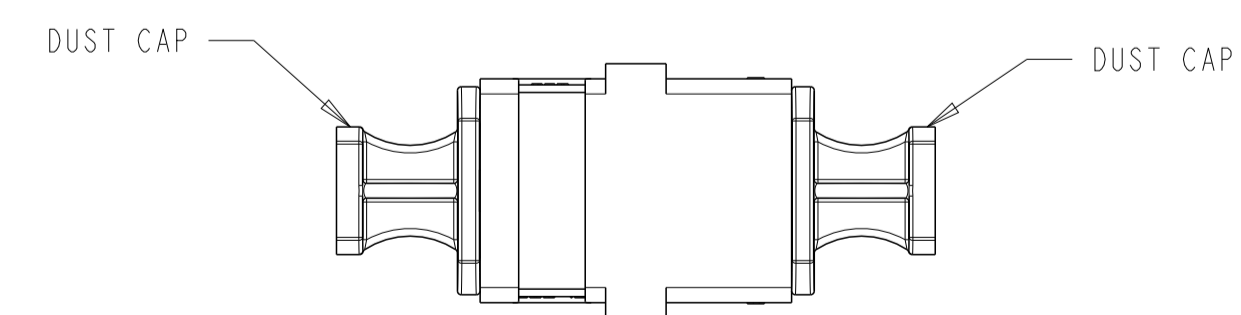
RECOMMENDED PANEL CUT-OUT



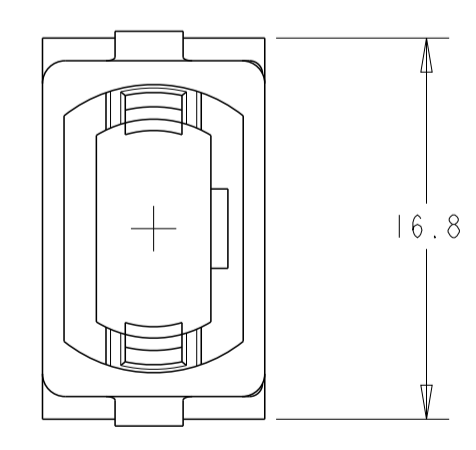
1588172-2
SHOWN W/DUST CAPS
(UNASSEMBLED)



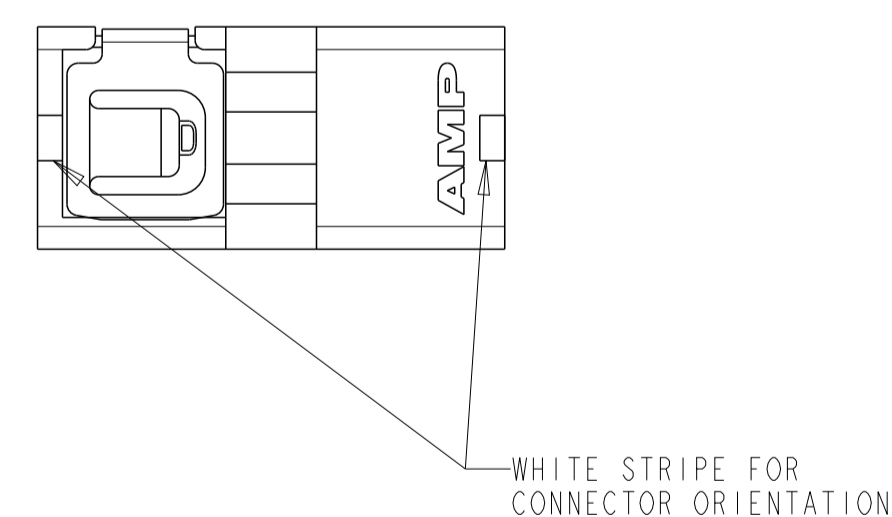
1588172-4
SHOWN W/DUST CAPS
(UNASSEMBLED)



1588172-3
(WITHOUT FLANGE)
SHOWN W/DUST CAPS
ASSEMBLED



1588172-3
(WITHOUT FLANGE)
1588172-4
(WITHOUT FLANGE)
(WITH CLIP)



△ 5	MPO ADAPTER W/O FLANGE	1-1588172-1
	MPO ADAPTER W/FLANGE	1-1588172-0
	MPO ADAPTER W/FLANGE, AND CLIP	1588172-9
△ 5	MPO ADAPTER W/O FLANGE W/ CLIP	1588172-8
△ 5	MPO ADAPTER W/O FLANGE	1588172-7
△ 5	MPO ADAPTER W/ FLANGE AND CLIP	1588172-6
△ 5	MPO ADAPTER W/ FLANGE	1588172-5
	MPO ADAPTER W/O FLANGE AND W/CLIP	1588172-4
	MPO ADAPTER W/O FLANGE	1588172-3
	MPO ADAPTER W/FLANGE, AND CLIP	1588172-2
	MPO ADAPTER W/FLANGE	1588172-1

DIMENSIONS:		TOLERANCES UNLESS OTHERWISE SPECIFIED:		MATERIAL		FINISH		WEIGHT		CUSTOMER DRAWING	
mm	0 PLC	±									
	1 PLC	±	0.1								
	2 PLC	±	0.05								
	3 PLC	±									
	4 PLC	±									
	ANGLES										

THIS DRAWING IS A CONTROLLED DOCUMENT.	DWN LG_EBY 06DEC2001	NAME MPO ADAPTER ASSY, RETENTION CLIP AND PANEL ASSY.	
	CHK D.ROHDE 06DEC2001	SIZE A1	
	APVD F.ABENDSCHEIN 06DEC2001	CAGE CODE 00779	
	PRODUCT SPEC	DRAWING NO. 1588172	
	APPLICATION SPEC	SCALE NTS	
		SHEET 1 OF 1	
		REV J	

X-ON Electronics

Largest Supplier of Electrical and Electronic Components

Click to view similar products for [Fibre Optic Connectors](#) category:

Click to view products by [TE Connectivity](#) manufacturer:

Other Similar products are found below :

[0004700001](#) [6100-R](#) [6313](#) [F709034706](#) [F709722200](#) [F709730000](#) [F718183204](#) [F727403500](#) [F727752800](#) [8119](#) [9440F20-27S-190](#) [944-120-6001](#) [9441F10SL-3S](#) [9444W28-21S](#) [9444W36-10S](#) [9446F10SL-4S](#) [9446W20-16S](#) [953-101-5310-P](#) [954-101-57202B](#) [A0270169](#) [12-9122](#) [12-5702](#) [AX101713](#) [AX102420](#) [AX103923](#) [AX104024](#) [AX104193](#) [AX104230](#) [AX104562](#) [AX105203-B25](#) [AX105205-S1](#) [EHSC2M](#) [181-011-126](#) [181-011-S](#) [181-057-126](#) [HRFC-R2\(40\)](#) [NKSOPBUY](#) [20500002116](#) [2064996-1](#) [20800001065](#) [2170](#) [9132](#) [2612](#) [2620](#) [9291](#) [9440F16-10S](#) [9440F20-18S](#) [9446F16-10S-190](#) [953-106-50231](#) [953-120-5003](#)