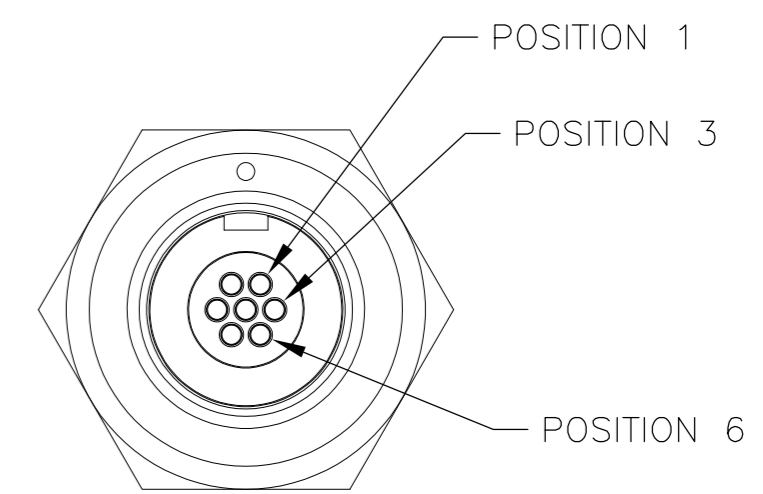
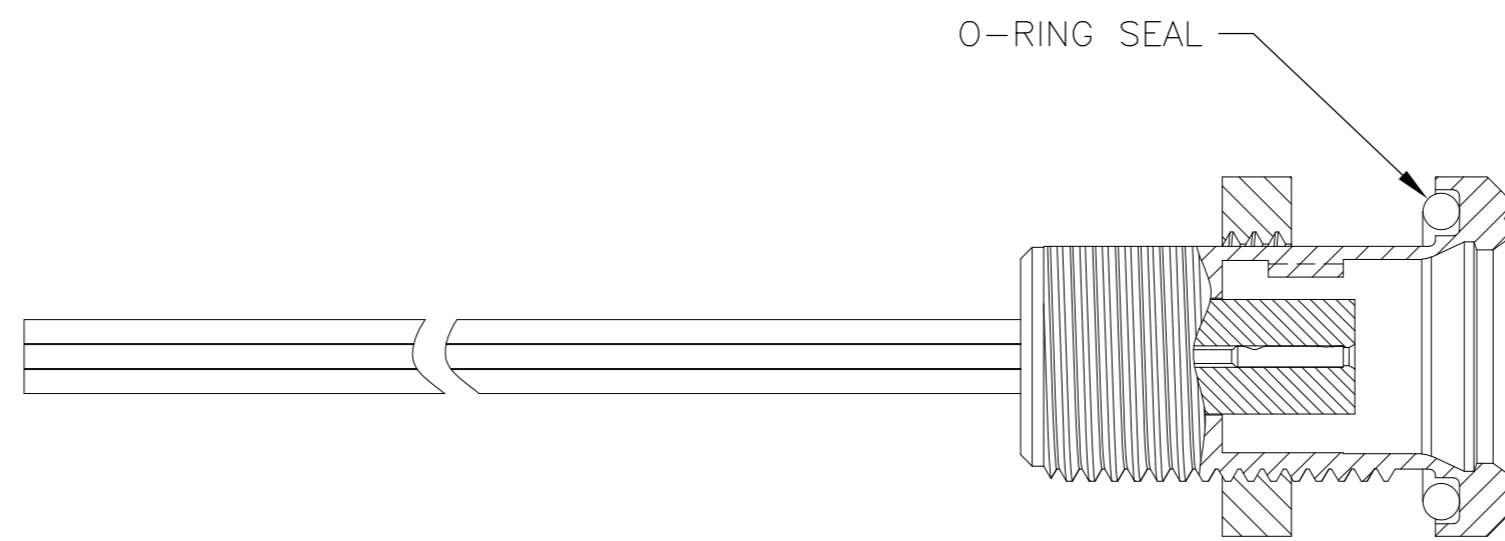
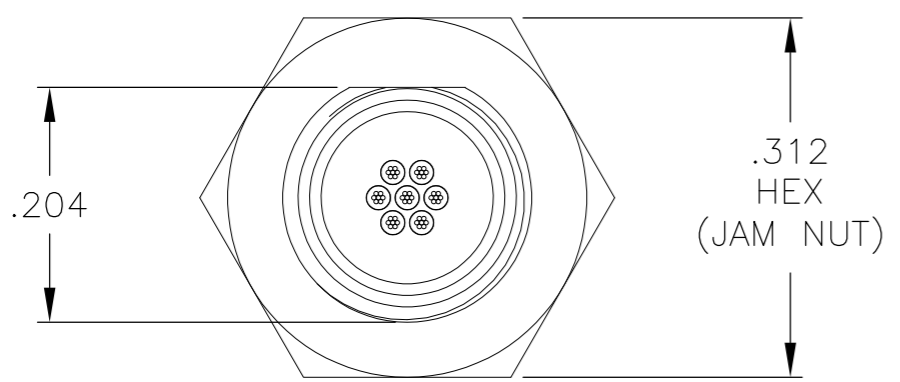
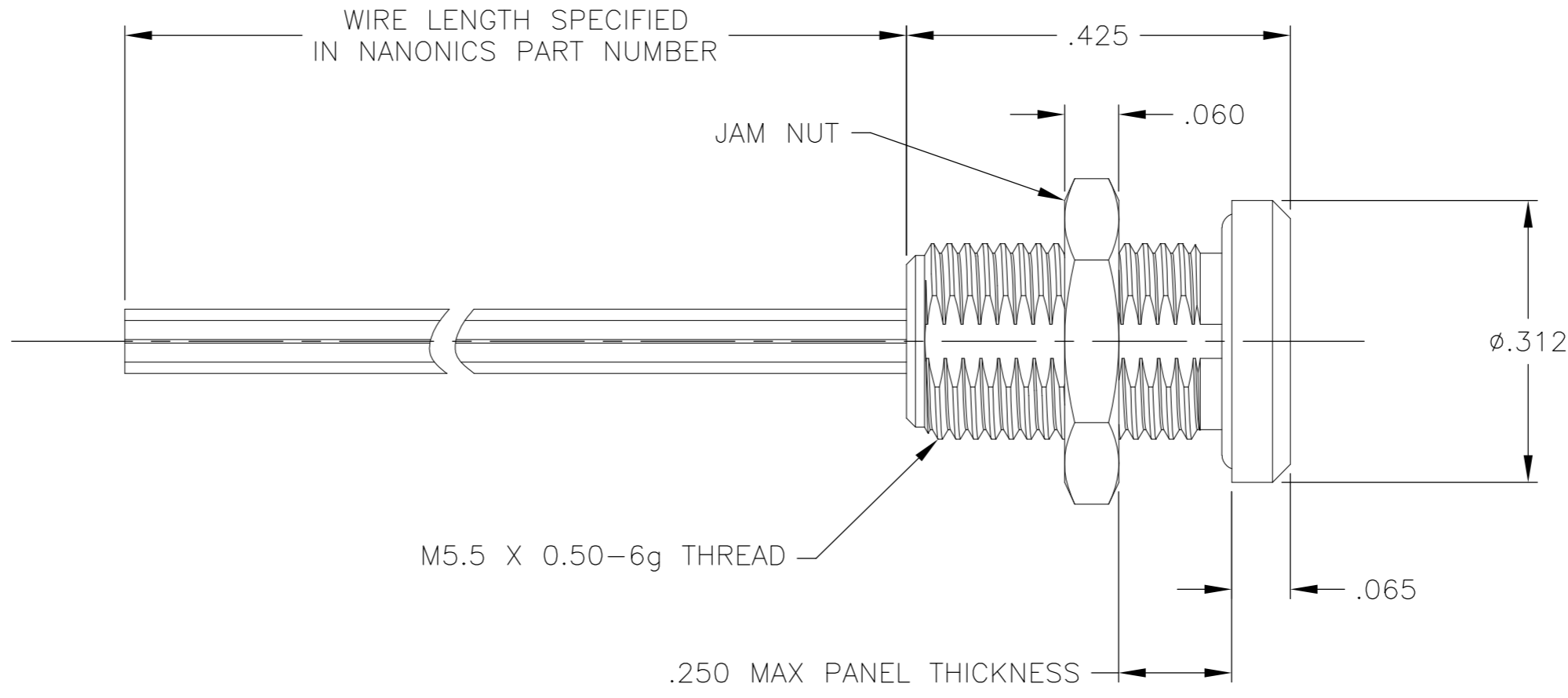
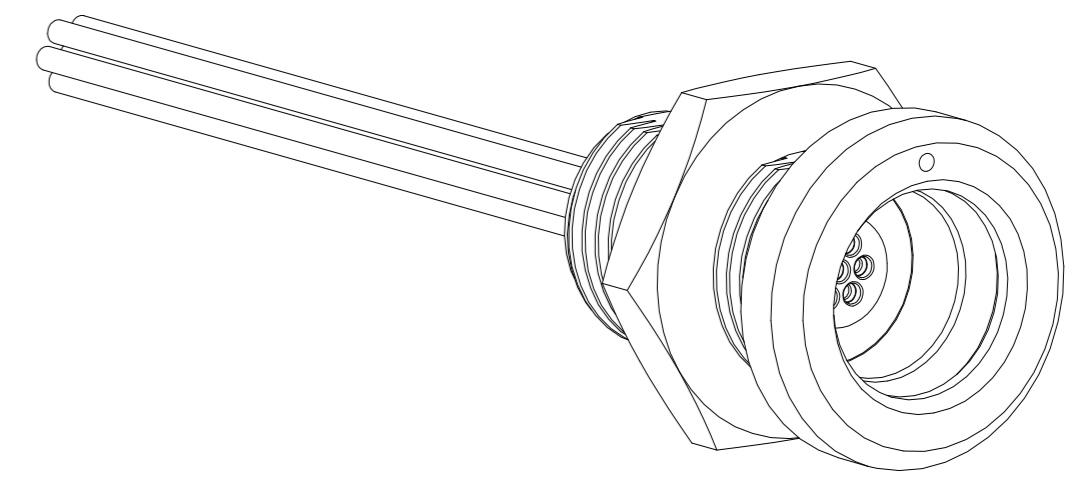
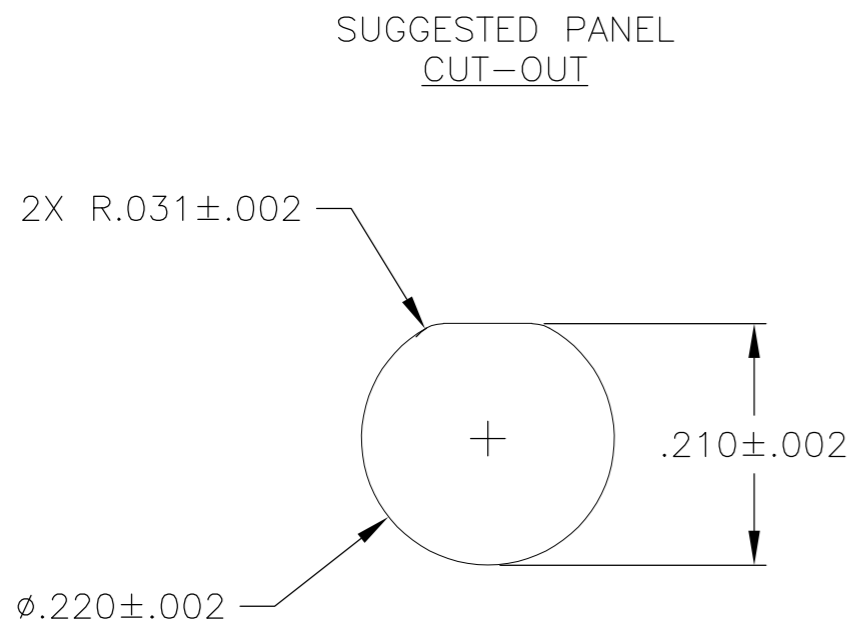


THIS DRAWING IS UNPUBLISHED. RELEASED FOR PUBLICATION  
 © COPYRIGHT - By - ALL RIGHTS RESERVED.

| LOC |     | DIST                     |           | REVISIONS |      |  |  |
|-----|-----|--------------------------|-----------|-----------|------|--|--|
| P   | LTR | DESCRIPTION              | DATE      | DWN       | APVD |  |  |
|     | G   | UPDATE PER ECO-11-013056 | 23 JUN 11 | CAS       | MKS  |  |  |



- 1 CONNECTOR BODY AND JAM NUT MATERIAL: 6061-T6 ALUMINUM, ELECTROLESS NICKEL PLATED PER SAE-AMS-C-26074 OR SAE-AMS-2404E  
 LOCKING RING MATERIAL: BERYLLIUM COPPER, ELECTROLESS NICKEL PLATED PER SAE-AMS-C-26074 OR SAE-AMS-2404E  
 INSULATOR MATERIAL: LIQUID CRYSTAL POLYMER (LCP) PER ASTM D5138 OR POLYPHENYLENE SULFIDE (PPS) PER ASTM D4067  
 O-RING MATERIAL: FLUOROSILICONE
- 2 WIRE TERMINATION: 28 AWG SOLID, 30 AWG STRANDED WIRE OR SMALLER
- 3 LUBRICATE O-RING WITH PARKER SUPER-O-LUBE PRIOR TO INSTALLATION
- 4 THIS DRAWING ALSO IDENTIFIED AS NANONICS 303-0024

|  |  |                              |                  |      |   |            |               |
|--|--|------------------------------|------------------|------|---|------------|---------------|
| THIS DRAWING IS A CONTROLLED DOCUMENT.   |  | DWN<br>M. STORRY<br>4 MAY 99 |                  |      | RECEPTACLE ASSEMBLY, CIRCULAR,<br>FLUSH MOUNT, QUICK<br>DISCONNECT, METAL, 7 POSITION |            |               |
| DIMENSIONS:<br>INCHES  |  | CHK<br>E. PAULUS<br>7 MAY 99 |                  |      |   |            |               |
| TOLERANCES UNLESS OTHERWISE SPECIFIED:   |  | APVD<br>S. KAIN<br>27 JAN 00 |                  |      |   |            |               |
| 0 PLC ± -<br>1 PLC ± -<br>2 PLC ± .010<br>3 PLC ± .005<br>4 PLC ± -<br>ANGLES ± 1° |  | NAME                         |                  |      |   |            |               |
| MATERIAL<br>SEE NOTES  |  | FINISH<br>SEE NOTES          | PRODUCT SPEC     | SIZE | CAGE CODE   | DRAWING NO | RESTRICTED TO |
|  |  | WEIGHT                       | APPLICATION SPEC | A2   | 0JPN9   | 1589056    | -             |
|  |  | CUSTOMER DRAWING             | SCALE            | 6:1  | SHEET   | 1 of 1     | REV           |
|  |  |                              |                  |      |   |            | G             |

## X-ON Electronics

Largest Supplier of Electrical and Electronic Components

*Click to view similar products for [Standard Circular Connector](#) category:*

*Click to view products by [TE Connectivity](#) manufacturer:*

Other Similar products are found below :

[5M2530B10P](#) [600259N006](#) [600273N007](#) [6134-336-13149](#) [6134-337-11149](#) [6134-337-2390](#) [6134-341-17149](#) [6280-4SG-516](#) [6280-7SG-3DC](#)  
[6290](#) [6291A](#) [66200A-10](#) [680-SMG](#) [681-PMG](#) [CXS3102A14S2P](#) [CXS3102A181S](#) [7271-6SG-300](#) [7282-3PG-300-CH3](#) [75-474618-01S](#) [75-](#)  
[474618-04P](#) [75-474618-04S](#) [799539-000](#) [MI8-SE](#) [805-005-07NF11-19PC](#) [805-005-07NF15-7PA](#) [8280-4PG-516](#) [8280-7PG-519](#) [8282-5PG-](#)  
[519](#) [836783-1](#) [MP-4102-25P-C](#) [862256-1](#) [864019-2](#) [866857-1](#) [867865-1](#) [PT01SP-14-18P](#) [PT08P-14-5S](#) [120-1833-000](#)  
[QCM019PC2DC012B](#) [1-2069279-1](#) [121583-0217](#) [121667-0020](#) [129591AU](#) [1000B BULK](#) [RD10A16-19-P6CS051/1](#) [RD10A20-31-](#)  
[P8CS051/1](#) [RD16A14-12-S6CS051/2](#) [1301240290](#) [1301240347](#) [1301860202](#) [1301240268](#) [1301240275](#)