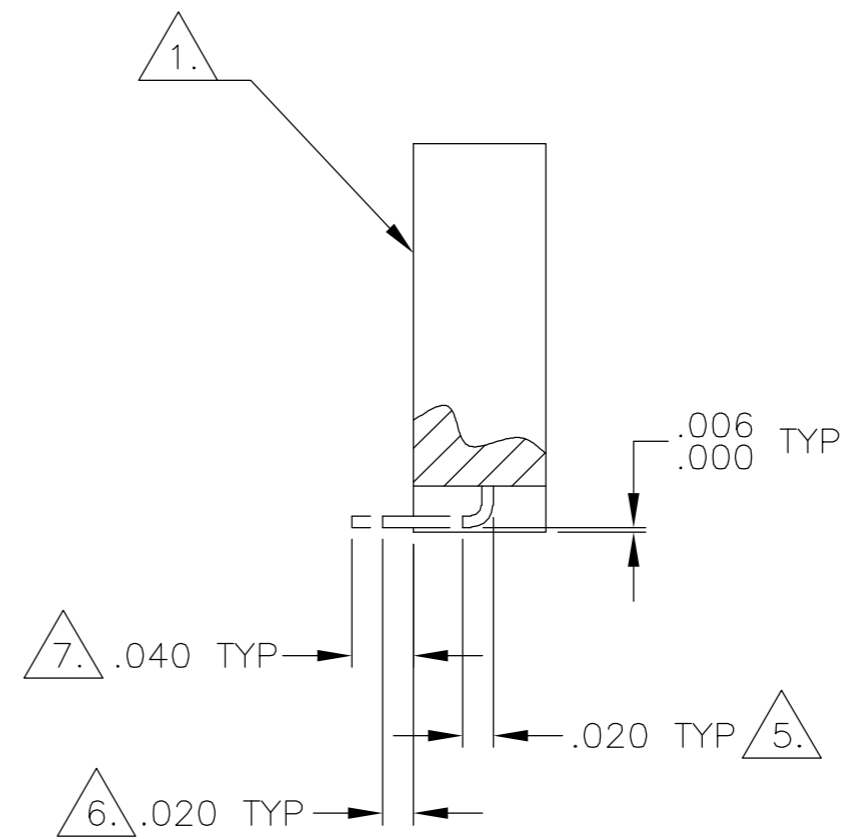
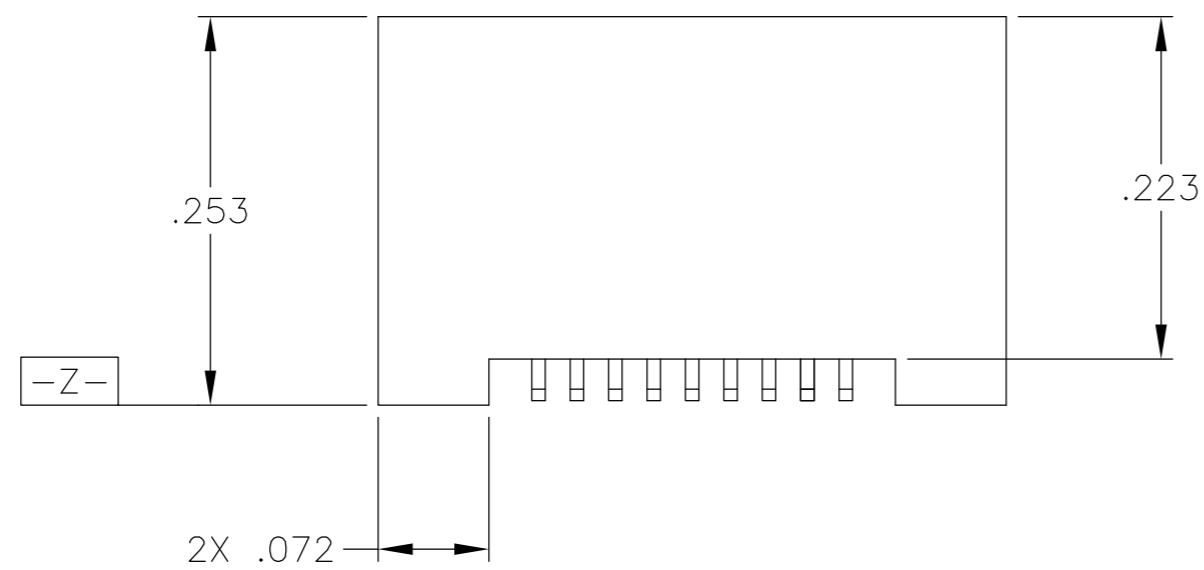
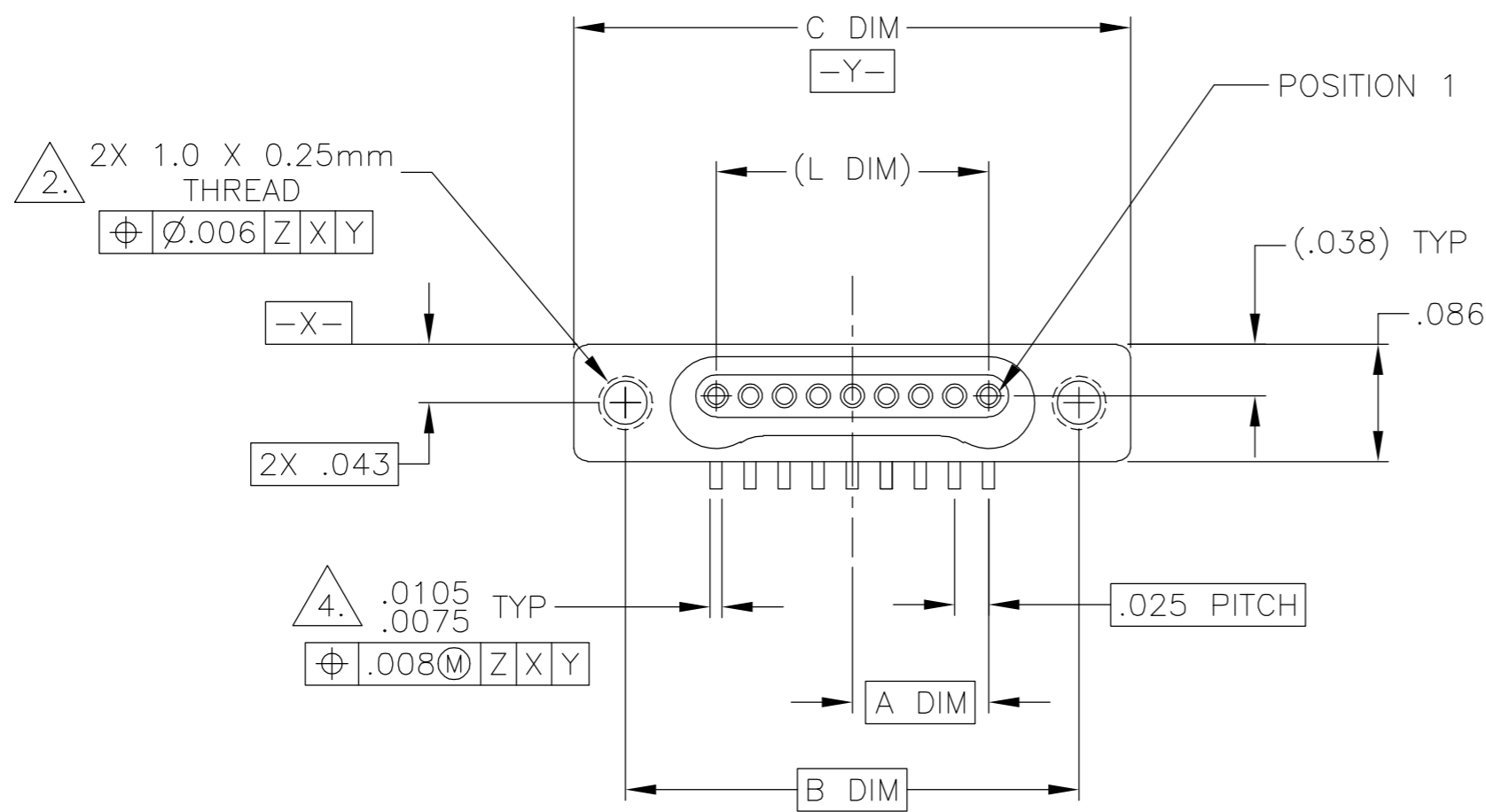


THIS DRAWING IS UNPUBLISHED. RELEASED FOR PUBLICATION  
 © COPYRIGHT BY TYCO ELECTRONICS CORPORATION. ALL RIGHTS RESERVED.

LOC	DIST	REVISIONS					
DF	D0	P	LTR	DESCRIPTION	DATE	DWN	APVD
		E		UPDATE PER 0H2Y-0164-04	05-12-04	JDM	MKS

SIZE	A DIM	B DIM	C DIM ±.0050	(L DIM)
05	.050	.233	.3085	(.100)
09	.100	.333	.4085	(.200)
15	.175	.483	.5585	(.350)
25	.300	.733	.8085	(.600)
37	.450	1.033	1.1085	(.900)
51	.625	1.383	1.4585	(1.250)

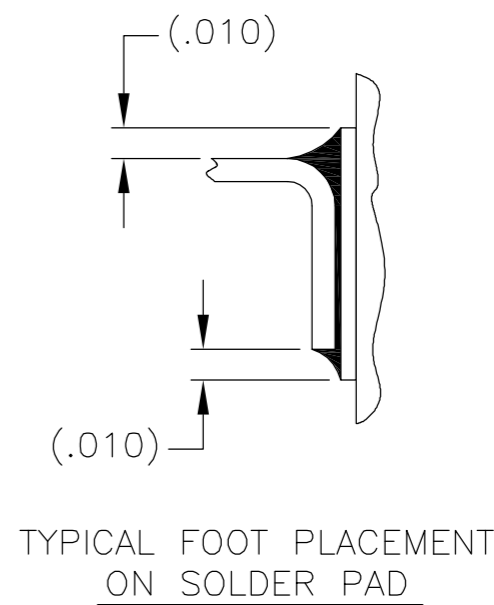
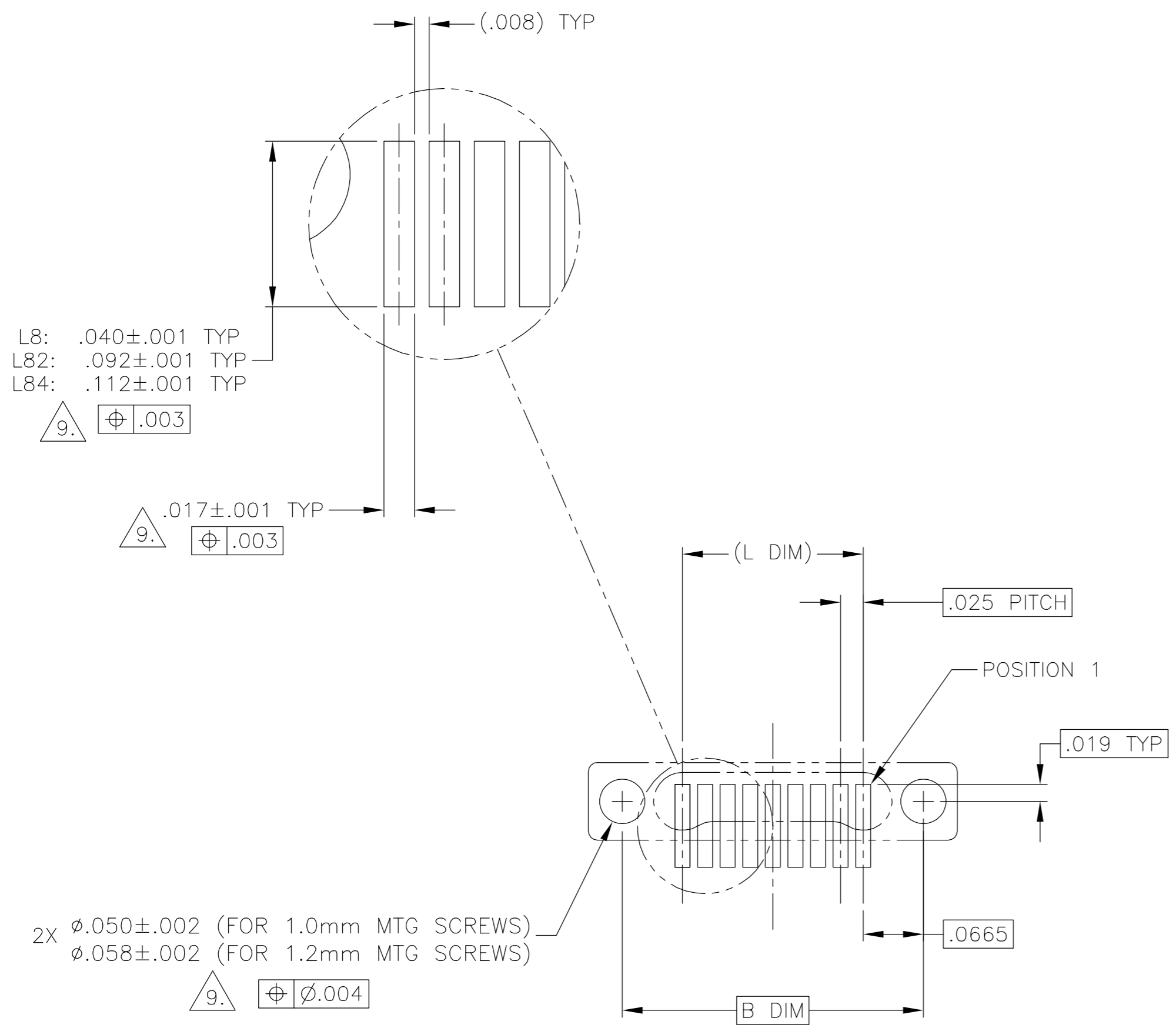


- 1. SHELL OPTIONS (TO BE SPECIFIED IN NANONICS PART NUMBER):  
 METAL: 6061-T6 ALUMINUM, ELECTROLESS NICKEL PLATED PER MIL-C-26074 (STANDARD) OR GOLD PLATED PER MIL-G-45204  
 303 STAINLESS STEEL, PASSIVATED PER SAE-AMS-QQ-P-35  
 INSULATOR MATERIAL FOR ALL METAL SHELLS IS LIQUID CRYSTAL POLYMER (LCP) PER MIL-M-24519 OR PER ASTM D5138
- 2. STANDARD 1.00 X 0.25mm JACKSCREW AND MOUNTING THREADS ARE SHOWN FOR REFERENCE ONLY AND MUST BE SPECIFIED IN THE NANONICS PART NUMBER WHEN REQUIRED. 1.2 X 0.25mm THREADS ALSO AVAILABLE.
- 3. MOUNTING HARDWARE IS AVAILABLE WITH THIS CONFIGURATION (NOT SHOWN). HARDWARE MUST BE SPECIFIED IN THE NANONICS PART NUMBER. CONSULT TYCO ELECTRONICS FOR DETAILS.
- 4. SMT LEADS ARE BeCu, TIN LEAD PLATED 60/40 COMPOSITION PER SAE-AMS-P-81728
- 5. NANONICS TERMINATION CODE L8    6. NANONICS TERMINATION CODE L82    7. NANONICS TERMINATION CODE L84
- 8. THIS DRAWING PREVIOUSLY IDENTIFIED AS NANONICS N10138/146

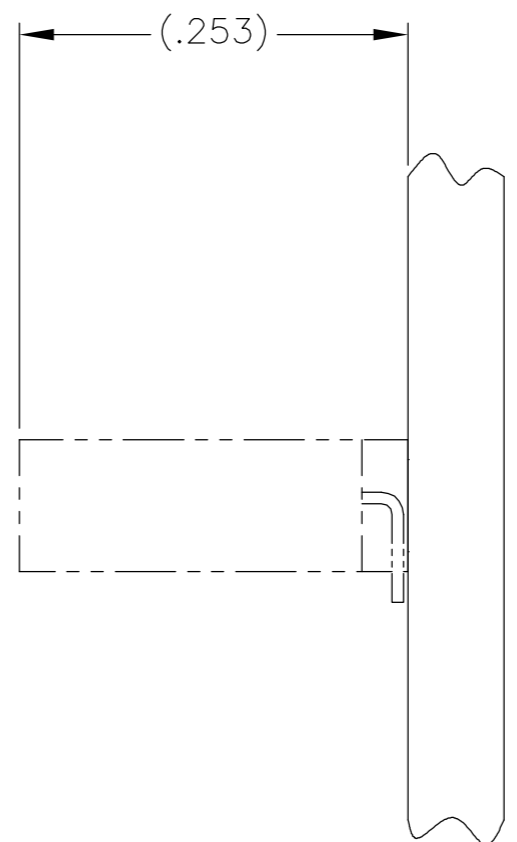
THIS DRAWING IS A CONTROLLED DOCUMENT.		DWN C. SCHOLL	03-30-01	Tyco Electronics Corporation Harrisburg, PA 17105
DIMENSIONS: INCHES		CHK M. STORRY	04-02-01	
TOLERANCES UNLESS OTHERWISE SPECIFIED:		APVD M. STORRY	06-06-02	
0 PLC ± - 1 PLC ± - 2 PLC ± .010 3 PLC ± .005 4 PLC ± - ANGLES ± 1°		NAME		
MATERIAL SEE NOTES		FINISH SEE NOTES		RECEPTACLE ASSEMBLY, VERTICAL SURFACE MOUNT, SINGLE ROW DUALLOBE, METAL W/ INTEGRATED STANDOFFS
CUSTOMER DRAWING		SCALE	8:1	RESTRICTED TO
		SIZE	A2	
		CAGE CODE	00779	
		DRAWING NO	C=1589467	
		SHEET	1	OF
			2	REV
				E

THIS DRAWING IS UNPUBLISHED. RELEASED FOR PUBLICATION  
 © COPYRIGHT BY TYCO ELECTRONICS CORPORATION. ALL RIGHTS RESERVED.

LOC		DIST		REVISIONS			
P	LTR	DESCRIPTION		DATE	DWN	APVD	
DF	DO	E		UPDATE PER 0H2Y-0164-04	05-12-04	JDM	MKS



TYPICAL FOOT PLACEMENT ON SOLDER PAD



SIZE 09 SHOWN FOR REFERENCE

TYPICAL PCB LAYOUT

9. POSITIONAL TOLERANCES FOR BASIC DIMENSIONED FEATURES ARE RELATIVE TO FIDUCIALS OR SOME SIMILAR DATUM REFERENCE DEFINED BY THE PCB DESIGNER.

THIS DRAWING IS A CONTROLLED DOCUMENT.		DWN C. SCHOLL 03-30-01	 Tyco Electronics Corporation Harrisburg, PA 17105																							
DIMENSIONS: INCHES		CHK M. STORRY 04-02-01																								
TOLERANCES UNLESS OTHERWISE SPECIFIED:		APVD M. STORRY 06-06-02																								
<table border="1"> <tr><td>0</td><td>PLC</td><td>±</td><td>-</td></tr> <tr><td>1</td><td>PLC</td><td>±</td><td>-</td></tr> <tr><td>2</td><td>PLC</td><td>±</td><td>.010</td></tr> <tr><td>3</td><td>PLC</td><td>±</td><td>.005</td></tr> <tr><td>4</td><td>PLC</td><td>±</td><td>-</td></tr> <tr><td colspan="2">ANGLES</td><td>±</td><td>1°</td></tr> </table>		0		PLC	±	-	1	PLC	±	-	2	PLC	±	.010	3	PLC	±	.005	4	PLC	±	-	ANGLES		±	1°
0	PLC	±	-																							
1	PLC	±	-																							
2	PLC	±	.010																							
3	PLC	±	.005																							
4	PLC	±	-																							
ANGLES		±	1°																							
MATERIAL		PRODUCT SPEC	SIZE A2																							
FINISH		APPLICATION SPEC	CAGE CODE 00779																							
		WEIGHT	DRAWING NO C=1589467																							
		CUSTOMER DRAWING	RESTRICTED TO																							
		SCALE 8:1	SHEET 2 OF 2																							
			REV E																							

## X-ON Electronics

Largest Supplier of Electrical and Electronic Components

*Click to view similar products for [D-Sub MIL Spec Connectors](#) category:*

*Click to view products by [TE Connectivity](#) manufacturer:*

Other Similar products are found below :

[M85049/50-5F](#) [MDM-21PH046F](#) [850-056-0812](#) [1218697-4](#) [1484349-1](#) [17D25HV](#) [1996840-1](#) [243082-15](#) [1757682-1](#) [17D-E51218-1](#)  
[17SDA15S](#) [1883533-1](#) [1883886-1](#) [1883889-1](#) [192900-0377](#) [M24308/8-347](#) [M83513/03-E09C](#) [443961-3](#) [MDM-21PH041F](#) [MDM-](#)  
[21PH048F](#) [5-1218949-1](#) [550-031NF1R6K](#) [3-1236089-2](#) [550E001NF1R3J0L](#) [550T001NF1R6K0L](#) [557T283NF5B08](#) [DB121073-56](#)  
[DC121073157](#) [443869-3](#) [443869-4](#) [443869-5](#) [550S004NF1R1B0F03](#) [557E283NF1A06](#) [527-019NF0303R2K1F](#) [5-446405-1](#) [550-](#)  
[031NF1R2E](#) [550E003M2R9J0F04](#) [550E003M3R9J0F05](#) [550E024M104R9J0](#) [550E024NF102R3J0B](#) [550E039NF1R3J1-02](#)  
[550S003M3R9B0F05](#) [550S004M4R7M0F04](#) [550S004NF1R1B1F02](#) [550S008M3F0K0F04](#) [550S086M5R3J0L](#) [550S100NF3F0E](#)  
[550T001M2R7E0L](#) [550T001NF1F0B1L](#) [550T001NF1R1K0G](#)