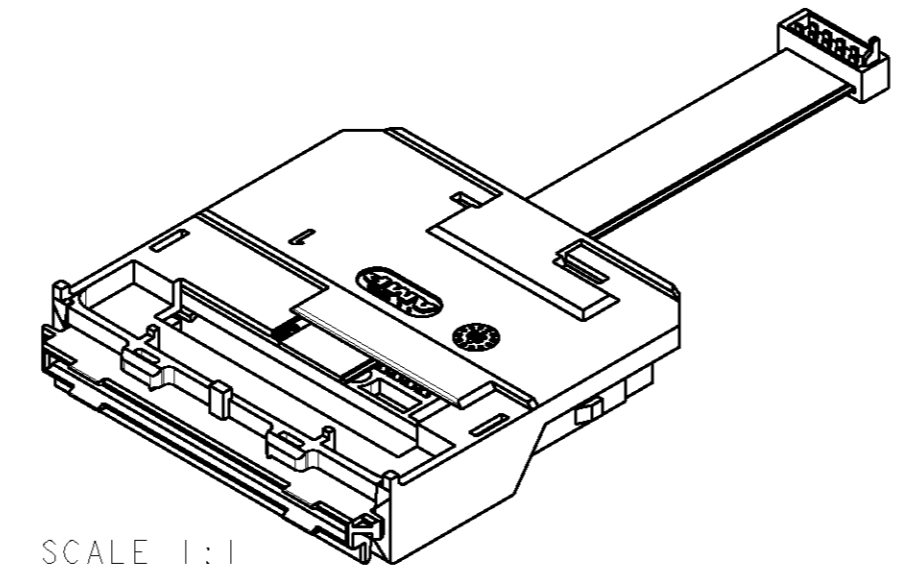
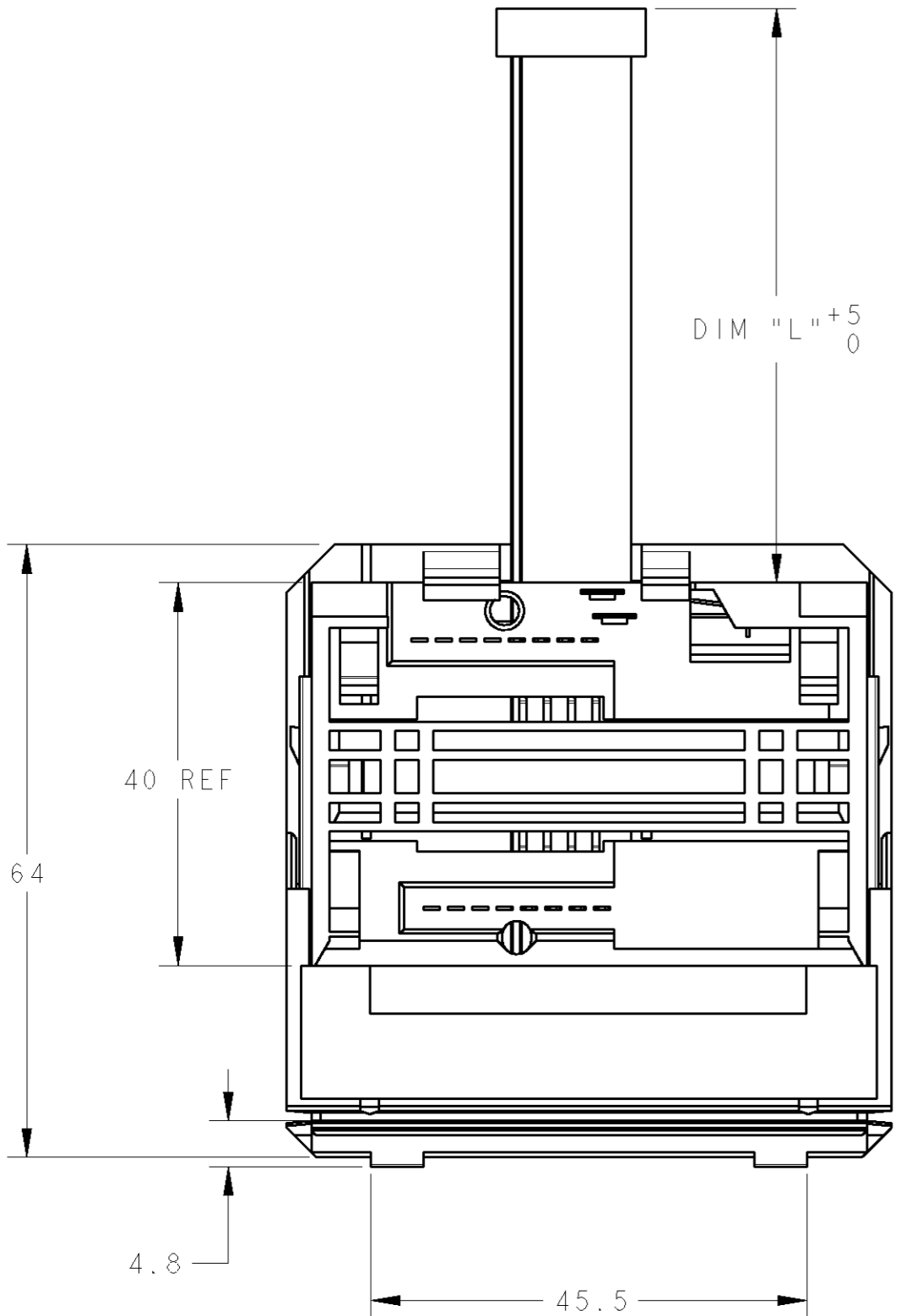
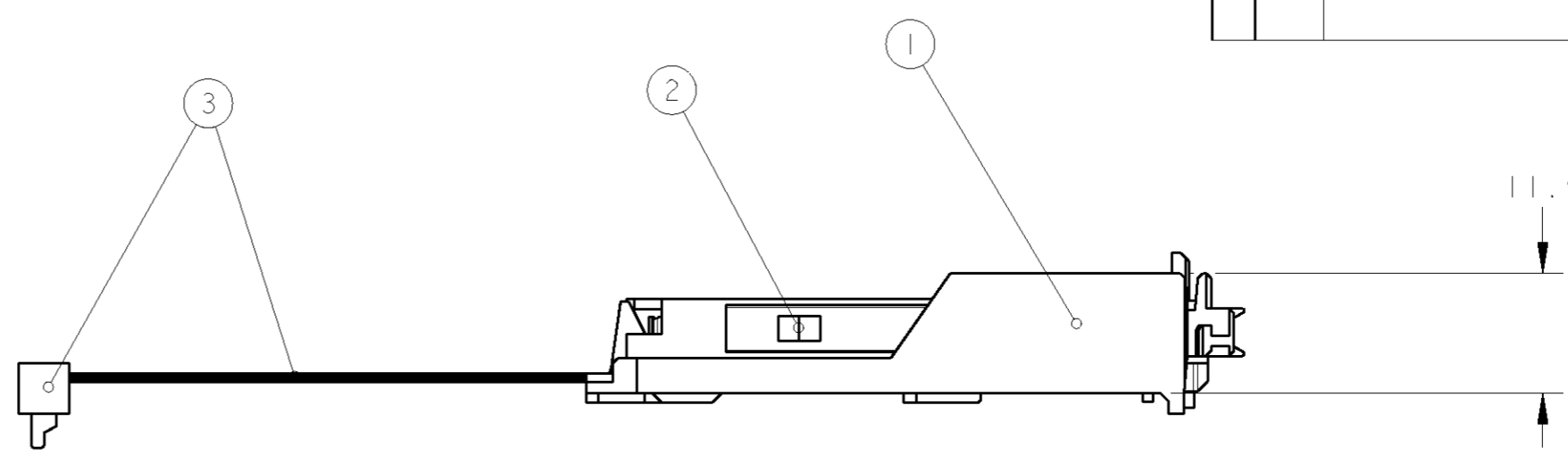
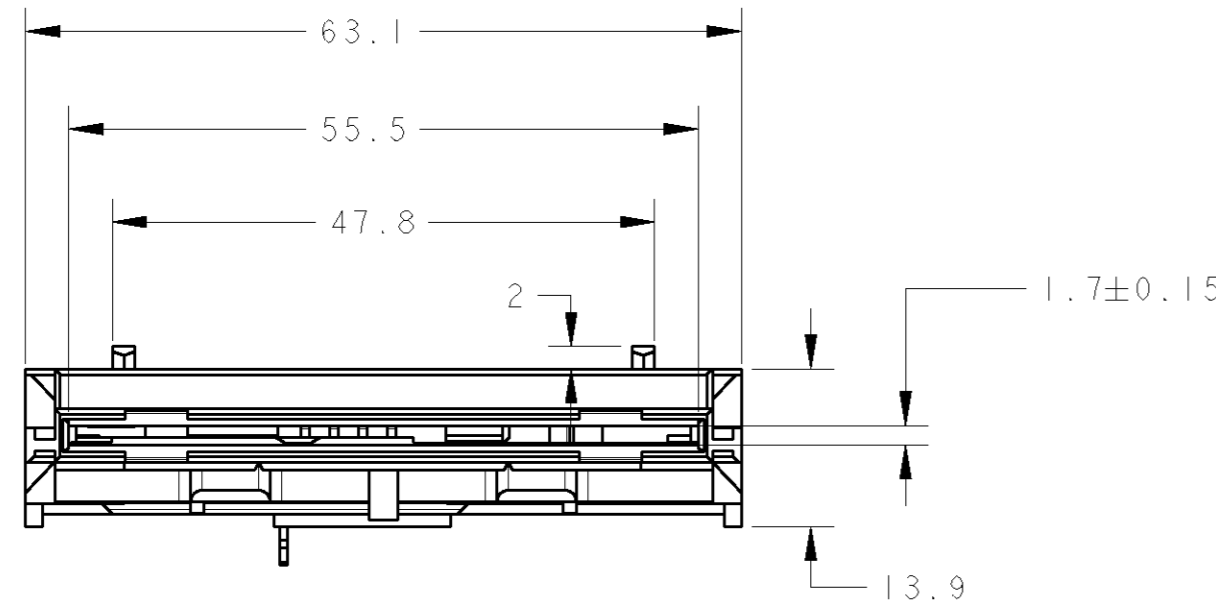


RELEASED FOR PUBLICATION
 BY TYCO ELECTRONICS CORPORATION. ALL RIGHTS RESERVED.

| LOC | DIST | REVISIONS | | | | | |
|-----|------|-----------|-----|--------------|-----------|-----|------|
| H | - | P | LTR | DESCRIPTION | DATE | DWN | APVD |
| | | A | | EH10-0478-04 | 06DEC2004 | RC | PJ |
| | | AI | | EH10-0156-05 | 02FEB2005 | RC | PJ |

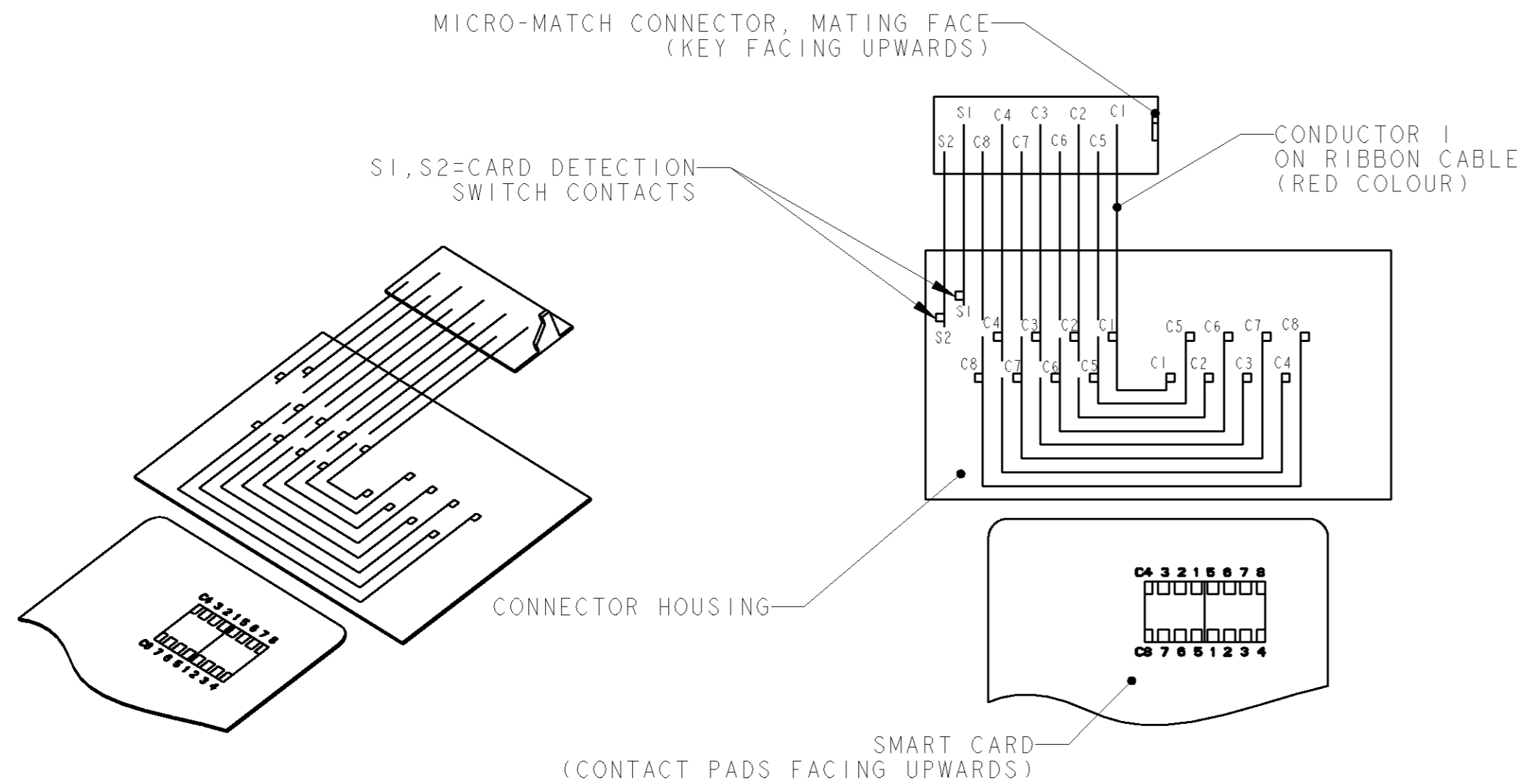


- ① SMART CARD READER : PBT G-F, BLACK, UL 94V0
 FIXING FRAME : ABS, BLACK, UL 94V0
 SIGNAL AND SWITCH CONTACTS : PHOSPHOR BRONZE.
- ② ALL CONTACTS : 0.00076 GOLD ON MATING AREAS,
 0.0025 TIN (LEADFREE/MATTE) ON SOLDER TAILS,
 ALL OVER 0.001 NICKEL.
- ③ AMP P/N'S ASS'Y :
 - 5953497-1/-3/-5/-6/-8/1--0 8 POSITIONS ISO 7816
 - 5953497-2/-4/-7 16 POSITIONS ISO/CP8 AFNOR
- ④ UL STYLE 2651 RIBBON CABLE PVC AND,
 10 POSITIONS MICRO-MATCH CONNECTOR;
 TO BE MATED WITH
 I-215079-0 THROUGH HOLE VERSION OR I-188275-0 SMT VERSION
- ⑤ AMP SMART CARD RECEPTACLE DESIGNED TO ACCEPT ISO 7810-7816 TYPE
 INTEGRATED CIRCUIT SMART CARDS (0.76MM REF. THICKNESS)
 SEE SHEET 2/2
- ⑥ CONNECTOR MEETS EMV REQUIREMENTS

| | | | | | | | | | | | | |
|-------------------|---|-----|----|----|----|----|----|----|-----------------------------------|----|-------------|------|
| - | - | | | - | - | - | - | - | RIBBON CABLE ASS'Y, L = 70mm | 3 | | |
| - | - | - | - | | - | - | - | - | RIBBON CABLE ASS'Y, L = 130mm | 3 | | |
| - | - | - | - | - | | - | - | - | RIBBON CABLE ASS'Y, L = 140mm | 3 | | |
| | | - | - | - | - | | - | - | RIBBON CABLE ASS'Y, L = 100mm | 3 | | |
| - | - | - | - | - | - | - | | | RIBBON CABLE ASS'Y, L = 60mm | 3 | | |
| | | - | | | - | | - | | SMART CARD READER ASS'Y : 8 POS. | 2 | | |
| - | - | | - | - | - | | - | - | SMART CARD READER ASS'Y : 16 POS. | 2 | | |
| | | | | | | | | | FIXING FRAME -2 | 1 | | |
| ASS'Y P/N 5953497 | ③ | 1-0 | -8 | -7 | -6 | -5 | -4 | -3 | -2 | -1 | DESCRIPTION | ITEM |

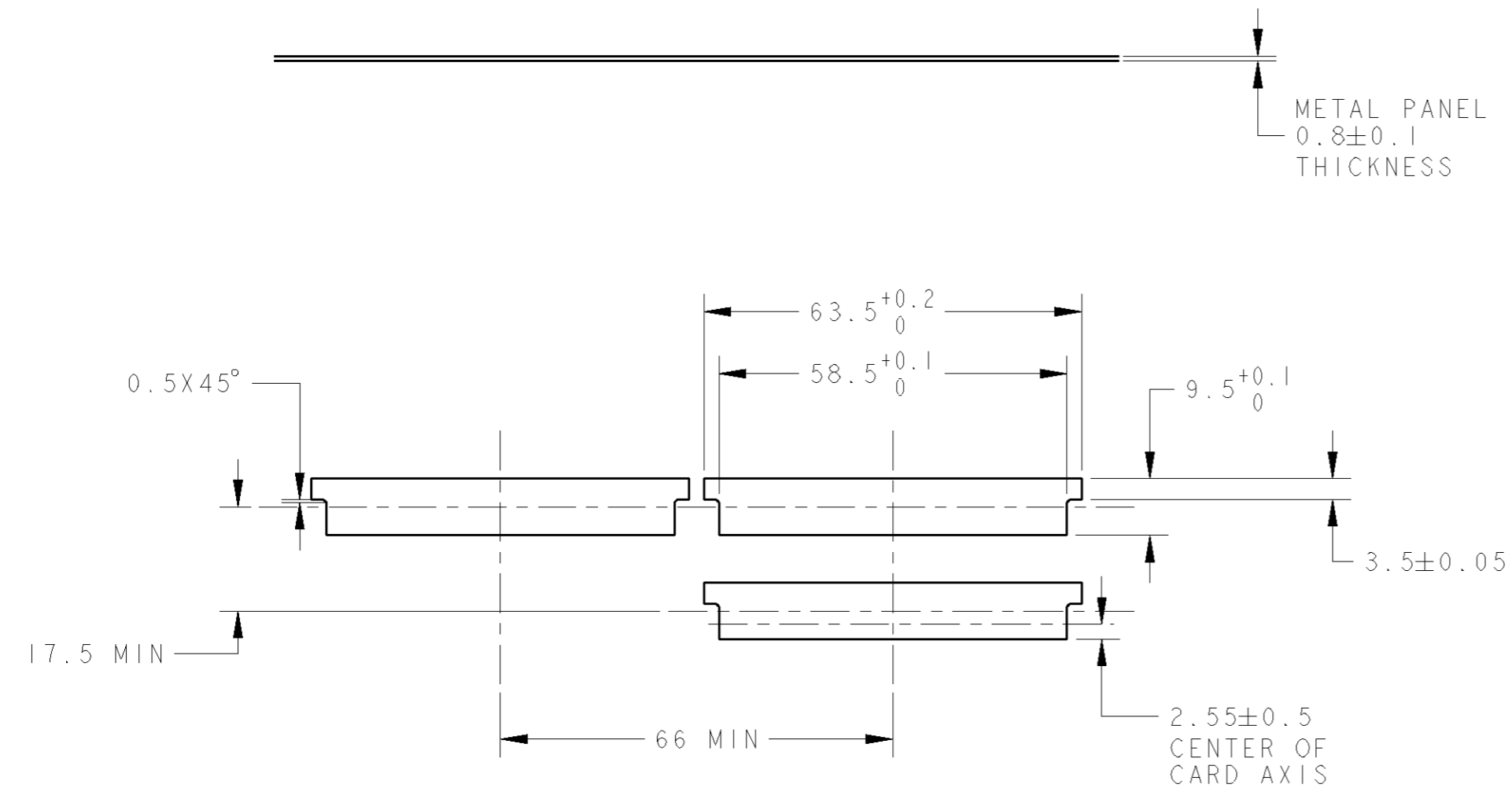
| | | | |
|--|--|--|--|
| THIS DRAWING IS A CONTROLLED DOCUMENT FOR TYCO ELECTRONICS CORPORATION IT IS SUBJECT TO CHANGE AND THE CONTROLLING ENGINEERING ORGANIZATION SHOULD BE CONTACTED FOR THE LATEST REVISION. | | DWN R. Coolen 06-Dec-04 CHK P. Jaeger APVD P. Jaeger PRODUCT SPEC 108-15174 APPLICATION SPEC WEIGHT - CUSTOMER DRAWING | tyco Electronics TYCO ELECTRONICS NEDERLAND B.V. 's-HERTOGENBOSCH, THE NETHERLANDS NAME SMART CARD READER 0.76 mm; PANEL MOUNT WITH CABLE BLADE SWITCH, NORMALLY CLOSED SIZE A2 CAGE CODE 00779 DRAWING NO. C-5953497 RESTRICTED TO - SCALE 3:2 SHEET 1 OF 2 REV A1 |
| DIMENSIONS: mm | TOLERANCES UNLESS OTHERWISE SPECIFIED: 0 PLC ±0.5 1 PLC ±0.3 2 PLC ±0.13 3 PLC ±0.013 4 PLC ±0.0001 ANGLES ± FINISH | MATERIAL ① - ② - | |

THIS DRAWING IS UNPUBLISHED. RELEASED FOR PUBLICATION
 © COPYRIGHT - BY TYCO ELECTRONICS CORPORATION. ALL RIGHTS RESERVED.



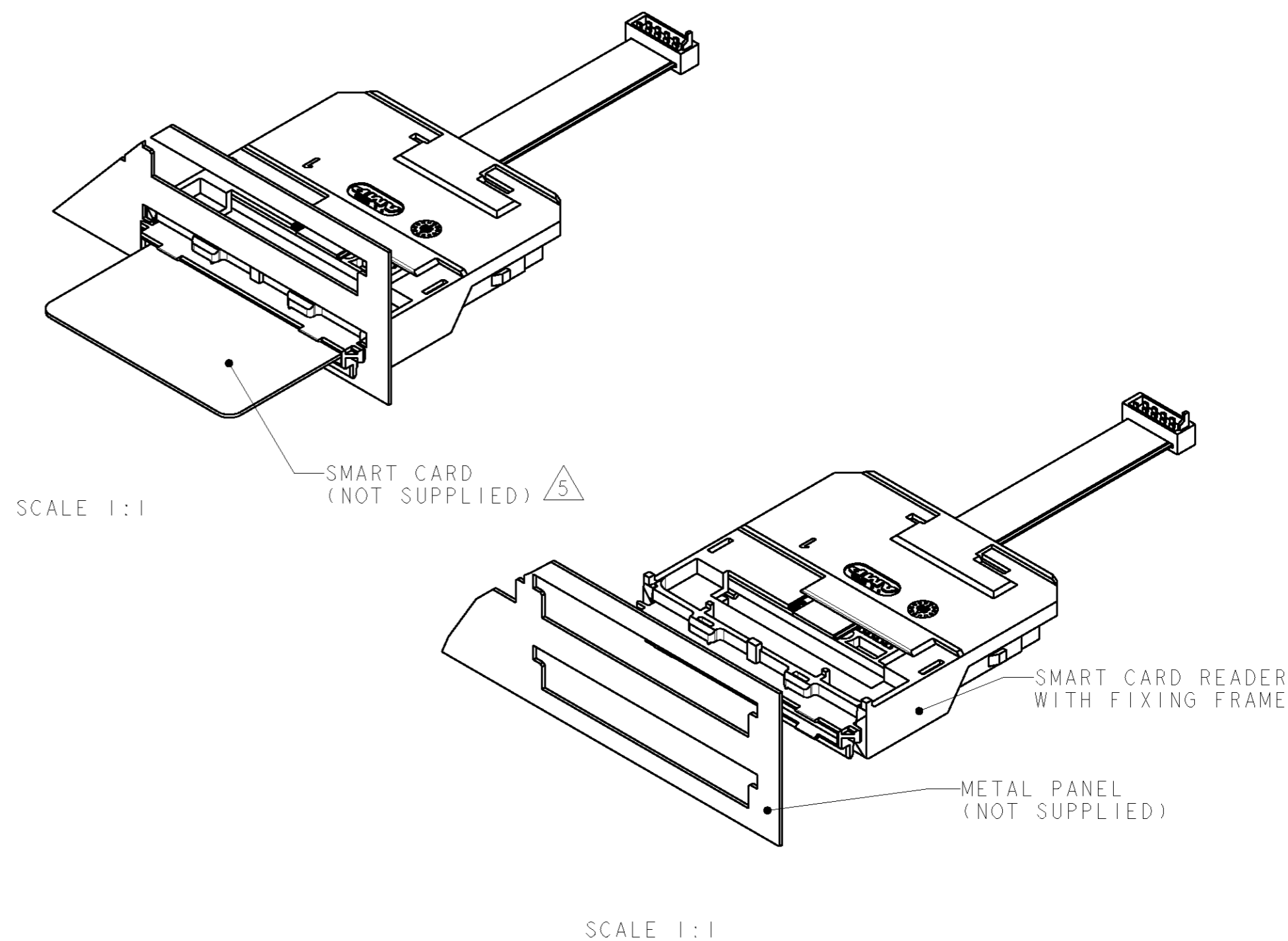
ELECTRICAL DIAGRAM

SMART CARD READER, MOUNTING DIRECTION AND RECOMMENDED PUNCHING DIRECTION



SCALE 1:1
RECOMMENDED METAL PANEL CUT-OUT

| LOC | DIST | REVISIONS | | | | | |
|-----|------|-----------|-----|-------------|------|-----|------|
| H | - | P | LTR | DESCRIPTION | DATE | DWN | APVD |
| | | - | | SEE SHEET 1 | | | |



PANEL MOUNTING CONFIGURATION

| | | | | |
|---|--|-------------------------------|---|-------------------------|
| THIS DRAWING IS A CONTROLLED DOCUMENT FOR TYCO ELECTRONICS CORPORATION. IT IS SUBJECT TO CHANGE AND THE CONTROLLING ENGINEERING ORGANIZATION SHOULD BE CONTACTED FOR THE LATEST REVISION. | | DWN R. Coolen 06-Dec-04 | tyco Electronics TYCO ELECTRONICS NEDERLAND B.V. 's-HERTOGENBOSCH, THE NETHERLANDS | |
| DIMENSIONS: mm | | CHK P. Jaeger | NAME SMART CARD READER 0,76 mm; PANEL MOUNT WITH CABLE BLADE SWITCH, NORMALLY CLOSED | |
| TOLERANCES UNLESS OTHERWISE SPECIFIED: 0 PLC ±0,5 1 PLC ±0,3 2 PLC ±0,13 3 PLC ±0,013 4 PLC ±0,0001 ANGLES ± | | APVD P. Jaeger | PRODUCT SPEC - | |
| MATERIAL - | | APPLICATION SPEC - | SIZE A2 | RESTRICTED TO - |
| FINISH - | | WEIGHT - | CAGE CODE 00779 | DRAWING NO G-5953497 |
| CUSTOMER DRAWING | | SCALE 3:2 | SHEET 2 | OF 2 REV A1 |

X-ON Electronics

Largest Supplier of Electrical and Electronic Components

Click to view similar products for [Memory Card Connectors](#) category:

Click to view products by [TE Connectivity](#) manufacturer:

Other Similar products are found below :

[M21-033321-005](#) [6407-249V-25273P](#) [6407-249V-25343P](#) [6426-201-21343](#) [69.920.0553.0](#) [FCN-568P068-G/07-4V](#) [809180410000000](#)
[N7E50-7516PG-20-WF](#) [HMCAP001](#) [252-0144-000](#) [2041353-2](#) [33CFAE-DN](#) [502431-1011](#) [EN2997S61212BN](#) [EN2997SE61212BN](#) [NX1-32T-KT3K\(05\)](#) [95622-003LF](#) [N7E50-U516RB-50-SIN0005](#) [95079-00CALF](#) [33DVIR-29S12R](#) [125A-78C00](#) [MI20A-50PD-SF-EJL\(71\)](#)
[KP10S-SF-PEJ\(812\)](#) [504536-0691](#) [504580-0691](#) [CCM03-3109 B LFT](#) [MI21-50PD-SF\(91\)](#) [2309923-1](#) [61126-050CAHLF](#) [IC1GA-68PD-1.27DS-EJ\(72\)](#) [GTFP08432B1HR](#) [G85DT17001P1EU](#) [G85B21611142HHR](#) [GSD090144HR](#) [G85D1140022P1HR](#) [GMCB05801124EU](#)
[G85C11101152HHR](#) [G85B231021B1HR](#) [G85D1160022HHR](#) [112K-TAA0-RA1](#) [115S-ACA2](#) [115S-ACA3](#) [115S-BS00](#) [115S-BT00](#) [115V-AD00](#) [MCSP-Q1-08-A-SG-T/R](#) [503960-0695](#) [101B-TAA0-R](#) [101D-TAAA-R01](#) [101D-TAAB-R01](#)