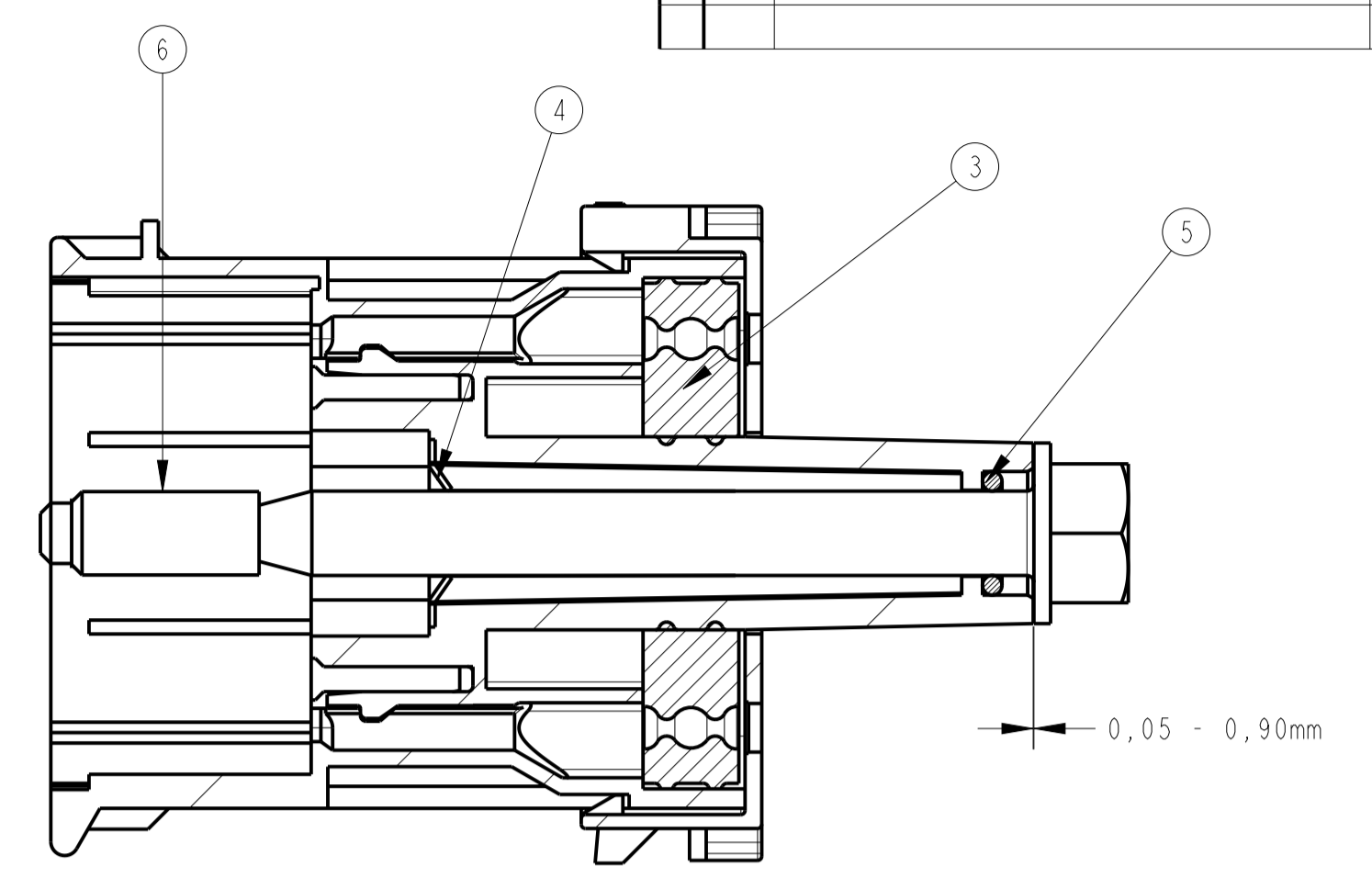
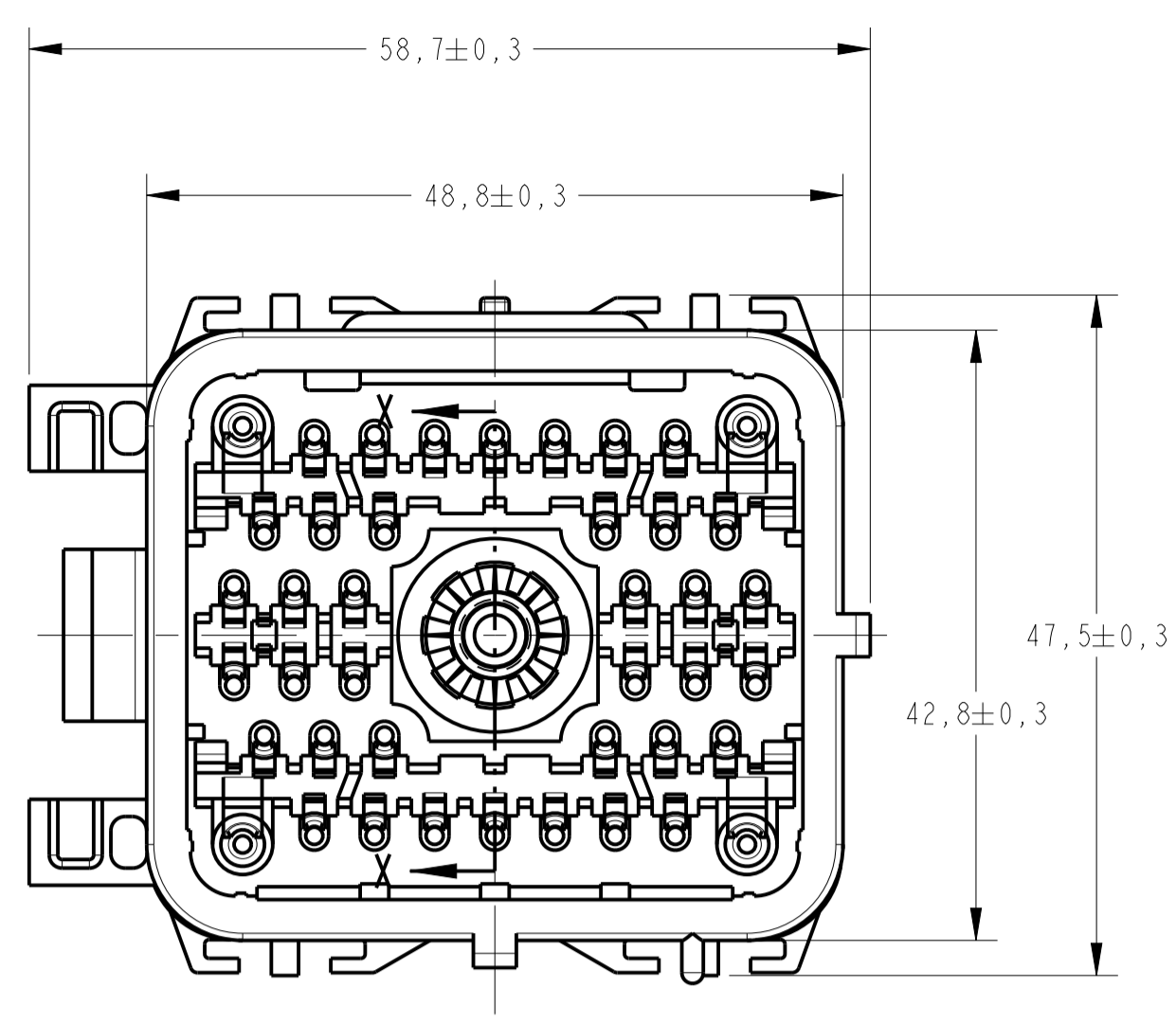
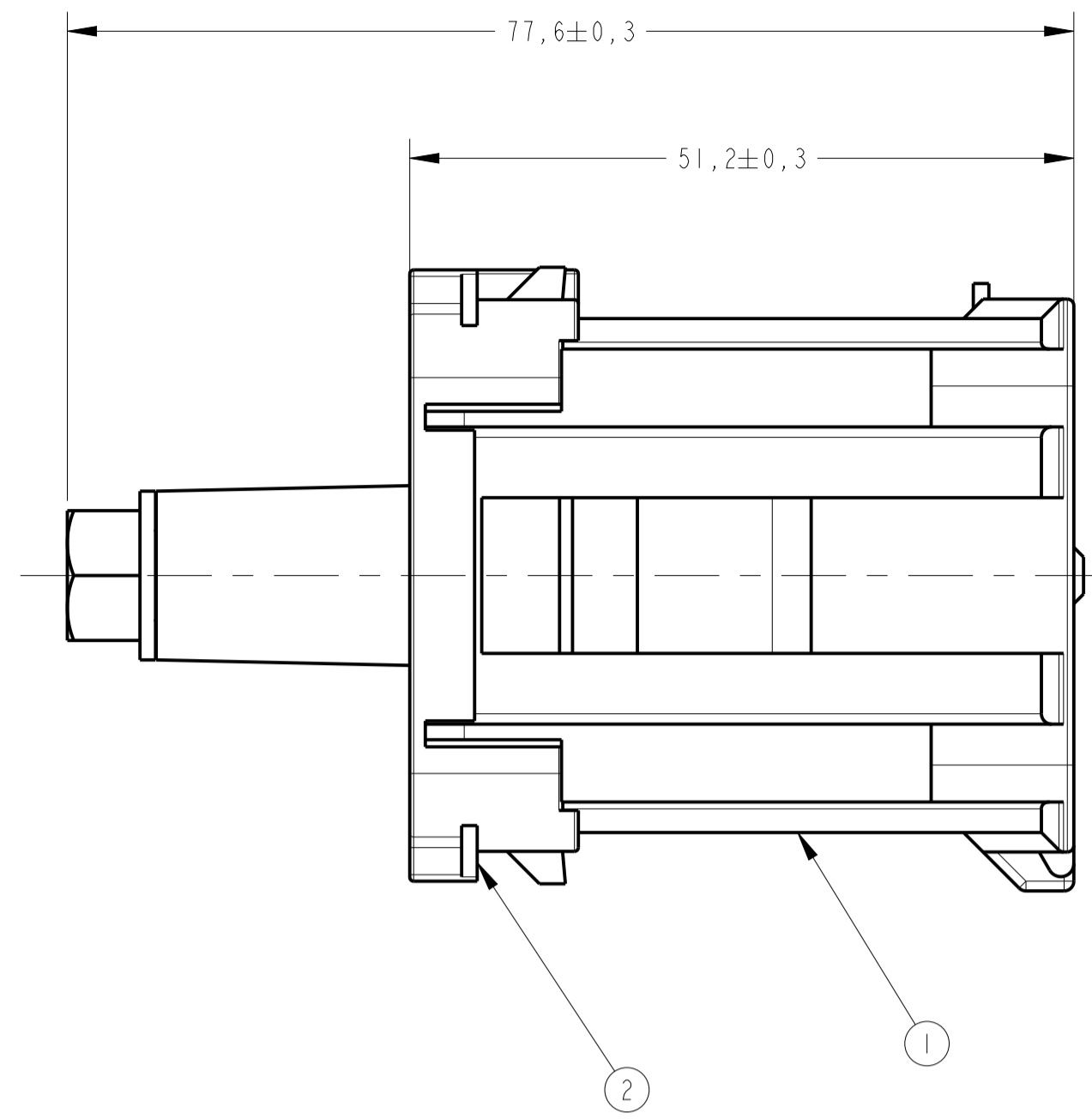
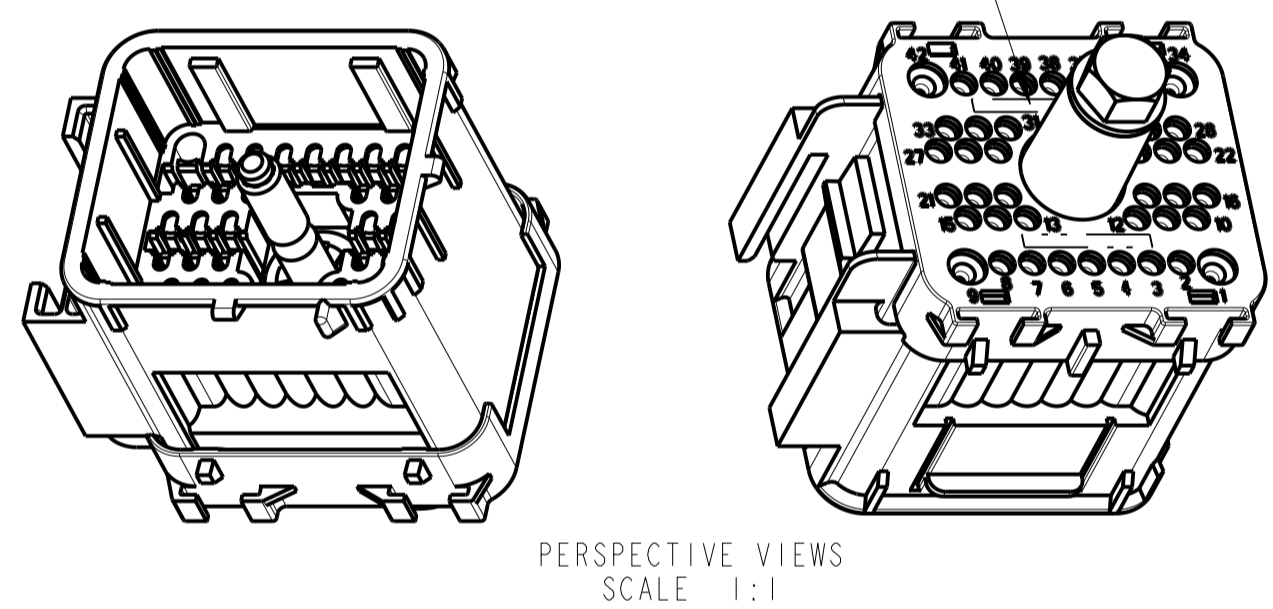
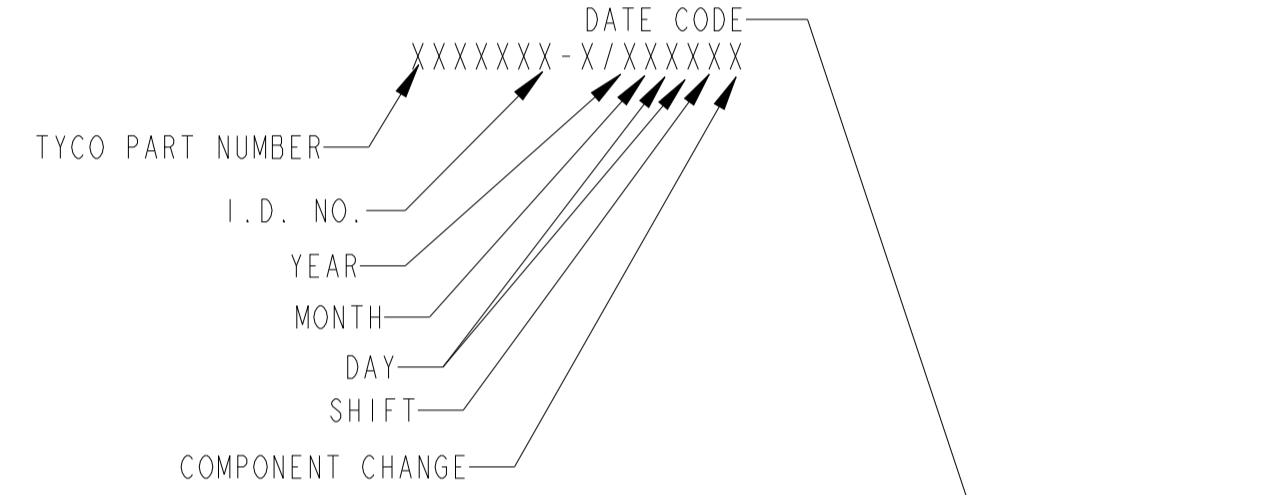


CAD FILE
DO NOT REVISE EXCEPT BY CAD

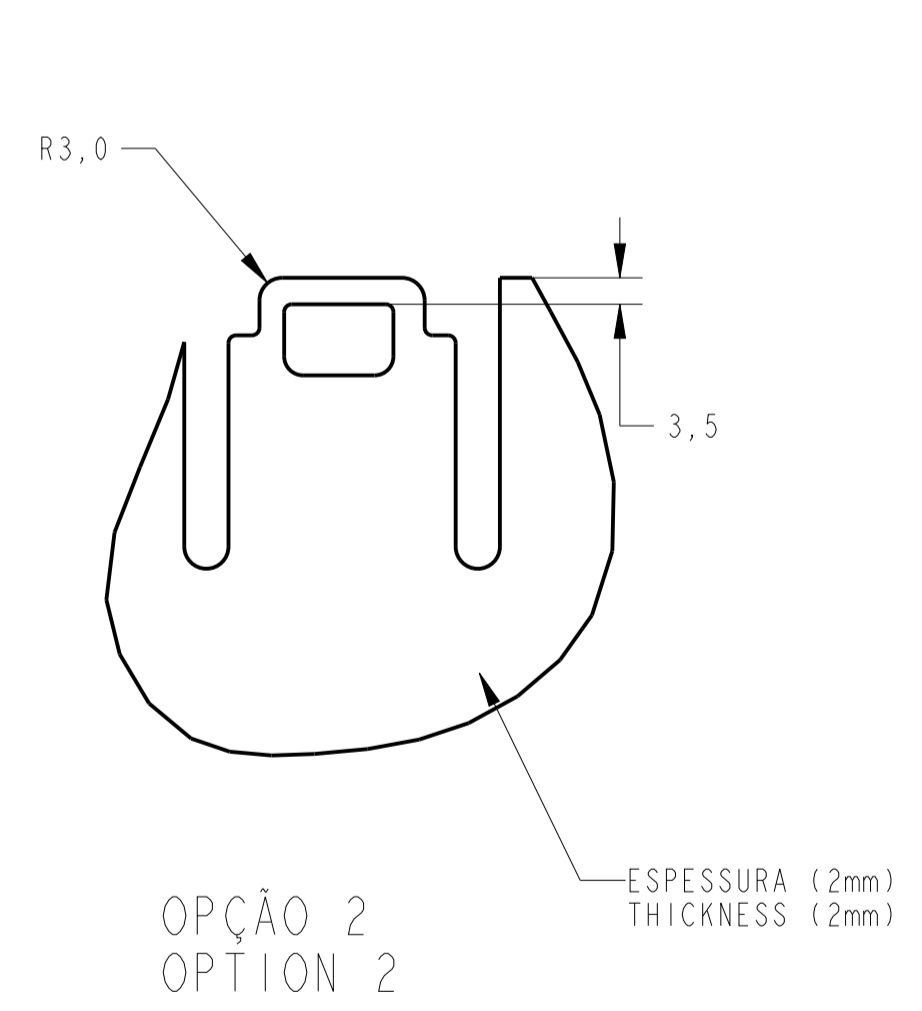
REVISIONS				
P.	LTA	DESCRIPTION	DATE	DWN APVD
C1		REVISED PER ECO-20-013015	13OCT2020	AP DO
C2		REVISED BY ECN-21-102829	23APR2021	LAA NMS



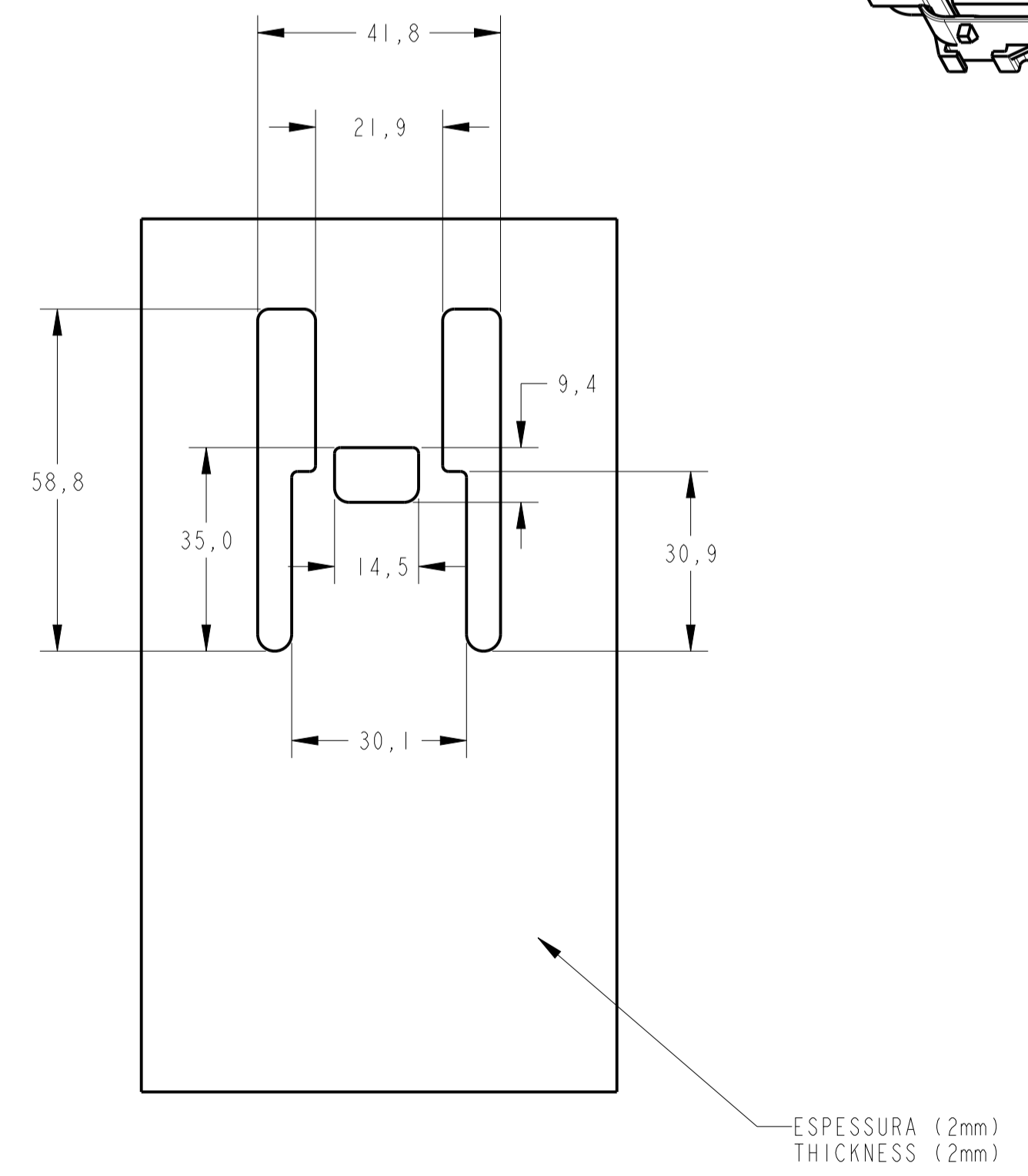
SECTION X-X



- 1 - UTILIZAR COM SPACER CENTRAL 493502-1 (1CADA) E SPACER LATERAL 493501-1 (2CADA)
 - 2 - PARA ASSEGURAR A COMPATIBILIDADE FUNCIONAL ENTRE AS PEÇAS ELAS DEVEM SER FERRAMENTADAS JUNTAS E MANUFATURADAS POR UM MESMO PROVEDOR.
 - 3 - 1599027 (HOUSING ASSY PIN CONTACT) DEVE MONTAR COM 1599028 (HOUSING ASSY, SOCKET CONTACT) APROPRIADAMENTE.
 - 4 - AS PEÇAS DEVEM ENCAIXAR COMPLETAMENTE USANDO-SE TORQUE MÁXIMO NO PARAFUSO DE 3,65 Nm.
 - 5 - PARA EXTRAÇÃO DO TERMINAL UTILIZAR FERRAMENTA CONF. AMP SPEC 411-37031
- 1 - TO BE USED WITH CENTRAL SPACER 493502-1 (1EACH) AND SIDE SPACER 493501-1 (2EACH).
 - 2 - TO ENSURE FUNCIONAL COMPATIBILITY BETWEEN PARTS THEY MUST BE TOOLED TOGETHER AND MOLDED BY A SINGLE SOURCE.
 - 3 - 1599027 (HOUSING ASSY PIN CONTACT) MUST MATE APPROPRIATE WITH 1599028 (HOUSING ASSY, SOCKET CONTACT).
 - 4 - PARTS MUST FULLY MATE USING 3.65 Nm MAXIMUM TORQUE ON BOLT.
 - 5 - FOR TERMINAL EXTRACTION TOOL SEE AMP SPEC 411-37031



OPÇÃO 2
OPTION 2



OPÇÃO 1
OPTION 1

OBSOLETE						
ITEM	QTY	PART REV	PART NUMBER	DESCRIPTION	MATERIAL	COLOR
6	1		770765-1 OR 776556-1	BOLT 6 mm	ACO/STEEL CLASS 5.8	NA
5	1		776232-1 OR 776232-2	"O" RING	NA	VERMELHO / RED LARANJA / ORANGE
4	1		493506-1	NUT 6 mm	ACO/STEEL SAE 1050/1065	NA
3	1		493507-1	GROMMET WIRE SEAL 16MIL	SILICONE	AZUL/BLUE
2	1		493503-3	COVER-WIRE CONNECTOR, 42 POSN.	PBT +33XGF	PRETO/BLACK
1	1		493500-3	HOUSING, 42 POSN. PIN CONTACT	PBT +33XGF	PRETO/BLACK
6 5 4 3 2 1		ITEM				
B	B	B	B	B	B	B
REQ. PER ASSY		PART REV	PART NUMBER	DESCRIPTION	MATERIAL	COLOR
1599027						

THIS DRAWING IS A CONTROLLED DOCUMENT.

DIMENSIONS: mm

TOLERANCES UNLESS OTHERWISE SPECIFIED:

0 PLC	±
1 PLC	±0.3
2 PLC	±
3 PLC	±
4 PLC	±
ANGLES	±1°

MATERIAL: SEE TABLE

FINISH: SEE TABLE

THIS DRAWING IS A CONTROLLED DOCUMENT.

DWN: E. J. G. SILVA 12AUG2002

CHK: P. L. FARIA 12AUG2002

APVD: D. OLIVEIRA 12AUG2002

NAME: HOUSING, ASSY., 42 POSN. PIN CONTACT

SIZE: A1

CAGE CODE: 00779

DRAWING NO: 1599027

RESTRICTED TO: -

CUSTOMER DRAWING

SCALE: 2:1


SHEET: 1 OF 2

REV: C2

REVISIONS					
REV	DATE	DESCRIPTION	BY	CHK	APPV
		SEE SHEET 1			

①		40		36	33					26	25				14						2	35	1599027-6																					
②		40		36	33					26	25		19	18	14				7			2	32	1599027-5																				
③		40		36	33					26	25				14				7			2	34	1599027-4																				
④		40		36	33		29	28		26	25				14							2	33	1599027-3																				
⑤		40	39	36	34	33		29	28	26	25				14		10	8	7	6		3	2	1	25	1599027-2																		
⑥																								42	1599027-1																			
	42	41	40	39	38	37	36	35	34	33	32	31	30	29	28	27	26	25	24	23	22	21	20	19	18	17	16	15	14	13	12	11	10	9	8	7	6	5	4	3	2	1	TOTAL OPEN HOLES	PN TE

THIS DRAWING IS A CONTROLLED DOCUMENT.

DIMENSIONS:	TOLERANCES UNLESS OTHERWISE SPECIFIED:	OWN: M. R. BRIZ 02JUL2003	 TE Connectivity
mm	0 PLC ±	CHK: P. L. FARIA 02JUL2003	
	1 PLC ±	APPV: D. A. OLIVEIRA 02JUL2003	
	2 PLC ±	PRODUCT SPEC	
	3 PLC ±	APPLICATION SPEC	NAME: HOUSING, ASSY., 42 POSN., PIN CONTACT
	4 PLC ±	WEIGHT	SIZE: CAGE CODE DRAWING NO
MATERIAL:	FINISH:	CUSTOMER DRAWING	RESTRICTED TO: A 00779 ©=1599027
			SCALE: 2:1 SHEET 2 OF 2 REV: C2

X-ON Electronics

Largest Supplier of Electrical and Electronic Components

Click to view similar products for [Automotive Connectors](#) category:

Click to view products by [TE Connectivity](#) manufacturer:

Other Similar products are found below :

[003-018-000](#) [60403001](#) [60993906-B](#) [M902-2131](#) [M902-2161](#) [M902-2344](#) [72.330.1035.1](#) [73.353.4028.0](#) [F119300-B](#) [F166900](#) [F258300-B](#)
[F358300-B](#) [F407400](#) [F444110](#) [F487000](#) [F509500B-B](#) [827153-1](#) [8N1515-32-24P](#) [9-1326729-8](#) [925474-1](#) [928905-1](#) [964562-4](#) [968782-1](#)
[GT17SA-8DS-HU](#) [98891-1012](#) [98947-1016](#) [12004147](#) [12004475-L](#) [12010290](#) [12010309-B](#) [12015454](#) [12020219-B](#) [12041318-B](#) [12052225-](#)
[L](#) [12052466](#) [12064869](#) [12004327-B](#) [12015308](#) [12015384](#) [12015909](#) [1-21030-1](#) [12041254](#) [12041318](#) [12047946-B](#) [12047957](#) [12047957-L](#)
[12059473](#) [12066261](#) [12110546](#) [12110546-B](#)