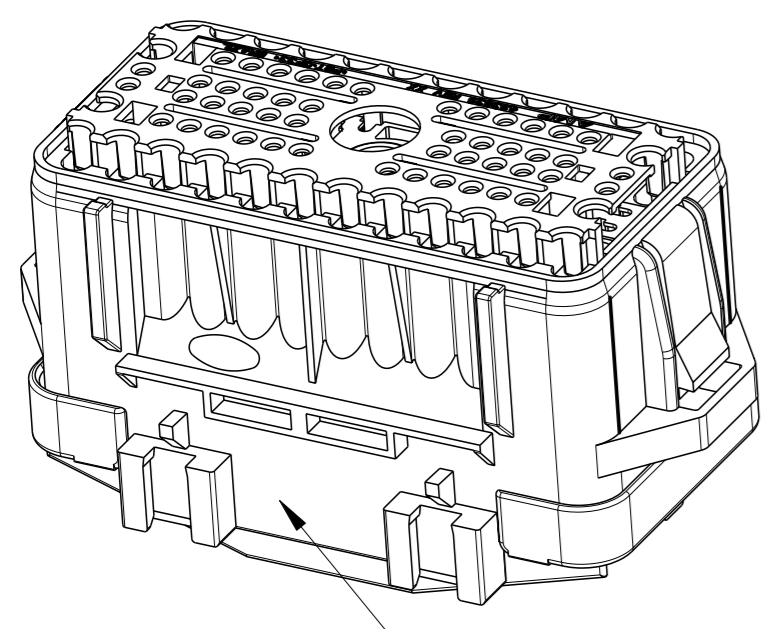
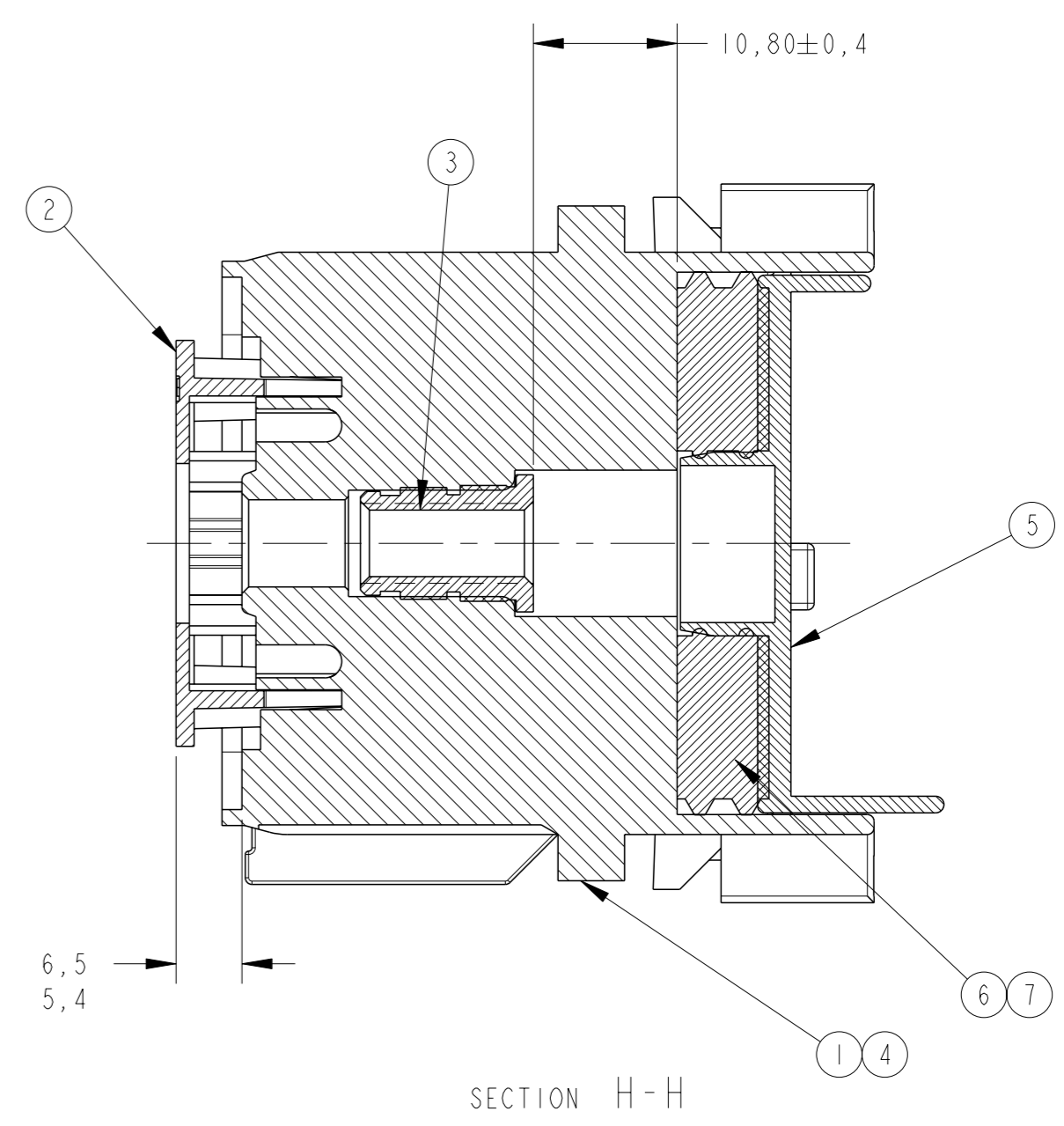
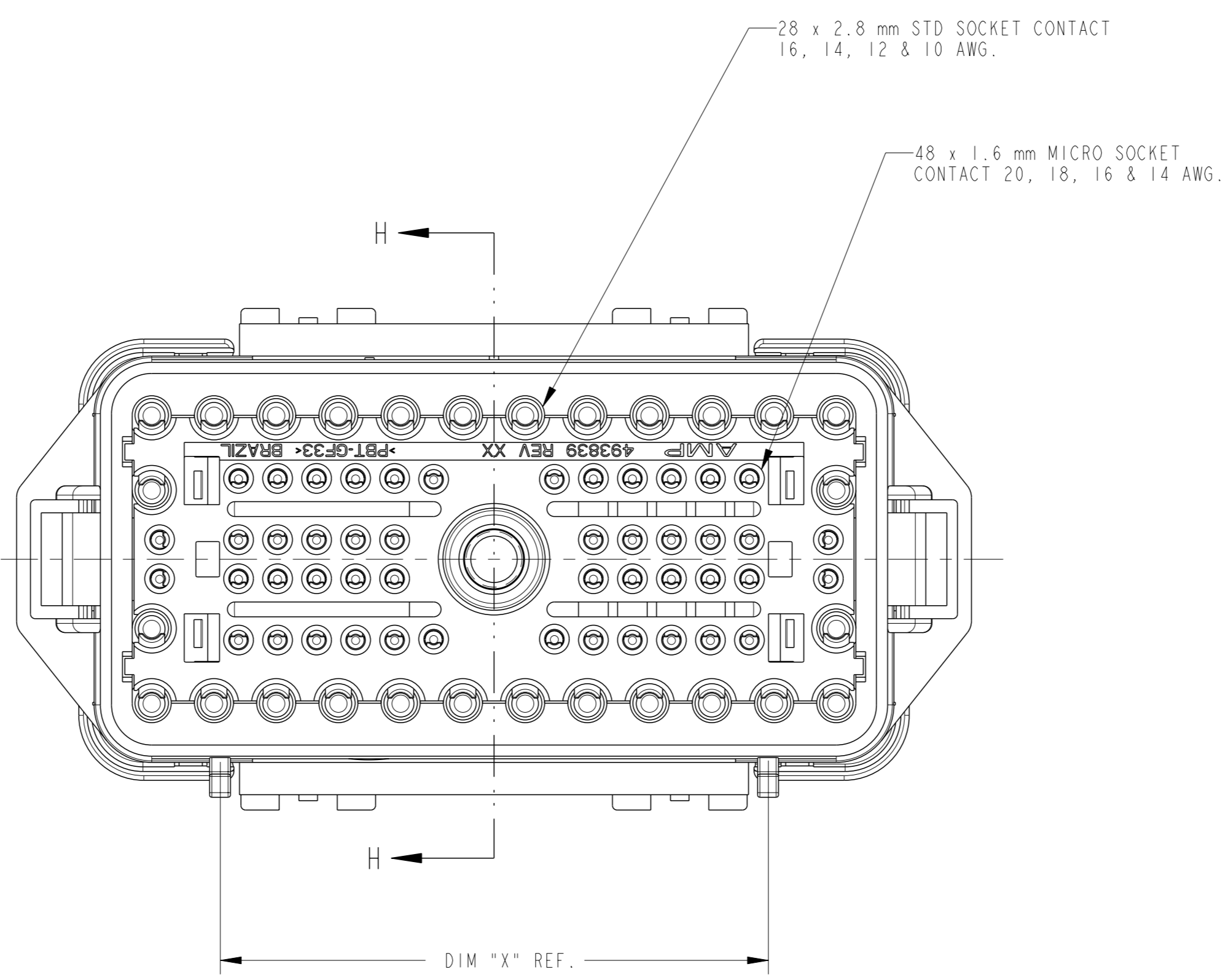
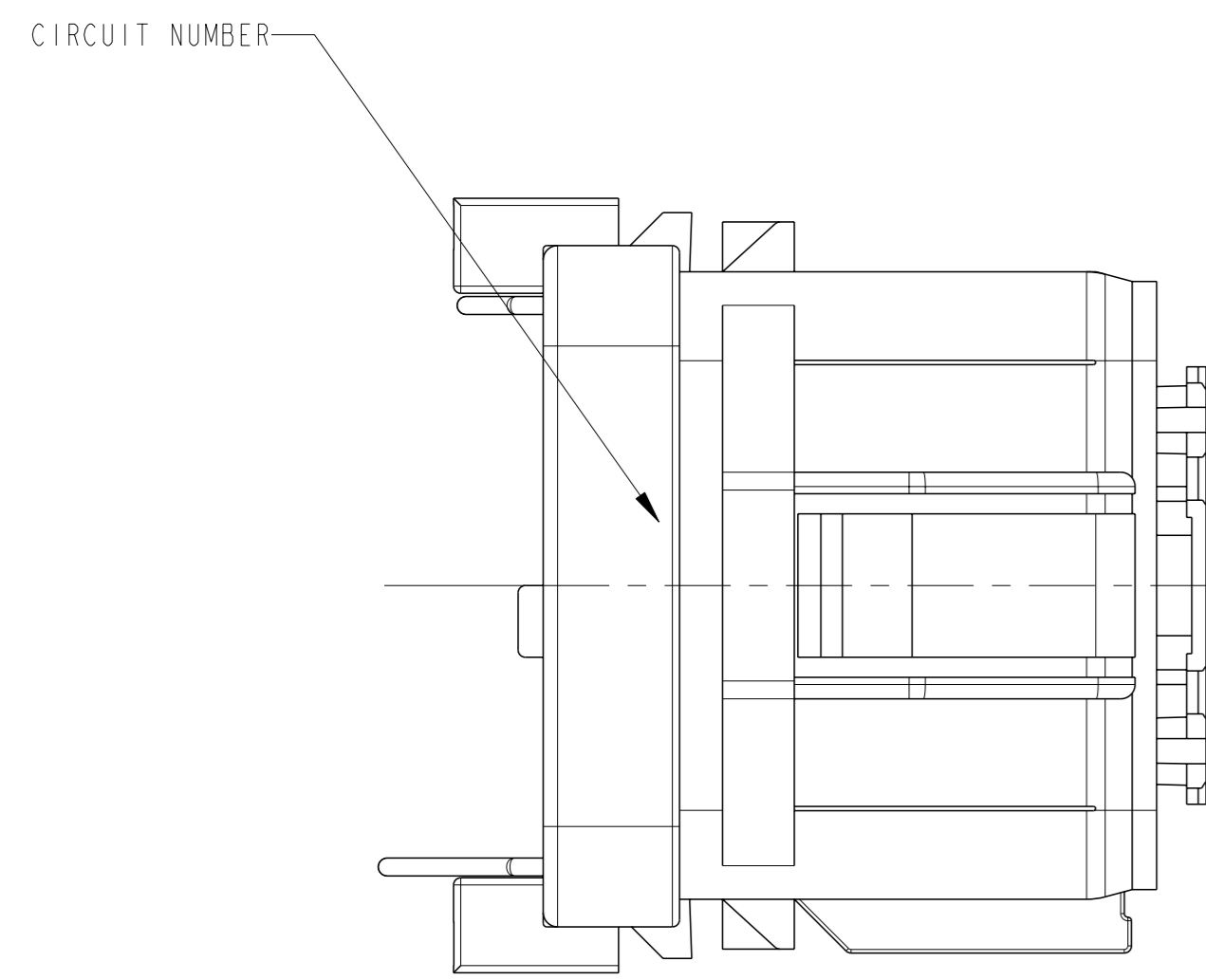


creo
 Creo Parametric 3.0
 DO NOT REVISE
 EXCEPT BY CAD

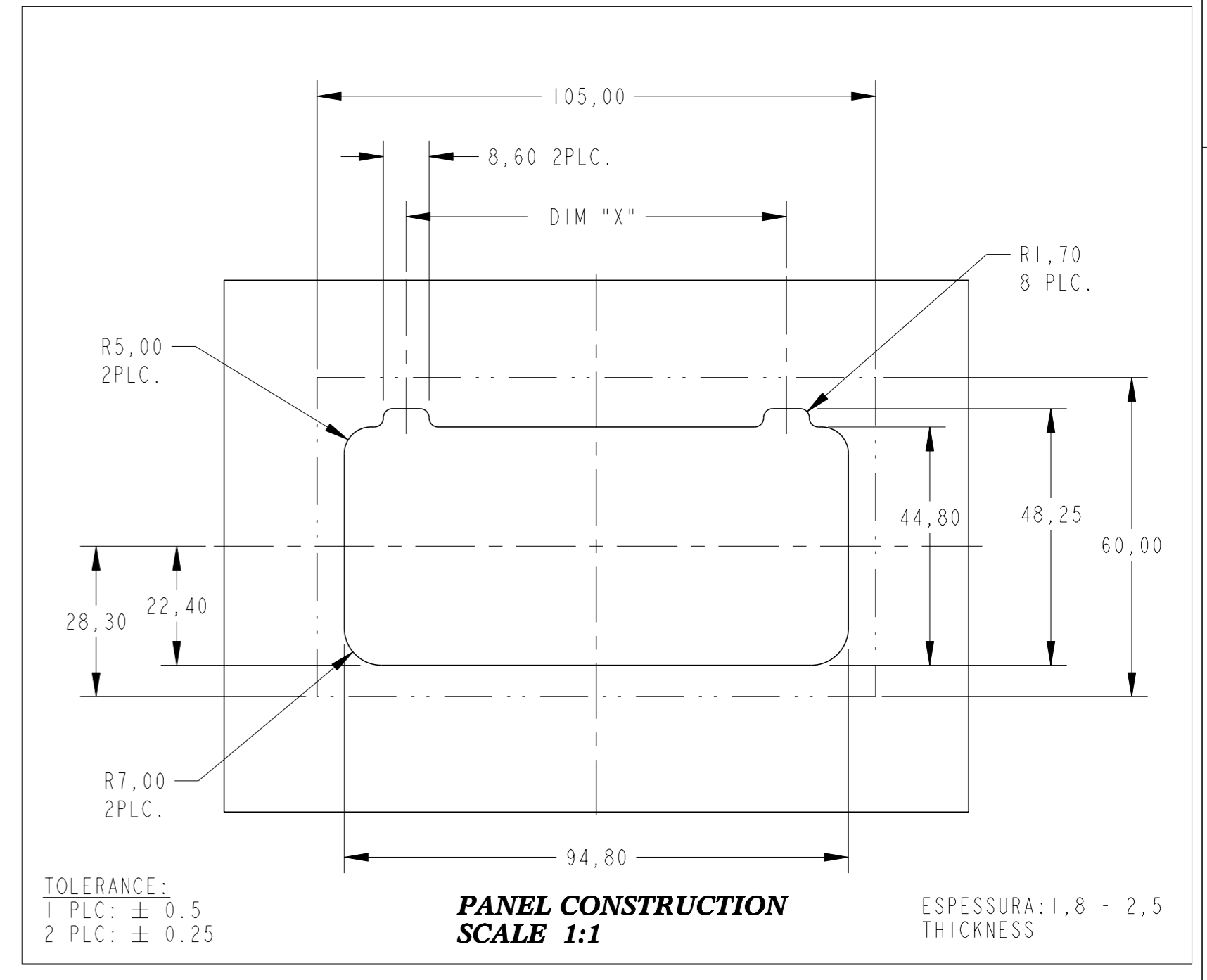
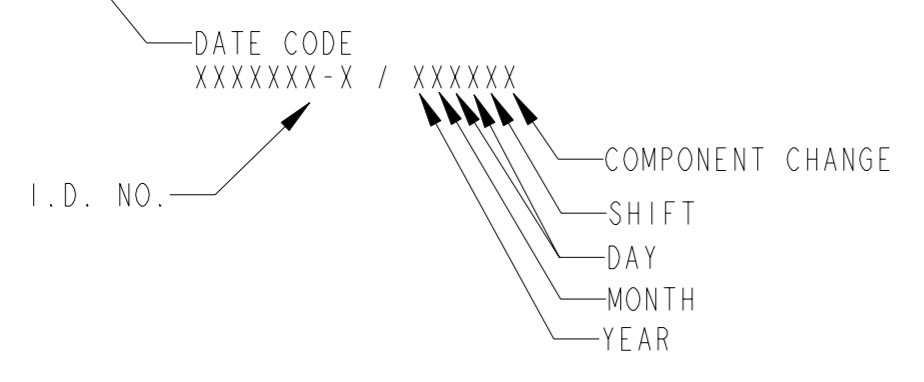
REV	DATE	BY	CHKD	APVD
C1	18SEP2018	NCL	NMS	
C2	28OCT2019	PSB	NMS	



KEY	DIM "X"	PART NUMBER
6	B	71,50 1599186-6
6	B	71,50 1599186-5
6	B	71,50 1599186-4
5	A	59,00 1599186-3
6	B	71,50 1599186-2
5	A	59,00 1599186-1

POLARIZATION

- | | |
|---|--|
| <p>1 - PARA ASSEGURAR A COMPATIBILIDADE FUNCIONAL ENTRE AS PEÇAS, ELAS DEVEM SER FERRAMENTADAS JUNTAS E MANUFATURADAS POR UM MESMO PROVEDOR.</p> <p>2 - 1599185 (HSG ASSY 76 POSN PIN CONTACT) DEVE MONTAR COM 1599186 (HSG ASSY 76 POSN SOCKET CONTACT) APROPRIADAMENTE.</p> <p>3 - AS PEÇAS DEVEM ENCAIXAR COMPLETAMENTE USANDO-SE TORQUE NO PARAFUSO DE 4,8±0,8 Nm.</p> <p>4 - PARA EXTRAÇÃO DO TERMINAL UTILIZAR FERRAMENTA CONFORME TE SPEC 411-37031</p> <p>5 - POLARIZAÇÃO "KEY A"</p> <p>6 - POLARIZAÇÃO "KEY B".</p> <p>7 - NÃO USAR FIO DE 20 AWG ISOLAÇÃO FINA. EXCETO PARA RAICHEM 55E 0,50mm² CABO O.D 1,21-1,31mm.</p> <p>8 - SOMENTE PROTÓTIPO.</p> | <p>1 - TO ENSURE FUNCTIONAL COMPATIBILITY BETWEEN PARTS THEY MUST BE TOOLED TOGETHER AND MOLDED BY A SINGLE SOURCE.</p> <p>2 - 1599185 (HSG ASSY 76 POSN PIN CONTACT) MUST MATE PROPERLY WITH 1599186 (HSG ASSY 76 POSN SOCKET CONTACT).</p> <p>3 - PARTS MUST FULLY MATE USING 4.8±0.8 Nm TORQUE ON BOLT.</p> <p>4 - FOR TERMINAL EXTRACTION TOOL SEE TE SPEC 411-37031</p> <p>5 - POLARIZATION "KEY A"</p> <p>6 - POLARIZATION "KEY B"</p> <p>7 - DO NOT USE 20 AWG THIN WALL INSULATION WIRE. EXCEPT BY RAICHEM 55E 0,50mm² CABLE O.D 1,21-1,31mm.</p> <p>8 - PROTOTYPE ONLY</p> |
|---|--|



OBSOLETE

QTY	ITEM	DESCRIPTION	MATERIAL	FINISH						
1	7	GROMMET 76 POSN.	SILICONE	MARROM/BROWN						
1	6	GROMMET, WIRE SEAL	SILICONE	AZUL/BLUE						
1	5	COVER 76 POSN. - WIRE SEAL	PBT 33% GF	NATURAL						
1	4	HSG 76 POSN SOCKET CONTACT FEMALE	PBT 33% GF	PRETO/BLACK						
1	3	NUT 6 mm	LATAO/BRASS							
1	2	SPACER 76 POSN.SOCKET CONTACT	PBT 33% GF	VERMELHO/RED						
1	1	HSG 76 POSN SOCKET CONTACT FEMALE	PBT 33% GF	NATURAL						
REQ.PER ASSY										
8	6	5	4	3	2	1	ITEM	DESCRIPTION	MATERIAL	FINISH
1599186										

QTY	ITEM	DESCRIPTION	MATERIAL	FINISH
76	1599186-6			
76	1599186-5			
76	1599186-4			
76	1599186-3			
76	1599186-2			
76	1599186-1			
TOTAL HOLES		TE		
		PART NUMBER		

TYCO ELECTRONICS CORPORATION

OWN: E. LOPES 23APR2004
 CHK: P. L. FARIA 23APR2004
 APVD: D. A. OLIVEIRA 23APR2004

NAME: HOUSING ASSY 76 POSN., SOCKET CONTACT

SIZE: A1 CAGE CODE: 00779 DRAWING NO: 1599186

RESTRICTED TO: RESTRICTED CUSTOMER

SCALE: 2:1 SHEET 1 OF 1 REV C2

X-ON Electronics

Largest Supplier of Electrical and Electronic Components

Click to view similar products for [Automotive Connectors](#) category:

Click to view products by [TE Connectivity](#) manufacturer:

Other Similar products are found below :

[003-018-000](#) [60403001](#) [60993906-B](#) [M902-2131](#) [M902-2161](#) [M902-2344](#) [72.330.1035.1](#) [73.353.4028.0](#) [F119300-B](#) [F166900](#) [F258300-B](#)
[F358300-B](#) [F407400](#) [F444110](#) [F487000](#) [F509500B-B](#) [827153-1](#) [8N1515-32-24P](#) [9-1326729-8](#) [925474-1](#) [928905-1](#) [964562-4](#) [968782-1](#)
[GT17SA-8DS-HU](#) [98891-1012](#) [98947-1016](#) [12004147](#) [12004475-L](#) [12010290](#) [12010309-B](#) [12015454](#) [12020219-B](#) [12041318-B](#) [12052225-](#)
[L](#) [12052466](#) [12064869](#) [12004327-B](#) [12015308](#) [12015384](#) [12015909](#) [1-21030-1](#) [12041254](#) [12041318](#) [12047946-B](#) [12047957](#) [12047957-L](#)
[12059473](#) [12066261](#) [12110546](#) [12110546-B](#)