

| | | |
|-----------|---------|---------|
| ECN # | APPRVD. | DATE |
| 08-023523 | IEC | 26DEC08 |

SAFETY ORGANIZATIONS

THIS FILTER HAS BEEN FORMALLY RECOGNIZED, CERTIFIED OR APPROVED BY THE LISTED AGENCY. THEREFORE, ALL TEST/REQUIREMENTS SPECIFIED IN THE LATEST REVISION OF THE FOLLOWING AGENCY STANDARDS HAVE BEEN MET:

- UL RECOGNIZED: UL 498
- CSA CERTIFIED: CSA 22.2, # 42 (THROUGH UL)
- VDE APPROVED: EN 60320-1

OPERATING SPECIFICATIONS

LINE CURRENT/VOLTAGE: 15 AMP, 120/250 VAC,
10 AMP/40°C, 250 VAC

LINE FREQUENCY: 50-60Hz

MAXIMUM LEAKAGE CURRENT,
EACH LINE TO GROUND: 0.00 mA @ 120V 60Hz
0.00 mA @ 250V 50Hz

OPERATING AMBIENT TEMP. RANGE: -10°C TO +40°C @ RATED CURRENT, I_r.

IN AN AMBIENT, T_a, HIGHER THAN 40°C, THE MAXIMUM OPERATING CURRENT, I_o, IS AS FOLLOWS:

$$I_o = I_r \sqrt{\frac{85 - T_a}{45}}$$

RELIABILITY SPECIFICATIONS:

STORAGE TEMPERATURE: -40°C TO +85°C
HUMIDITY: 21 DAYS @ 40°C 95% RH.
CURRENT OVERLOAD TEST: 6 TIMES I_r FOR 8 SECONDS

TEST SPECIFICATIONS:

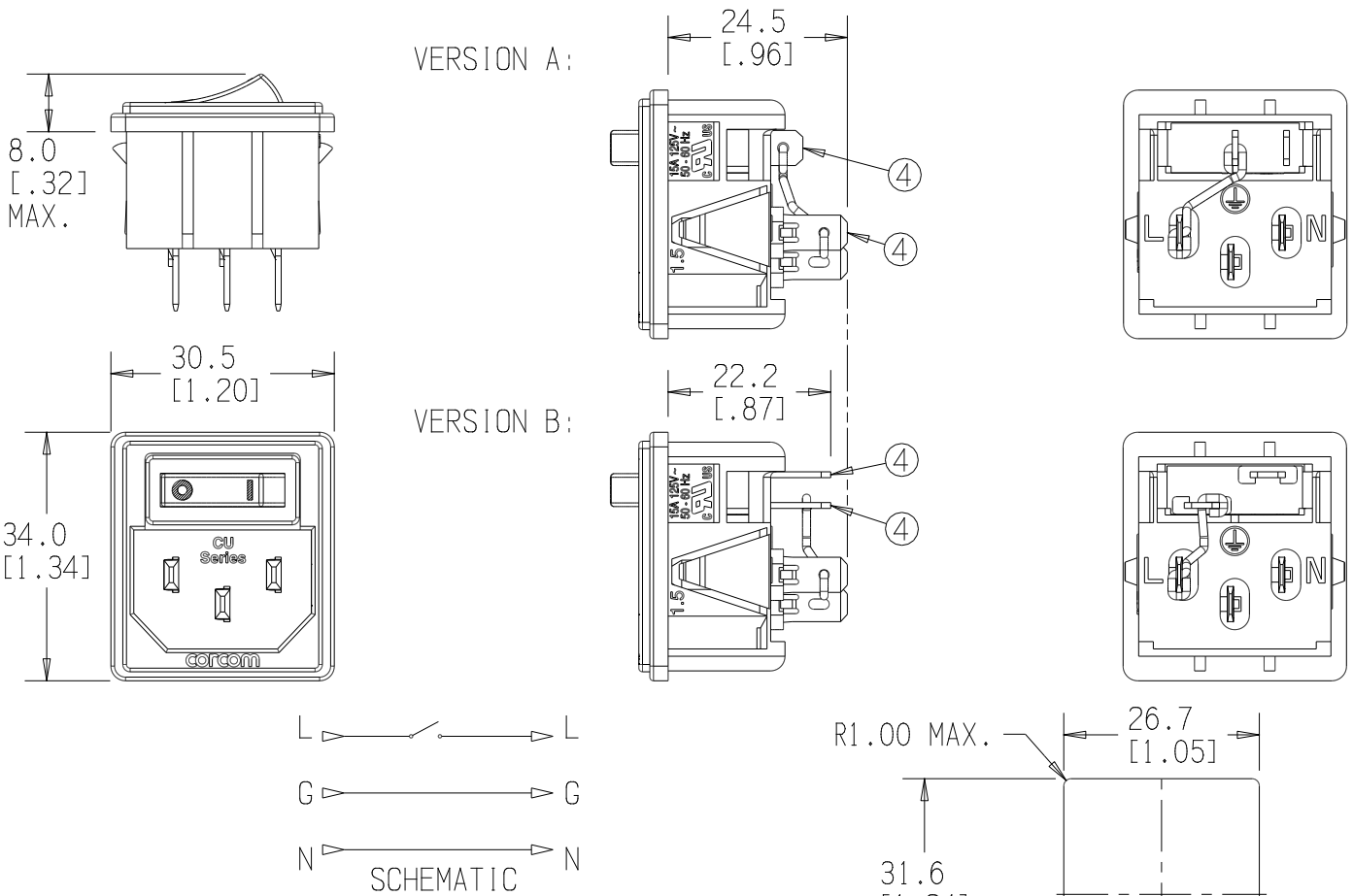
INDUCTANCE: 0.00 mH NOMINAL
CAPACITANCE: (MEASURED @ 1KHz, 0.250VAC MAX., 25°C±1°C)
LINE TO GROUND: 0.0000 μF ±20%
LINE TO LINE: 0.0000 μF ±20%
DISCHARGE RESISTOR: NONE
L/G AND L/L I.R.: NONE
NO DISCHARGE RESISTOR: 6000Ω (MIN.) @ 100VDC, 20°C AND 50% RH

RECOMMENDED RECEIVING INSPECTION HIPOT:

LINE TO GROUND: 1500 VAC FOR 1 MINUTE
LINE TO LINE: 1450 VDC FOR 1 MINUTE

FILTER APPROVAL:

THE BEST WAY TO SELECT AND QUALIFY A FILTER IS FOR YOUR ENGINEERING TO TEST THE UNIT IN YOUR EQUIPMENT.



NOTES:

1. PART NUMBER LABELED ON PACKAGE ONLY.
2. BOTH VERSIONS ARE ACCEPTABLE.
3. SOCKET COMPLIES WITH EN 60320-1.
- ④. LOAD AND SWITCH TERMINALS COMPLY WITH DIN 46244, 4.8MM X 0.8MM.

RECOMMENDED PANEL CUTOUT ±0.1 MM THICKNESS: 1.5 +0.0/-0.3 MM

50 Ω - 50 Ω (MINIMUM) INSERTION LOSS

| | | | | | | | | | | | |
|---------------|---|---|---|---|---|---|---|---|---|---|---|
| FREQUENCY MHz | / | / | / | / | / | / | / | / | / | / | / |
| COMMON dB | / | / | / | / | / | / | / | / | / | / | / |
| DIFF. dB | / | / | / | / | / | / | / | / | / | / | / |

PARTS SHALL COMPLY WITH TYCO ELECTRONICS 230-702 SPECIFICATION FOR HAZARDOUS SUBSTANCES

UNLESS OTHERWISE SPECIFIED TOLERANCE TO BE ±0.5 MM MATERIAL & FINISH: AS SUPPLIED

DIMENSIONS ARE: MILLIMETER (INCH)

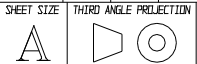


CORCOM PRODUCTS, 620 S. BUTTERFIELD RD., MUNDLEIN IL 60060

POWER LINE FILTER

TYCO ELECTRONICS PART NO. 61-1609112-9

| | | | |
|-------------|----------|-----------------|------|
| SCALE: / | DATE: / | DRAWING NUMBER: | REV. |
| DRW. BY: EC | DRGT: EC | 15CU15BS1 | 0 |



THIS INFORMATION IS CONFIDENTIAL AND PROPRIETARY TO TYCO ELECTRONICS CORPORATION AND ITS WORLDWIDE SUBSIDIARIES AND AFFILIATES. IT MAY NOT BE DISCLOSED TO ANYONE OTHER THAN TYCO ELECTRONICS PERSONNEL, WITHOUT WRITTEN AUTHORIZATION FROM TYCO ELECTRONICS CORPORATION. HARRISBURG, PENNSYLVANIA USA.

| | | |
|---------------|-----|----|
| CVM AVAILABLE | YES | NO |
| | X | |

X-ON Electronics

Largest Supplier of Electrical and Electronic Components

Click to view similar products for [AC Power Entry Modules](#) category:

Click to view products by [TE Connectivity](#) manufacturer:

Other Similar products are found below :

[0098.0050](#) [6167.0002](#) [6609100-2](#) [7-6609955-2](#) [FKI2-50-6/M5](#) [FN361-6-06](#) [FN389-4-22](#) [FN9226B-6-02](#) [FN9233S1-10-06](#) [FN9233S1-8-06](#)
[FN9233S1B-8-06](#) [FN9233S1R-1-06](#) [FN9233S1R-12-06](#) [FN9233SB-1-06](#) [FN9233SB-12-06](#) [FN9233SB-8-06](#) [FN9233SR-10-06](#) [FN9244B-15-06HI](#) [FN9244EB-3-06](#) [FN9244EB-8-06](#) [FN9244ER-15-06](#) [FN9244ER-8-06](#) [FN9244ES1-8-06](#) [FN9244ESB-8-06](#) [FN9244R-12-06](#)
[FN9244S1-12-06](#) [FN9244S1R-3-06](#) [FN9244SB-8-06](#) [FN9244SR-6-06](#) [FN9244U-3-06](#) [FN9244U-8-06](#) [8-6609940-2](#) [PE00SSSXB](#) [Fuse-H-EUR-1](#) [Fuse-H-USA-1](#) [PM00XD000](#) [A-0701-HT-H](#) [15EJMS8](#) [1-6609941-2](#) [200JM6-2](#) [CA121003-6](#) [SK-1015\(F1-5\)](#) [161-R3015-E](#) [1-6609153-2](#) [FN323-1-05](#) [FN9233B-8-06](#) [FN9233EB-1-06](#) [FN9233ES1R-10-06](#) [FN9233R-12-06](#) [FN9233S-10-06](#)