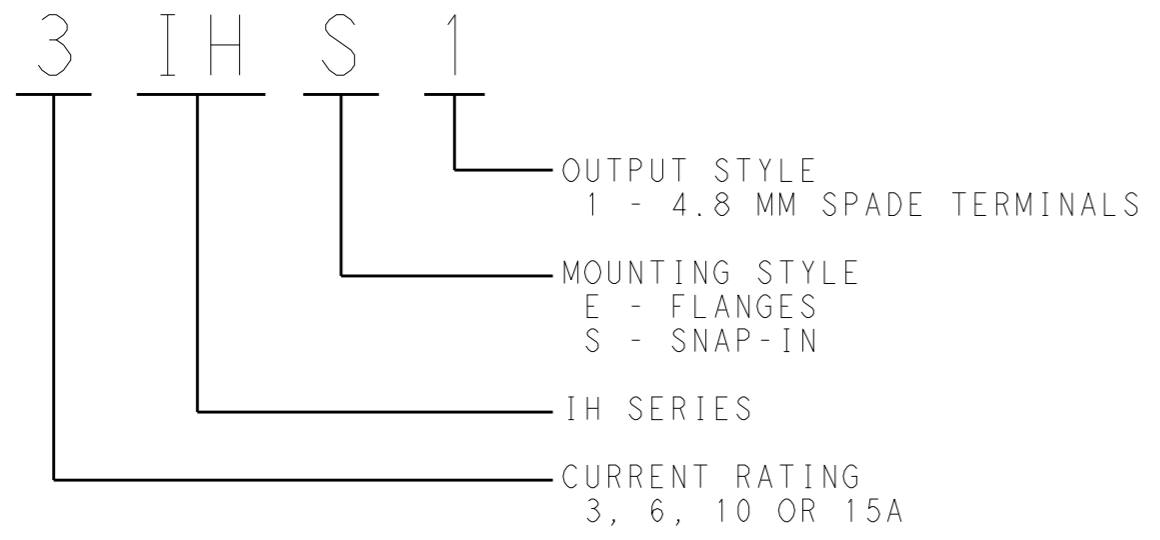
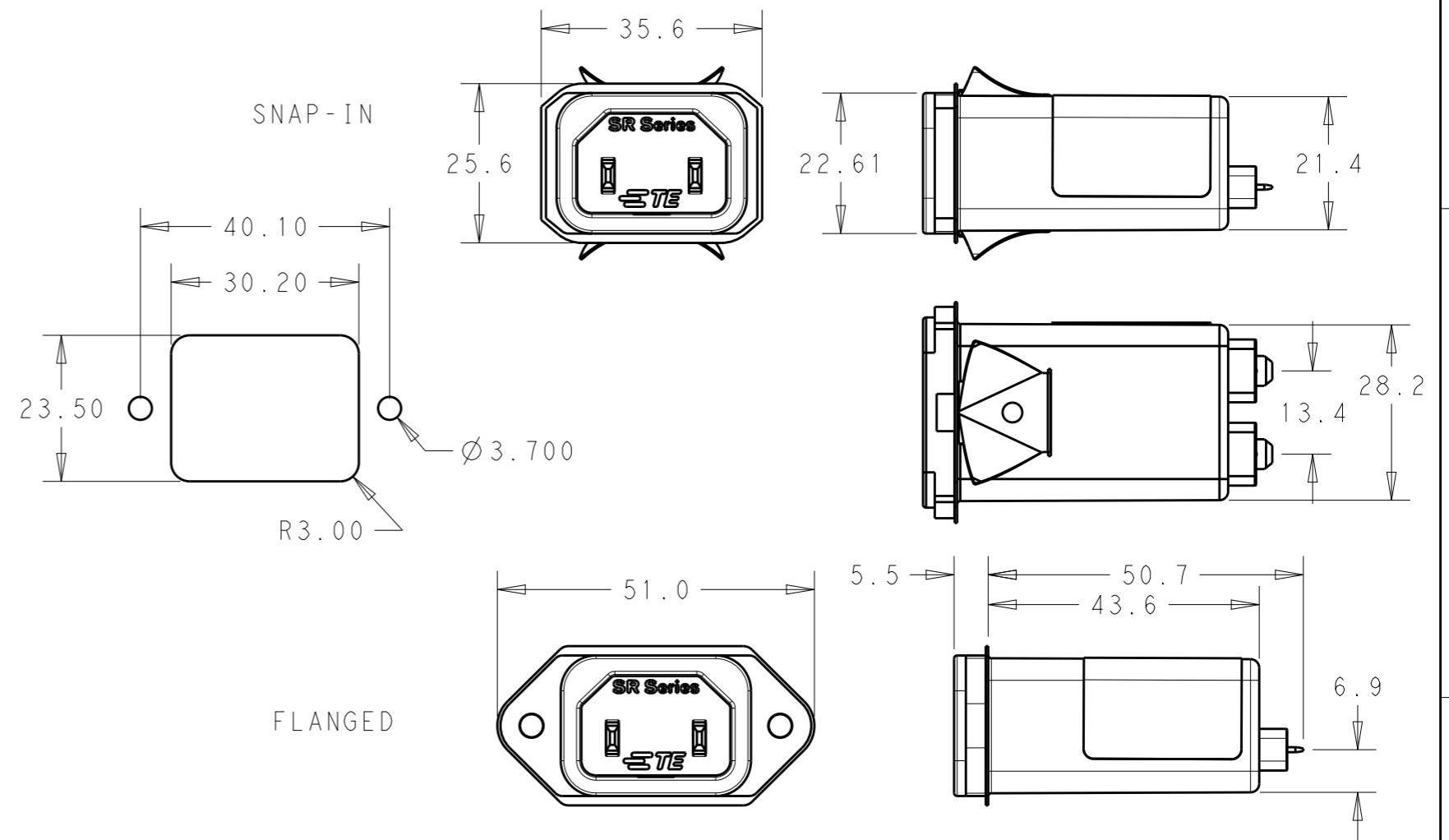
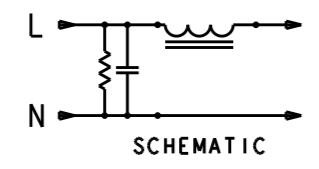


THIS DRAWING IS UNPUBLISHED. RELEASED FOR PUBLICATION 20
 © COPYRIGHT 20 BY - ALL RIGHTS RESERVED.

REVISIONS				
P	LTR	DESCRIPTION	DATE	APVD
A		ECO-16-018584	07JAN17	EC

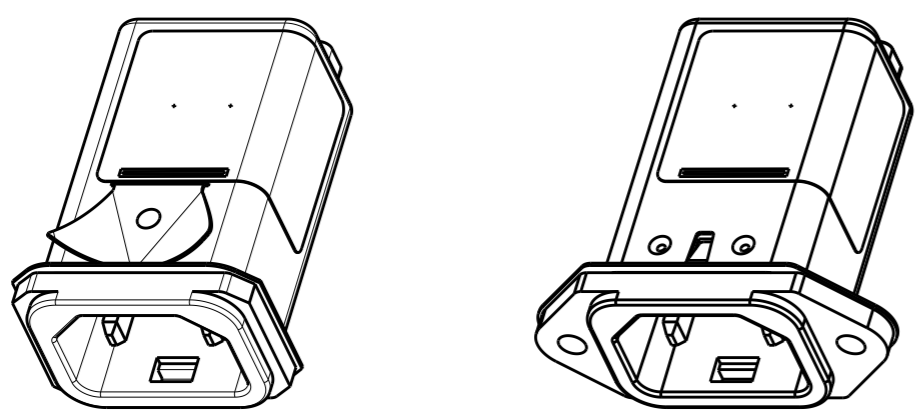
50 OHM - 50 OHM INSERTION LOSS (dB)										
MHz	COMMON MODE				DIFFERENTIAL MODE					
	ALL		3A		6A		10A		15A	
	TYP.	MIN.	TYP.	MIN.	TYP.	MIN.	TYP.	MIN.	TYP.	MIN.
0.15	0	0	13	12	13	12	12	11	12	11
0.3	0	0	22	20	19	17	18	16	18	16
0.5	0	0	29	26	26	23	23	21	23	20
1	0	0	37	34	34	31	31	28	30	27
3	0	0	55	50	48	45	48	43	46	41
5	0	0	58	52	57	51	58	52	58	52
10	0	0	47	42	62	37	45	40	43	38
30	0	0	37	31	44	38	37	31	37	31



HIPOT RATING (ONE MINUTE)	MAX LEAKAGE CURRENT
LINE TO GROUND: 4000 VAC	2µA @ 120V 60Hz
LINE TO LINE: 1500 VDC	5µA @ 250V 60Hz
OPERATING FREQUENCY: 50-60 Hz	HUMIDITY: 21 DAYS, 40°C @ 95%RH
RATED VOLTAGE: 120/250 VAC	CURRENT OVERLOAD: 6X RATED FOR 8 SEC
OPERATING AMBIENT TEMP: -10°C TO 40°C	TERMINALS: 4.8 X 0.8 SPADE
STORAGE TEMPERATURE: -40°C TO 85°C	SAFETY AGENCIES PENDING: UL RECOGNIZED, CSA CERTIFIED, VDE APPROVED.
COMPATIBLE WITH V-LOCK PLUG.	STANDARD: IEC/EN 60601-1 Class II

IN AN AMBIENT, T_o , HIGHER THAN 40°C, THE MAXIMUM OPERATING CURRENT, I_o , IS:
 $I_o = I_r * \text{SQRT}((105 - T_o) / 65)$

THE BEST WAY TO SELECT AND QUALIFY A FILTER IS FOR YOUR ENGINEERING TO TEST THE UNIT IN YOUR EQUIPMENT.



THIS DRAWING IS A CONTROLLED DOCUMENT.		DWN EC CHK	TE Connectivity	
DIMENSIONS: mm	TOLERANCES UNLESS OTHERWISE SPECIFIED:	APVD EC	08JAN17	NAME IH SERIES MEDICAL INLET
	0 PLC ±- 1 PLC ±1.0 2 PLC ±0.40 3 PLC ±0.200 4 PLC ±0.1000 ANGLES ±-	PRODUCT SPEC	-	APPLICATION SPEC
MATERIAL	FINISH	WEIGHT	-	SIZE A3
CUSTOMER DRAWING		SCALE 1:1		CAGE CODE 05245
		DRAWING NO P-1609003-0		RESTRICTED TO
		SHEET 1 OF 1		REV A

X-ON Electronics

Largest Supplier of Electrical and Electronic Components

Click to view similar products for [AC Power Entry Modules](#) category:

Click to view products by [TE Connectivity](#) manufacturer:

Other Similar products are found below :

[0098.0050](#) [6167.0002](#) [6609100-2](#) [7-6609955-2](#) [FKI2-50-6/M5](#) [FN361-6-06](#) [FN389-4-22](#) [FN9226B-6-02](#) [FN9233S1-10-06](#) [FN9233S1-8-06](#)
[FN9233S1B-8-06](#) [FN9233S1R-1-06](#) [FN9233S1R-12-06](#) [FN9233SB-1-06](#) [FN9233SB-12-06](#) [FN9233SB-8-06](#) [FN9233SR-10-06](#) [FN9244B-15-06HI](#) [FN9244EB-3-06](#) [FN9244EB-8-06](#) [FN9244ER-15-06](#) [FN9244ER-8-06](#) [FN9244ES1-8-06](#) [FN9244ESB-8-06](#) [FN9244R-12-06](#)
[FN9244S1-12-06](#) [FN9244S1R-3-06](#) [FN9244SB-8-06](#) [FN9244SR-6-06](#) [FN9244U-3-06](#) [FN9244U-8-06](#) [8-6609940-2](#) [PE00SSSXB](#) [Fuse-H-EUR-1](#) [Fuse-H-USA-1](#) [PM00XD000](#) [A-0701-HT-H](#) [15EJMS8](#) [1-6609941-2](#) [200JM6-2](#) [CA121003-6](#) [SK-1015\(F1-5\)](#) [161-R3015-E](#) [1-6609153-2](#) [FN323-1-05](#) [FN9233B-8-06](#) [FN9233EB-1-06](#) [FN9233ES1R-10-06](#) [FN9233R-12-06](#) [FN9233S-10-06](#)