

4

3

2

1

THIS DRAWING IS UNPUBLISHED.

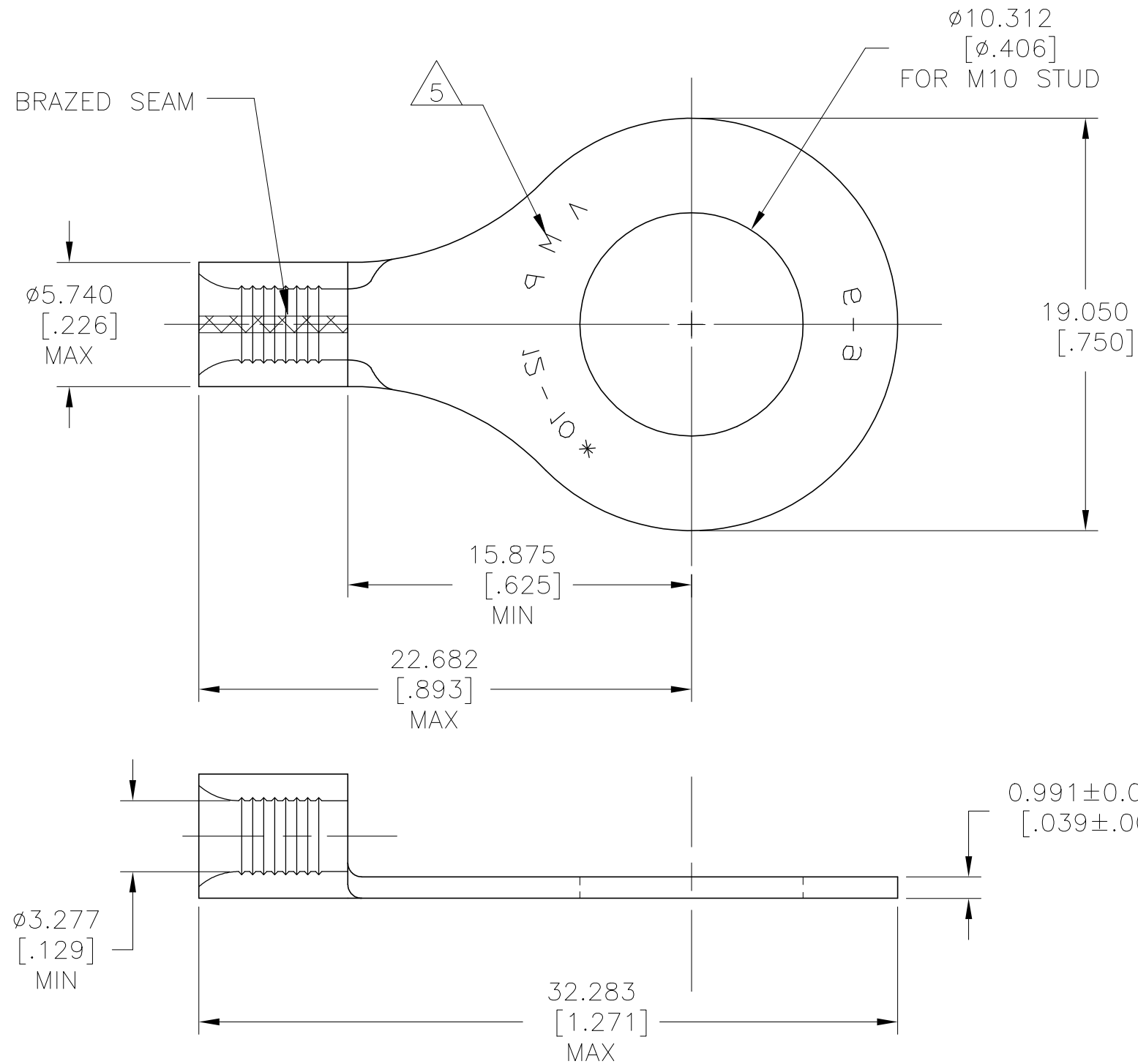
RELEASED FOR PUBLICATION

© COPYRIGHT - TE Connectivity Ltd.

ALL RIGHTS RESERVED.

REVISIONS

P	LTR	DESCRIPTION	DATE	DWN	APVD
	A	DRAWN	22MAR06	JR	TM
	A1	REVISED PER ECO-19-011565	10AUG2019	RS	DR



**AMP**  
WIRE RANGE

12-10 AWG  
SOLID OR STRANDED

E13288  
Listed

12-10 AWG  
SOLID OR STRANDED

- 1 NOTE DELETED
- 2 COPPER PER ASTM B-152, ANNEALED
- 3 TIN PLATED PER ASTM B-545, 0.00254 [ $.000100$ ] MIN THK.
- 4 NOTE DELETED
- 5 STAMP AS SHOWN

500	LOOSE PIECE	160038
QTY	PACKAGE TYPE	PART NO

AMP INCORPORATED  
CUSTOMER SERVICE SYSTEMS

THIS DRAWING IS A CONTROLLED DOCUMENT.

DWN jr\_ruth 22MAR06  
CHK T MICHIELUTTI 22MAR06  
APVD T MICHIELUTTI 22MAR06

**TE** TE Connectivity

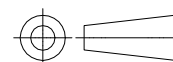
FOR ADDITIONAL  
PRODUCT INFORMATION OR  
COPIES OF DRAWINGS  
AND TECHNICAL DOCUMENTS

PRODUCT INFORMATION CENTER  
1-800-522-6752

MAX RECOMMENDED OPERATING  
TEMPERATURE:  
170°C [338°F]

DIMENSIONS:  
mm [INCHES]

TOLERANCES UNLESS  
OTHERWISE SPECIFIED:



0 PLC ± -  
1 PLC ± -  
2 PLC ± -  
3 PLC ± 0.127[.005]  
4 PLC ± -  
ANGLES ± -

PRODUCT SPEC  
UL486 A-B

APPLICATION SPEC

WEIGHT -

NAME  
WIRE TERMINAL,  
SOLISTRAND, RING TONGUE,  
WIRE SIZE 12-10, AWG

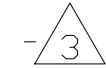
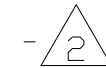
FOR APPLICATION  
TOOLING INFORMATION

TOOLING ASSISTANCE CENTER  
1-800-722-1111

VOLTAGE RATING:  
N/A

MATERIAL

FINISH



CUSTOMER DRAWING

SIZE	CAGE CODE	DRAWING NO	RESTRICTED TO
A3	-	C-160038	-

FOR ORDER ENTRY  
1-800-526-5142

WIRE CROSS SECTIONAL AREA RANGE,  
2.62-6.64mm<sup>2</sup>[5,180-13,100]  
SOLID OR STRANDED

SCALE 4:1 SHEET 1 OF 1 REV A1

## X-ON Electronics

Largest Supplier of Electrical and Electronic Components

*Click to view similar products for [Terminals](#) category:*

*Click to view products by [TE Connectivity](#) manufacturer:*

Other Similar products are found below :

[00-054007-01074-6](#) [00-054007-70206-1](#) [00-054007-70210-8](#) [00-054007-70217-7](#) [00-054007-70226-9](#) [00-054007-70228-3](#) [00-054007-70248-1](#) [00-054007-70256-6](#) [00-054007-70301-3](#) [00-054007-70316-7](#) [0-0320562-0](#) [00-054007-49560-4](#) [00-054007-70209-2](#) [00-054007-70225-2](#) [00-054007-70227-6](#) [00-054007-70231-3](#) [00-054007-70241-2](#) [00-054007-70242-9](#) [00-054007-70244-3](#) [00-054007-70246-7](#) [00-054007-70263-4](#) [00-054007-70288-7](#) [00-054007-70290-0](#) [00-054007-70300-6](#) [00-054007-70304-4](#) [01-2065-1-0216](#) [01-2900-1-04412](#) [00581P0075](#) [600TS-10](#) [60205-1](#) [604200-1](#) [605601-1](#) [60598-1-CUT-TAPE](#) [61314-6-C](#) [61810-3](#) [61-S](#) [61-SN](#) [626-0194](#) [62-NBM-A](#) [62-SN](#) [62-SP](#) [63-S](#) [640179-1](#) [M55155/059I03](#) [M55155/079C01](#) [M55155/099H02](#) [M55155/109H01](#) [M55155/109H02](#) [M55155/12XH05](#) [M55155/16XH02](#)