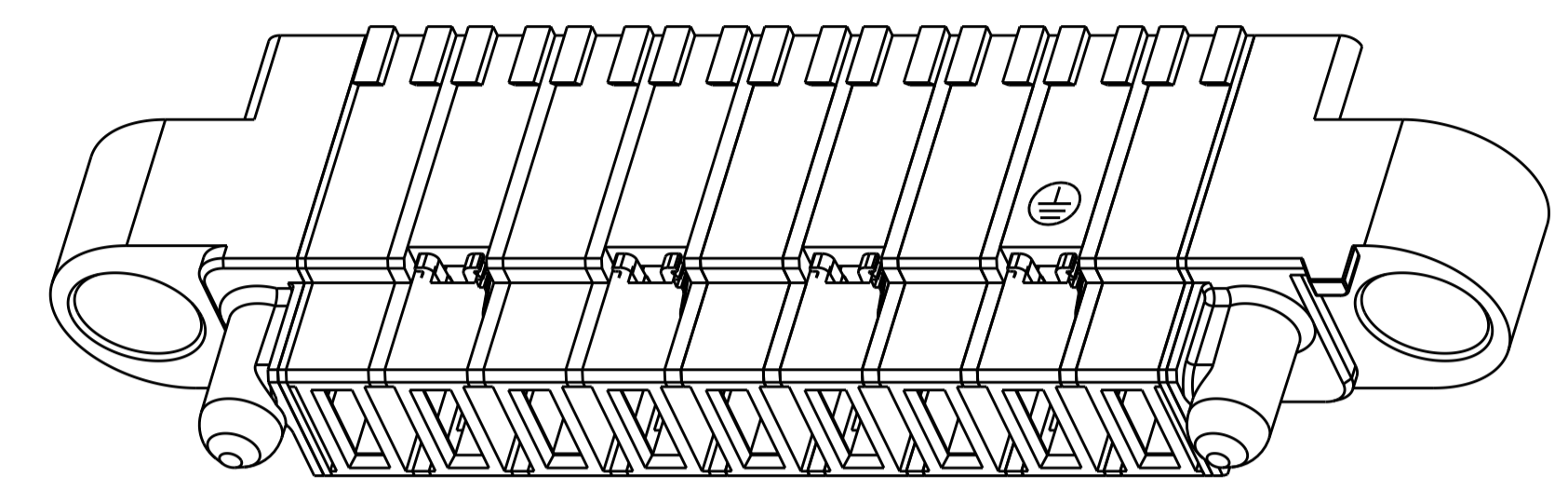
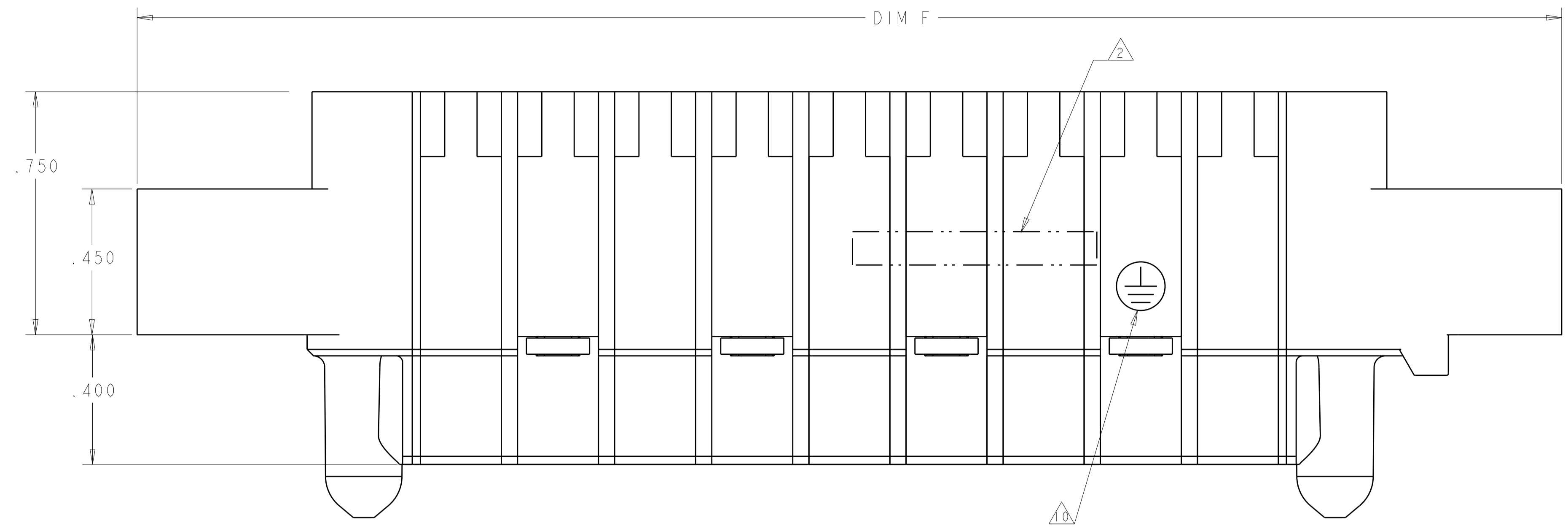
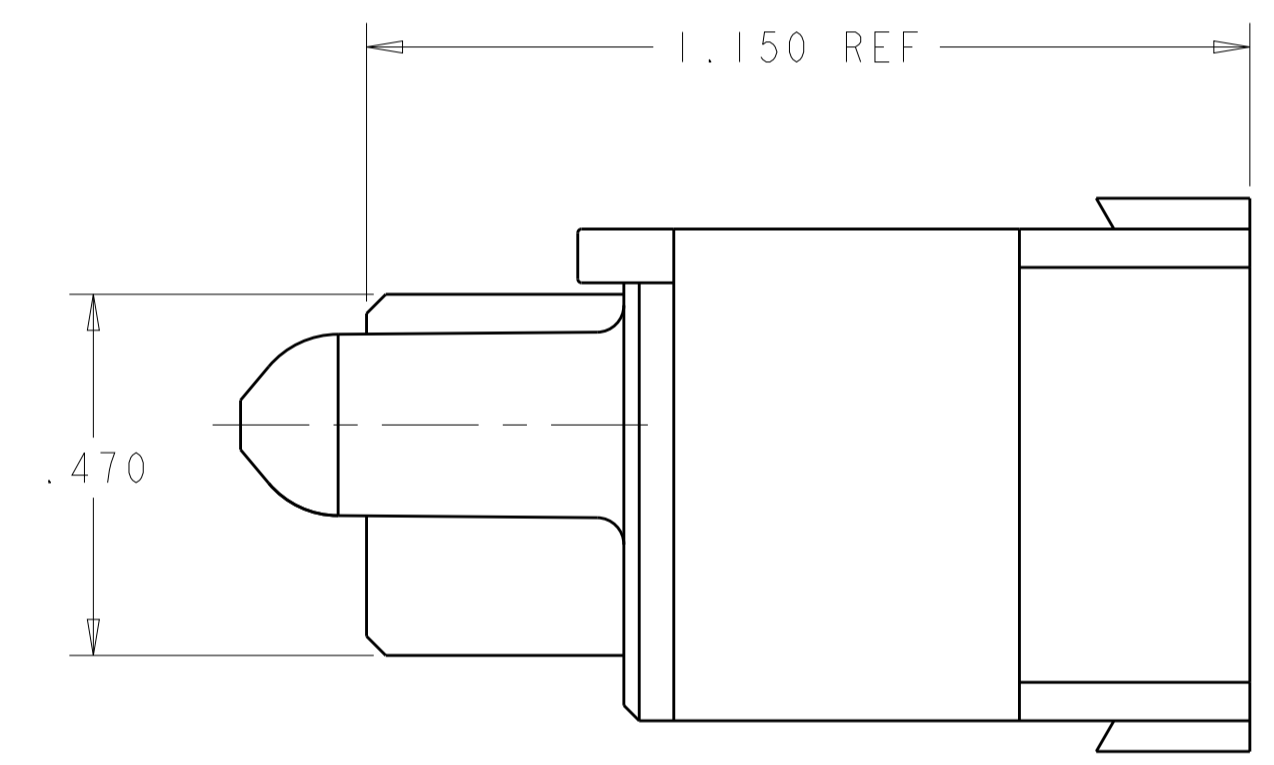
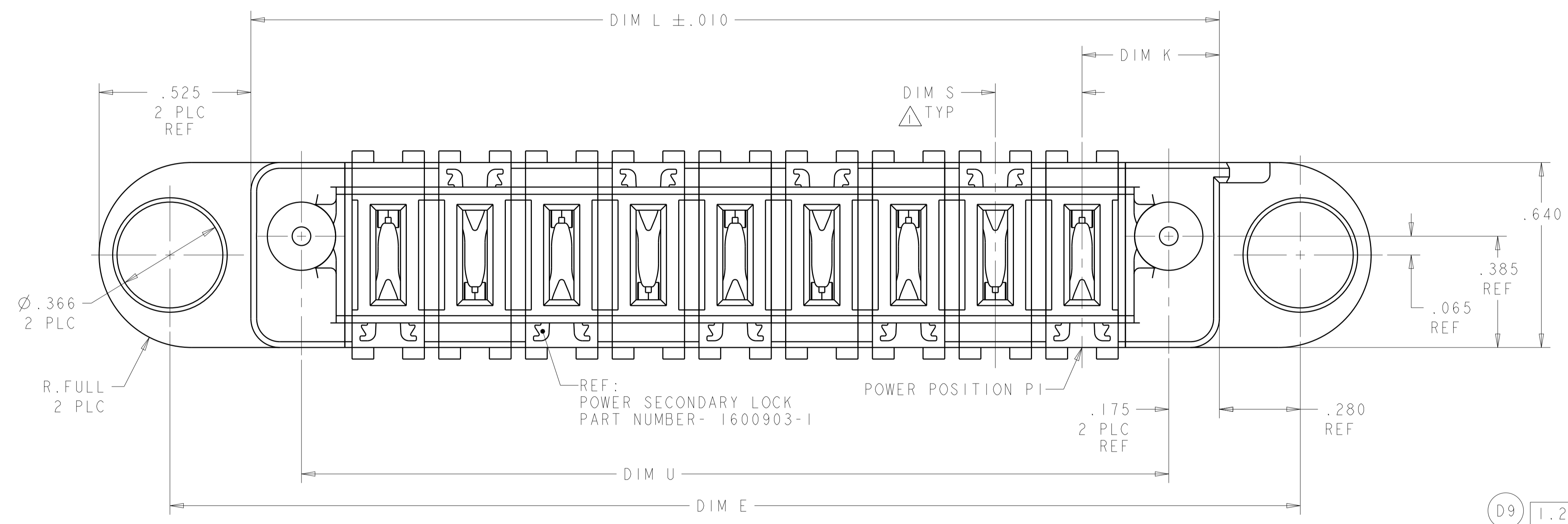


LOC	DIST	REVISIONS					
		P	LTN	DESCRIPTION	DATE	DWN	APVD
ES	00						
		D6		REV PER ECR-12-018227	24OCT2012	CZ	SZ
		D8		ADDED NEW DASH NUMBER 1-2	30MAY2016	CZ	SZ
		D9		ADDED NEW DASH NUMBER 1-3	12AUG2016	CZ	SZ



SCALE 2:1



- 1 DIM S IS CENTERLINE SPACING OF POWER MODULES.
- 2 COMPANY TRADEMARK, PART NUMBER, AND DATE CODE TO BE MARKED IN AREA SHOWN PARTS UNDER 2.00 LONG MAY BE MARKED ON BOTH SIDES.
- 3. MATERIAL: THERMO PLASTIC, UL94 V-0.BLACK.
- 4 DATUM LOCATIONS AND BASIC DIMENSIONS TO BE ESTABLISHED BY THE CUSTOMER.
- 5 BULKHEAD THICKNESS RANGE: .031 - .100.
- 6 CONNECTOR MATED TO PANEL FROM OPPOSITE SIDE.
- 7 NO BURRS ALLOWED ON OPPOSITE (MATING) SIDE.
- 8 CONNECTOR KEEP OUT ZONE.
- 9 MOUNT CONNECTOR WITH TYCO HARDWARE KIT P/N 1600914-1 FOR .050 (1.27mm) MIN RADIAL FLOAT.
- 10 LOCATION OF GROUND SYMBOL ON MFBL CAVITY, FOR 1600606-2 ONLY.
- 11 THE SPECIAL BULKHEAD LAYOUT IS ONLY FOR PN:1600606-2 WITH RESTRICT FLOATING.

D9	DIM U	DIM S	DIM L	DIM K	DIM E	DIM F	DESCRIPTION	PART NUMBER
	1.200	.300	1.550	.475	2.110	2.600	3ACP	1-1600606-3
	.800	.250	1.150	.450	1.710	2.200	2P	1-1600606-2
	1.800	.300	2.150	.475	2.710	3.200	5ACP	1-1600606-1
	2.050	.250	2.400	.450	2.960	3.450	7P	1-1600606-0
	1.725	.375	2.075	.475	2.635	3.125	4P	1600606-9
	2.050	.300	2.400	.450	2.960	3.450	6ACP	1600606-8
	2.100	.300	2.450	.475	3.010	3.500	6ACP	1600606-7
	2.825	.425	3.175	.525	3.735	4.225	6ACP	1600606-6
	2.500	.300	2.850	.525	3.410	3.900	7ACP	1600606-5
	1.900	.300	2.250	.525	2.810	3.300	5ACP	1600606-4
	3.000	.300	3.350	.475	3.910	4.400	9ACP	1600606-3
	1.200	.300	1.550	.475	2.110	2.600	3ACP	1600606-2
	1.550	.250	1.900	.450	2.460	2.950	5P	1600606-1

THIS DRAWING IS A CONTROLLED DOCUMENT. DWN: R. GRZYBOWSKI 23JUL2003
CHK: M. CORRELL 23JUL2003

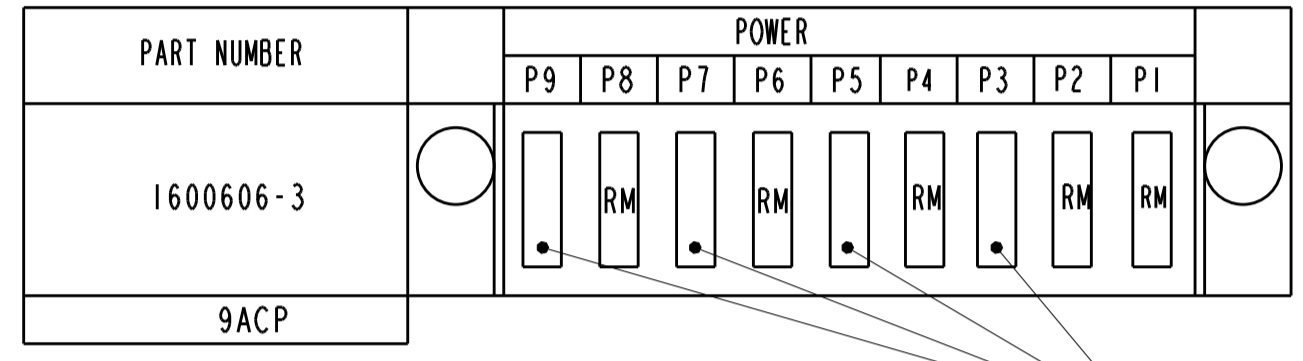
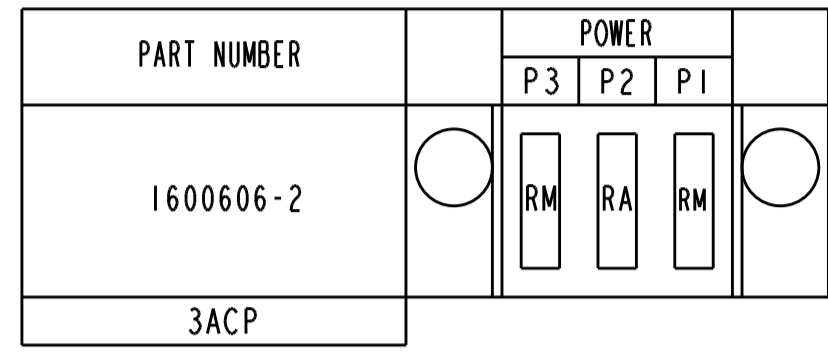
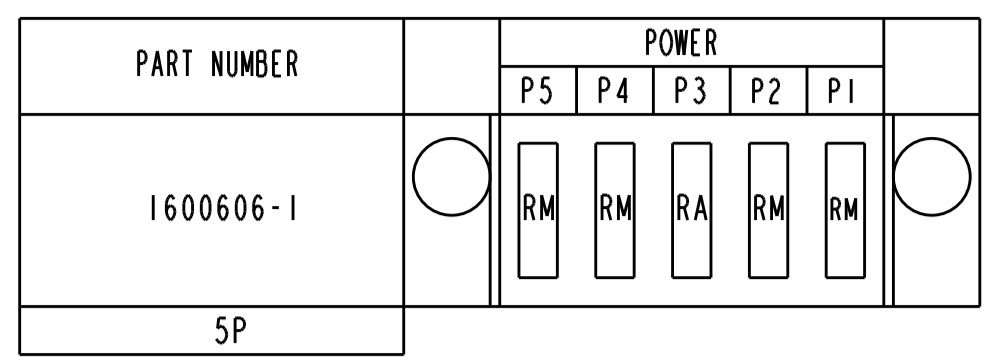
TE Connectivity

PANEL MOUNT CABLE RECEPTACLE HOUSING, WITH GUIDES, MULTI-BEAM XL, ALL POWER

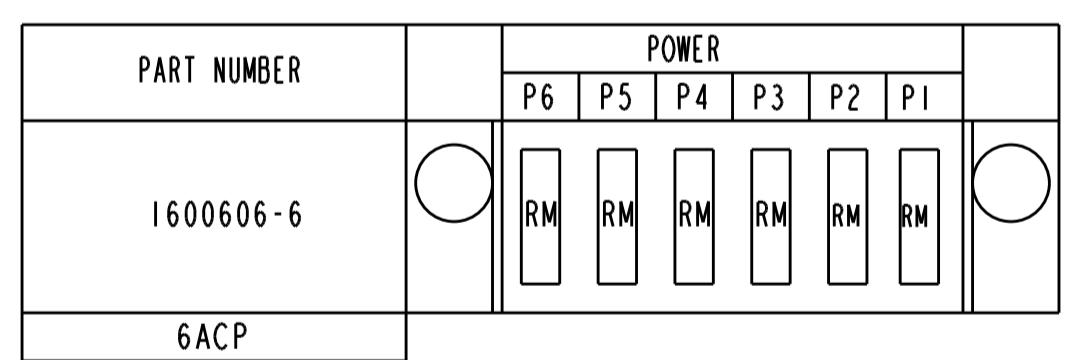
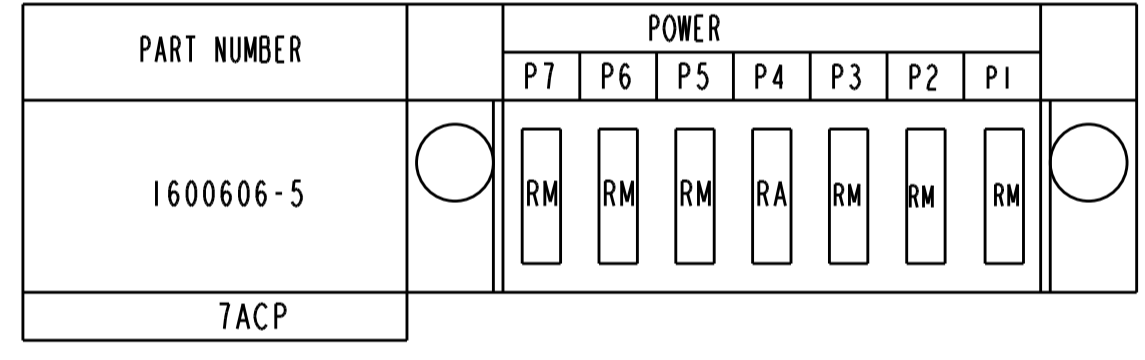
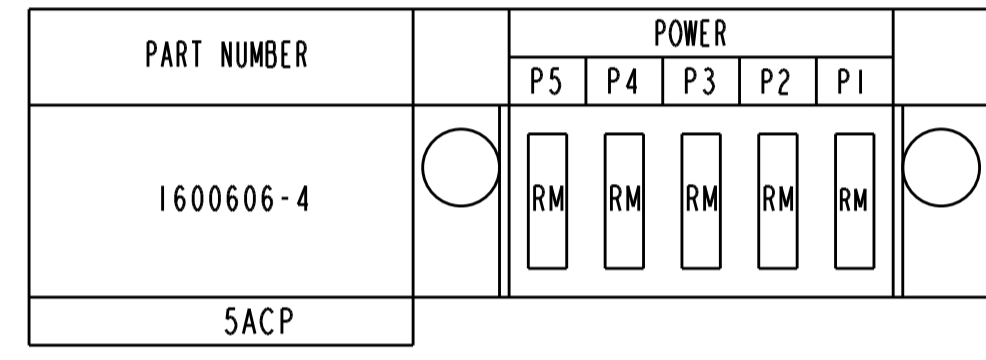
SIZE: A100779 CAGE CODE: 1600606

SCALE: 4:1 SHEET: 1 OF 3 REV: D9

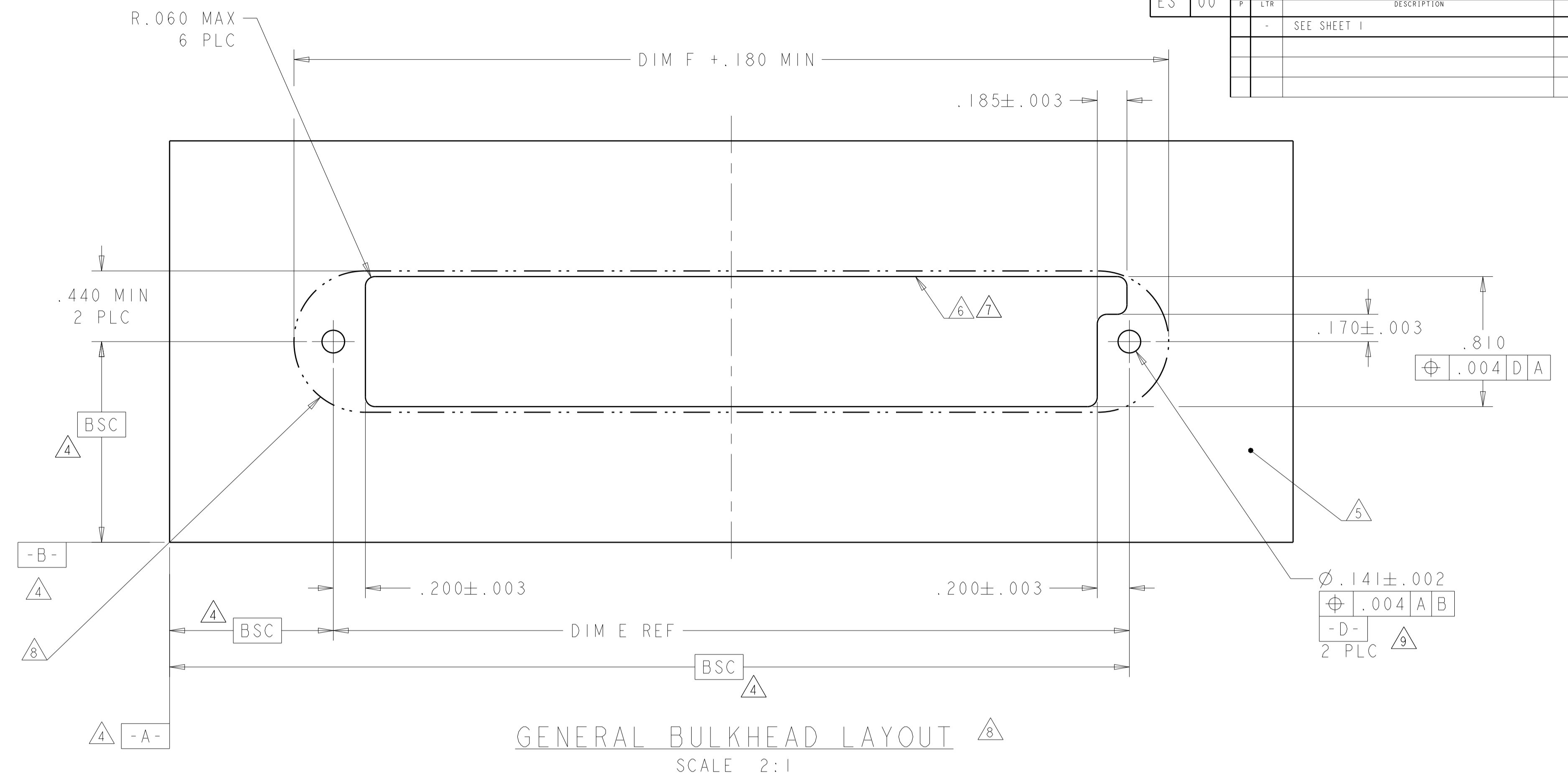
LOC	DIST	REV	DATE	BY	CHK	APPV
ES	00					



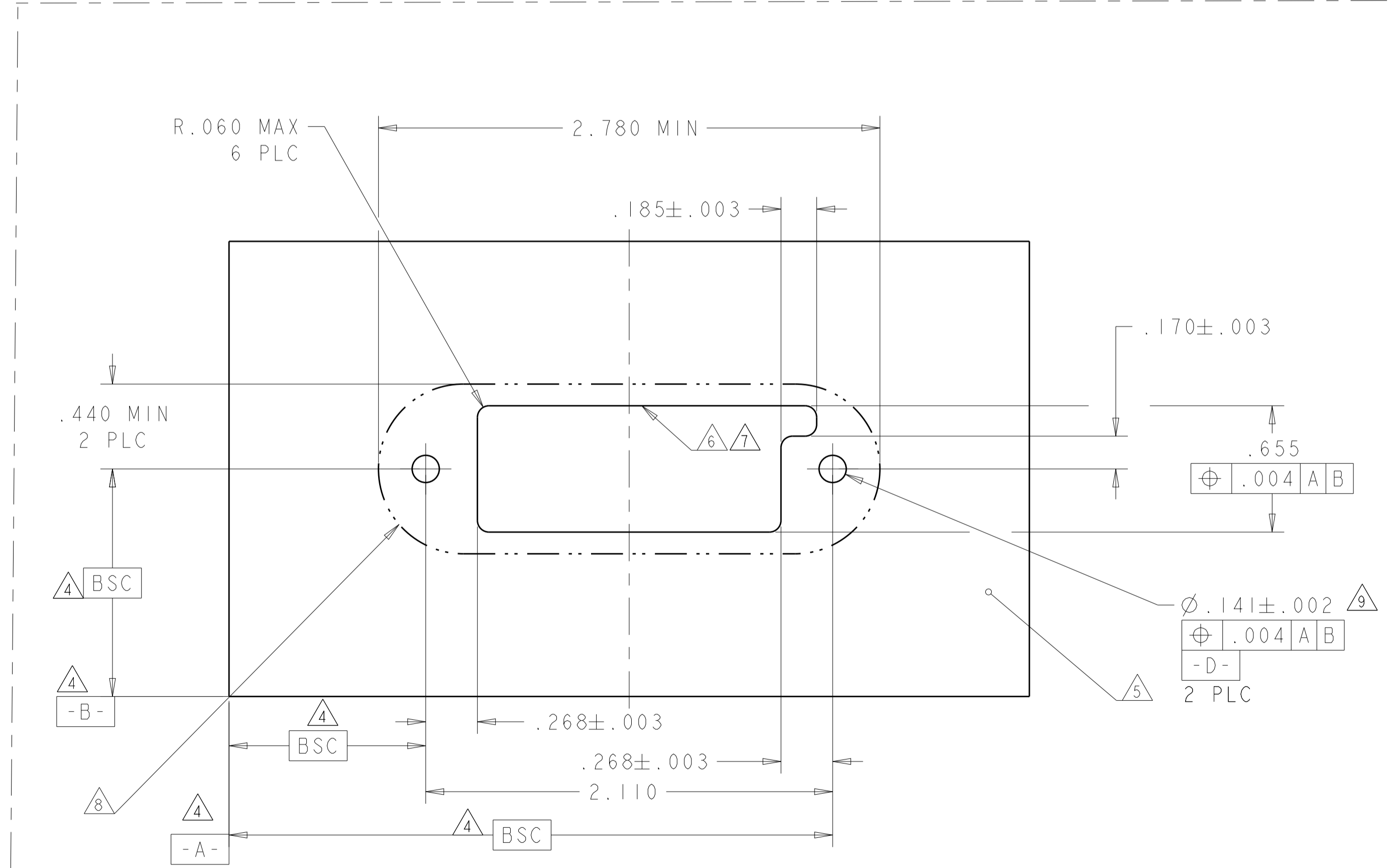
NO CONTACTS LOADED



REFERENCE WIRE CHART AND CONTACTS		
HOUSING MODULE	CONTACT	INSULATION DIAMETER RANGE
.300 POWER	8-10 1600960 REF	[.176-.272]
.250 POWER	8-10 1600960 REF	[.176-.203]
	12-14 1600961 REF	[.156-.176]
.200 POWER	12-14 1600961 REF	[.120-.156]
.100 SIGNAL	22 - 26 531216-5 REF	[.036 - .069]



GENERAL BULKHEAD LAYOUT SCALE 2:1



P/N: 1600606-2 SPECIAL BULKHEAD LAYOUT
FOR P/N:1600606-2 RESTRICT A ,B FLOATING ONLY
SCALE 2:1

RM	STANDARD POWER CONTACT
RA	MFBL POWER CONTACT
CODE	DESCRIPTION
	CONTACT TABLE

THIS DRAWING IS A CONTROLLED DOCUMENT.		OWN: R. GRZYBOWSKI 23JUL2003	CHK: M. CORRELL 23JUL2003	APVD: -
DIMENSIONS: INCHES	TOLERANCES UNLESS OTHERWISE SPECIFIED:	PRODUCT SPEC: 108-2157	APPLICATION SPEC: 114-13112	WEIGHT: -
0 PLC ±.01	1 PLC ±.01	2 PLC ±.01	3 PLC ±.005	4 PLC ±.002
ANGLES ±.020	FINISH: -	MATERIAL: -	CAGE CODE: -	DRAWING NO: 1600606
CUSTOMER DRAWING		SCALE: 4:1	SHEET: 2 OF 3	REV: D9

LOC	DIST	REVISIONS					
		P	LTN	DESCRIPTION	DATE	DMN	APVD
ES	00	-	-	SEE SHEET 1	-	-	-

D

PART NUMBER	POWER					
	P6	P5	P4	P3	P2	P1
1600606-7	RM	RM	RM	RM	RM	RM
6ACP						

PART NUMBER	POWER					
	P6	P5	P4	P3	P2	P1
1600606-8	RM	RM	RM	RM	RM	RM
6ACP						

PART NUMBER	POWER			
	P4	P3	P2	P1
1600606-9	RA	RM	RM	RM
4P				


PART NUMBER	POWER						
	P7	P6	P5	P4	P3	P2	P1
1-1600606-0	RM		RM		RM		RA
7P							

PART NUMBER	POWER				
	P5	P4	P3	P2	P1
1-1600606-1	RM	RM	RM	RM	RM
5ACP					

PART NUMBER	POWER	
	P2	P1
1-1600606-2	RM	RA
2P		

PART NUMBER	POWER		
	P3	P2	P1
1-1600606-3	RA	RM	RM
3ACP			

D9

THIS DRAWING IS A CONTROLLED DOCUMENT.		DMN: R.GRZYBOWSKI 23JUL2003	
		CHK: M.CORRELL 23JUL2003	
DIMENSIONS:	TOLERANCES UNLESS OTHERWISE SPECIFIED:	APVD:	NAME:
INCHES	0 PLC ±.010 1 PLC ±.010 2 PLC ±.010 3 PLC ±.005 4 PLC ±.0020 ANGLES ±.2°	PRODUCT SPEC: 108-2157	PANEL MOUNT CABLE RECEPTACLE HOUSING, WITH GUIDES, MULTI-BEAM XL, ALL POWER
MATERIAL:	FINISH:	APPLICATION SPEC: 114-13112	RESTRICTED TO:
		WEIGHT:	A100779C=1600606
		CUSTOMER DRAWING	SCALE: 4:1 SHEET 3 OF 3 REV: D9

X-ON Electronics

Largest Supplier of Electrical and Electronic Components

Click to view similar products for [Power to the Board](#) category:

Click to view products by [TE Connectivity](#) manufacturer:

Other Similar products are found below :

[6450171-4](#) [6450552-7](#) [6600323-8](#) [6643429-1](#) [6646040-2](#) [6651939-1](#) [6766604-1](#) [120959-1](#) [1393557-2](#) [1393532-2](#) [1393532-3](#) [1393532-4](#)
[1393557-1](#) [1600812-5](#) [1-6450861-2](#) [1744132-7](#) [1761122-1](#) [1766250-1](#) [1892109-1](#) [2-6450860-5](#) [2-6450870-0](#) [1-6450161-4](#) [1-6450850-6](#) [1-](#)
[6450869-6](#) [1645526-2](#) [1-6600130-0](#) [2005243-2](#) [377-0020-11130](#) [TE34-12-16P-F0](#) [51700-10201602AALF](#) [5-6450830-6](#) [5646956-4](#) [377-](#)
[0080-11131A](#) [4-6450830-9](#) [4-6600333-3](#) [10125416-4050LF](#) [10130248-005LF](#) [6600320-3](#) [3-6450860-5](#) [1888123-2](#) [6450166-1](#) [6643978-1](#)
[6766605-1](#) [701-15-02109](#) [N11444](#) [6651938-1](#) [6450810-7](#) [46437-1112](#) [1-1589677-8](#) [5646956-5](#)