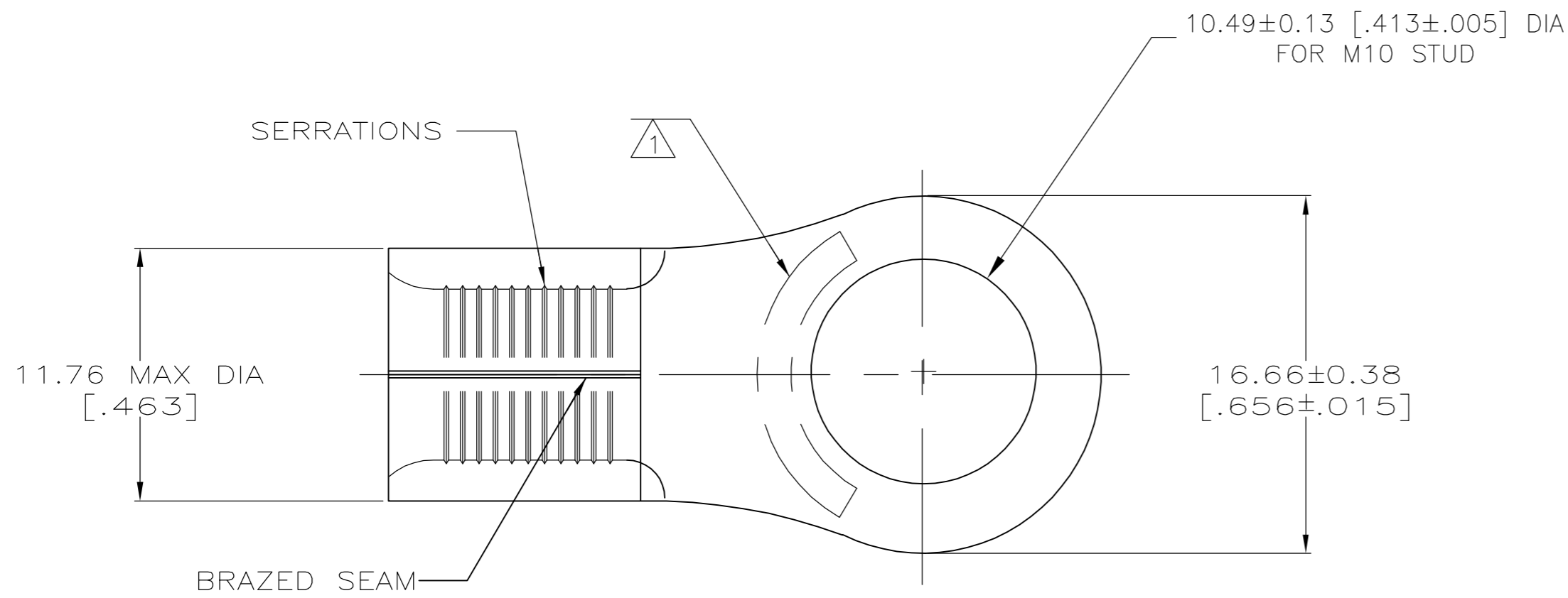
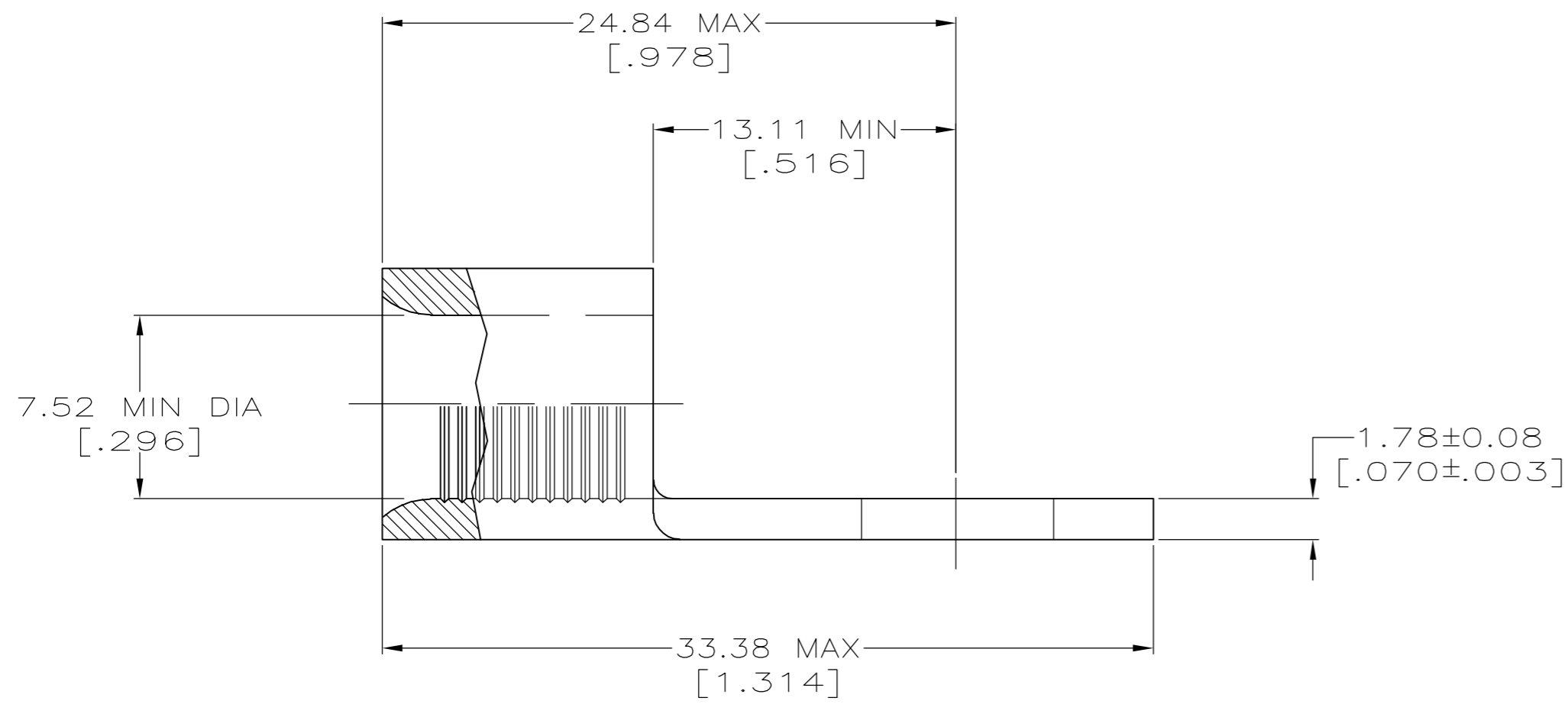


THIS DRAWING IS UNPUBLISHED. RELEASED FOR PUBLICATION
 © COPYRIGHT BY TYCO ELECTRONICS CORPORATION. ALL RIGHTS RESERVED.

LOC	DIST	REVISIONS					
		P	LTR	DESCRIPTION	DATE	DWN	APVD
G	14		C	REV PER ECR 06-005021	01MAR06	JR	TM



- STAMP AMP 4* APPROX AS SHOWN
- 2 MAX RECOMMENDED OPERATING TEMP IS 170°C MAX
- 3 VOLTAGE RATING, NOT APPLICABLE
- 4 WIRE CROSS SECTION AREA:
16.8-26.7mm² [33,100-52,600] CIR MIL
SOLID OR STRANDED
- 5 COPPER PER ASTM B-152, ANNEALED
- 6 TIN PLATE 0.00254 [.000100] MIN PER ASTM B545



100	LOOSE PIECE	160075
QTY	PACKAGING TYPE	PART NO.

THIS DRAWING IS A CONTROLLED DOCUMENT.		DWN	JR RUTH	01MAR06	 Tyco Electronics Corporation Harrisburg, PA 17105-3608			
DIMENSIONS: INCHES		CHK	T MICHIELUTTI	01MAR06				
TOLERANCES UNLESS OTHERWISE SPECIFIED:		APVD	T MICHIELUTTI	01MAR06				
0 PLC ± - 1 PLC ± - 2 PLC ± - 3 PLC ± 0.20[.008] 4 PLC ± - ANGLES ± - FINISH		PRODUCT SPEC	NAME			TERMINAL, RING TONGUE, SOLISTRAND		
MATERIAL		APPLICATION SPEC	-		SIZE	CAGE CODE	DRAWING NO	RESTRICTED TO
-5		WEIGHT	-		A2	00779	C=160075	-
-6		CUSTOMER DRAWING		SCALE	4:1	SHEET	1 of 1	REV
								C

X-ON Electronics

Largest Supplier of Electrical and Electronic Components

Click to view similar products for [Terminals](#) category:

Click to view products by [TE Connectivity](#) manufacturer:

Other Similar products are found below :

[00-054007-01074-6](#) [00-054007-70206-1](#) [00-054007-70210-8](#) [00-054007-70217-7](#) [00-054007-70226-9](#) [00-054007-70228-3](#) [00-054007-70248-1](#) [00-054007-70256-6](#) [00-054007-70301-3](#) [00-054007-70316-7](#) [00-054007-49560-4](#) [00-054007-70209-2](#) [00-054007-70225-2](#) [00-054007-70227-6](#) [00-054007-70231-3](#) [00-054007-70241-2](#) [00-054007-70242-9](#) [00-054007-70244-3](#) [00-054007-70246-7](#) [00-054007-70263-4](#) [00-054007-70288-7](#) [00-054007-70290-0](#) [00-054007-70300-6](#) [00-054007-70304-4](#) [01-2065-1-0216](#) [01-2900-1-04412](#) [00581P0075](#) [600TS-10](#) [60205-1](#) [604200-1](#) [605601-1](#) [60598-1-CUT-TAPE](#) [61314-6-C](#) [61810-3](#) [61-S](#) [61-SN](#) [626-0194](#) [62-NBM-A](#) [62-SN](#) [62-SP](#) [63-S](#) [640179-1](#) [M55155/059I03](#) [M55155/079C01](#) [M55155/099H02](#) [M55155/109H01](#) [M55155/109H02](#) [M55155/12XH05](#) [M55155/16XH02](#) [M55155/29-5S](#)