

THIS DRAWING IS UNPUBLISHED. RELEASED FOR PUBLICATION  
 © COPYRIGHT BY TYCO ELECTRONICS CORPORATION. ALL RIGHTS RESERVED.

LOC		DIST		REVISIONS			
P	LTR	DESCRIPTION		DATE	DWN	APVD	
AF	50	D		REV PER ECR 06-006952	30MAR06	JR	GJ

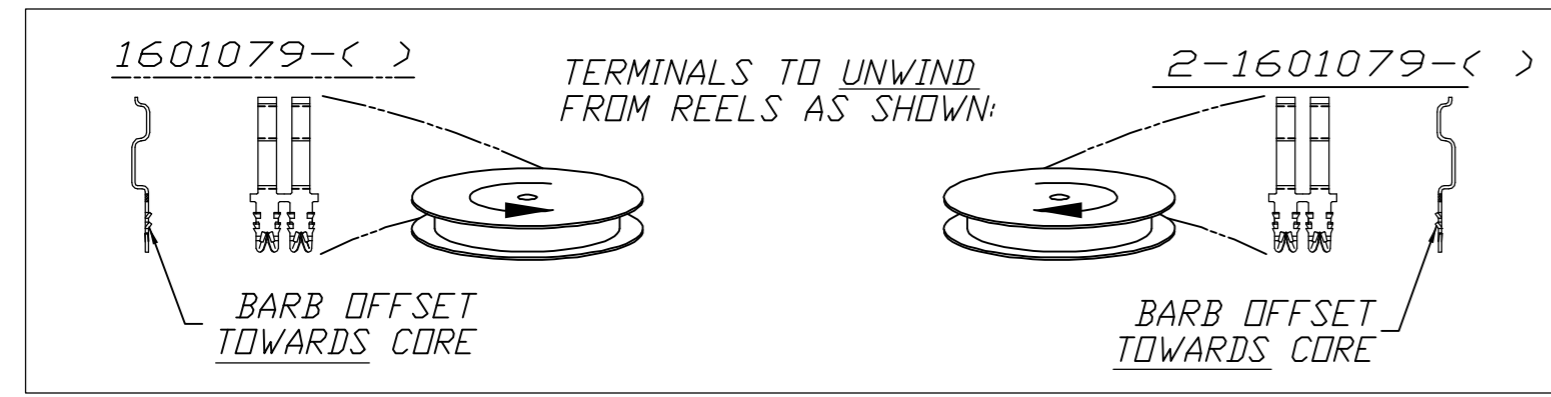
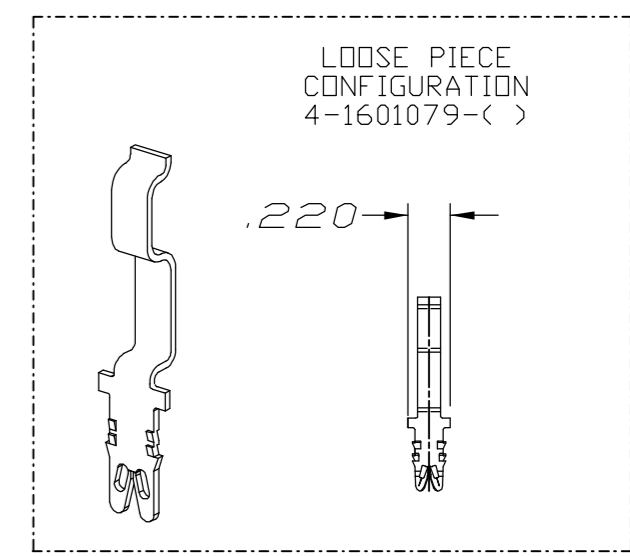
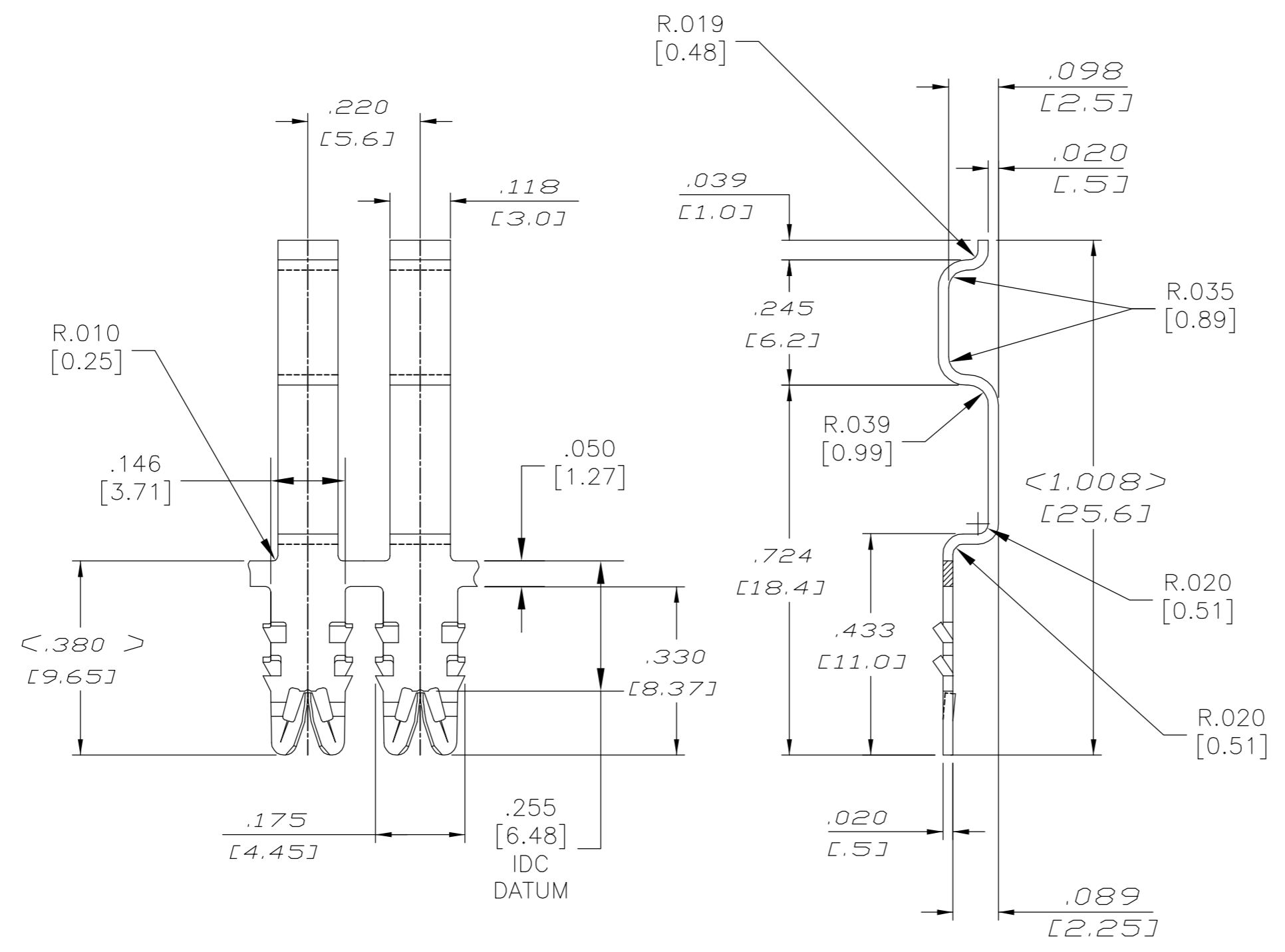
1. SPECIFICATIONS:  
 MAGNET WIRE #18 - #34 AWG,  
 .040" (1.02MM) - .006" (0.16MM) DIA COPPER.  
 OTHER SIZES MAY BE ACCOMMODATED,  
 CONSULT TYCO ELECTRONICS FOR APPROVAL.

2. POCKET RECOMMENDATION:  
 #1601425

3. NOTES:  
 TERMINALS SUPPLIED ON REELS,  
 CAN BE SUPPLIED LOOSE PIECE,

4. TERMINAL APPLICATION TO COMPLY WITH  
 TYCO ELECTRONICS SPEC #114-13166, FIG. 9

5. PRELIMINARY - NOT FOR PRODUCTION



OBSOLETE

Pre-Tin Plate over Nickel Underplate	-		2-1601079-3
Pre-Tin plate over Nickel Underplate	-		1601079-3
Pre-Silver Plate over Nickel Underplate	031-149-025		4-1601079-2
Pre-Silver Plate over Nickel Underplate	131-150-025		2-1601079-2
Pre-Silver Plate over Nickel Underplate	131-149-025		1601079-2
FINISH		REFERENCE PART NUMBER	TYCO PART NUMBER
THIS DRAWING IS A CONTROLLED DOCUMENT.		DWN J.WELLER 11JAN2002	Tyco Electronics Corporation Harrisburg, PA 17105-3608
DIMENSIONS: INCHES		CHK M.FEHER 11JAN2002	
TOLERANCES UNLESS OTHERWISE SPECIFIED:		APVD K.RANDOLPH 11JAN2002	
0 PLC ± -	1 PLC ± -	2 PLC ± .01 [0.25]	3 PLC ± .005 [0.13]
4 PLC ± -	ANGLES ± 2°	FINISH SEE TABLE	WEIGHT -
MATERIAL H04 FULL HARD	FINISH SEE TABLE	WEIGHT -	SCALE 4:1
CUSTOMER DRAWING		SIZE A2	CAGE CODE 00779
		DRAWING NO C=1601079	RESTRICTED TO -
		NAME STANDARD RANGE WIRE TO MULTI-BARB 45 MM CONTACTOR SIAMEZE TERMINAL	SHEET 1 OF 1
		SCALE 4:1	REV D

## X-ON Electronics

Largest Supplier of Electrical and Electronic Components

*Click to view similar products for* [Contactors - Electromechanical category:](#)

*Click to view products by* [TE Connectivity manufacturer:](#)

Other Similar products are found below :

[6-1618400-7](#) [686-117111](#) [686-120111](#) [686-924](#) [686-948](#) [70-901](#) [70-914](#) [MB-3D-6](#) [MC-22A/4-AC120V](#) [8-1616943-9](#) [8-1672124-5](#)  
[A40-30-10-84](#) [120-905](#) [A701U](#) [120-904](#) [1393132-9](#) [154-905](#) [154-912](#) [154-913](#) [154-915](#) [154-902](#) [154-910](#) [AVR743D](#) [B6-40-00-84](#) [B7-40-00-84](#) [1616017-5](#) [1616021-1](#) [MVDILM](#) [HP-11D-24](#) [P25-E5019-1](#) [P30C47A12D1-120](#) [P40C47A12D1-120](#) [P40P47D13P1-24-01](#) [CA7-12-10-240](#) [CA7-72-00-24Z](#) [90-162](#) [9-1393132-2](#) [2NC4F0222](#) [A275KXXV2-120VAC](#) [ACC338UMM20](#) [AF80-30-11-13](#) [SZ-B1](#) [CGC-9A-120](#) [3GC2H0M22](#) [3NC0T0A22](#) [3NC1Q0A22](#) [3NC2H0A22](#) [3NC2T0122/SE](#) [3TF3400-0BB4](#) [MC-12B-DC24V](#)