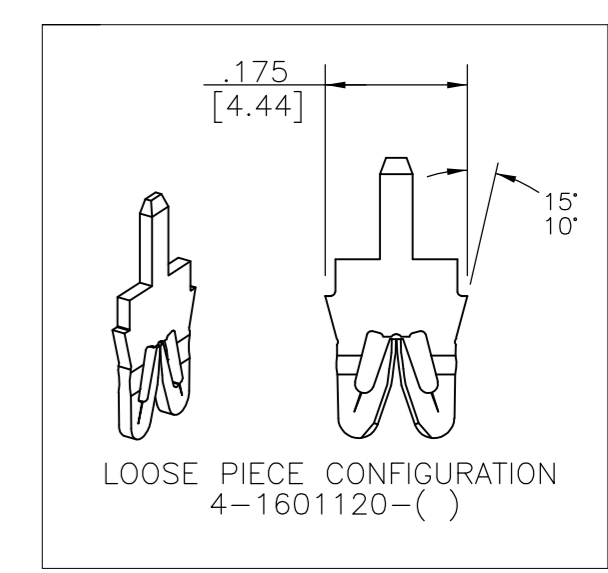
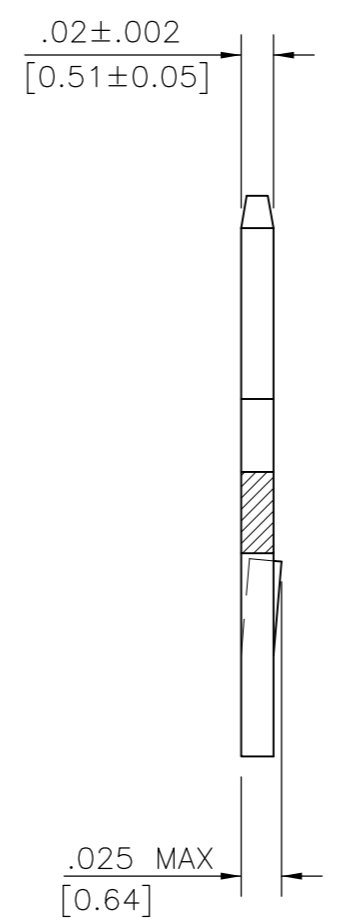
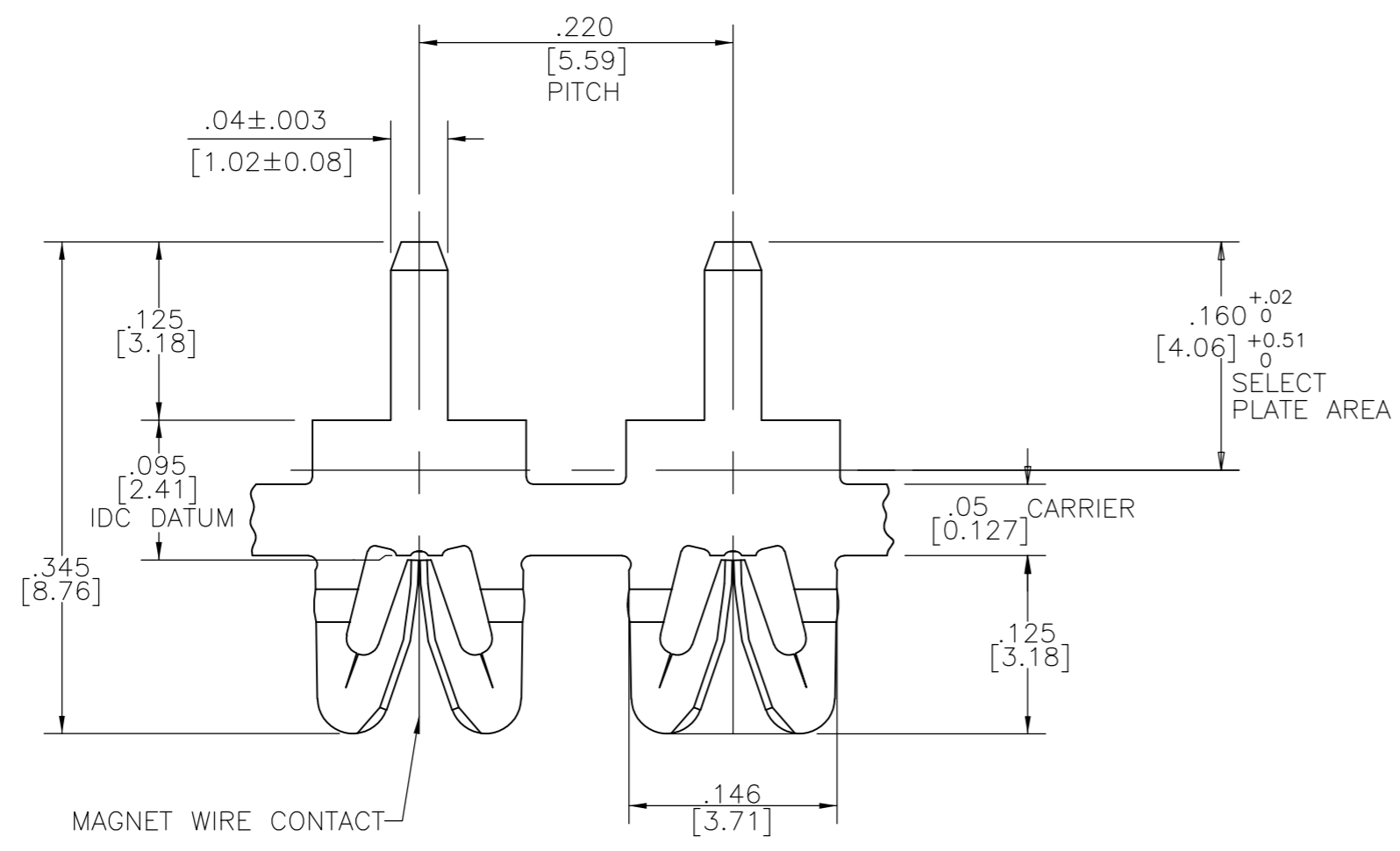


THIS DRAWING IS UNPUBLISHED. RELEASED FOR PUBLICATION
 © COPYRIGHT - TE Connectivity ALL RIGHTS RESERVED.

REVISIONS				
P	LTR	DESCRIPTION	DATE	DWN APVD
E2		REVISED PER ECR-17-013073	14SEP2017	JH PKS

- SPECIFICATIONS:
 MAGNET WIRE #27 - #36 AWG,
 0.38mm (.015") - 0.13 (.005") DIA. COPPER
 OTHER SIZES MAY BE ACCOMMODATED,
 CONSULT TYCO ELECTRONICS FOR APPROVAL.
 - POCKET RECOMMENDATION: #1601424
- 3** TERMINAL APPLICATION TO COMPLY WITH
 TYCO ELECTRONICS SPECIFICATION 114-13166
 FIGURE 5.



	SELECTIVE TIN PLATE OVER NICKEL	---	4-1601120-4
OBSOLETE	SELECTIVE POST TIN-LEAD PLATE OVER NICKEL	050-011-119	4-1601120-2
	SELECTIVE TIN PLATE OVER NICKEL	---	2-1601120-4
OBSOLETE	SELECTIVE POST TIN-LEAD PLATE OVER NICKEL	150-012-119	2-1601120-2
	UNPLATED	150-012-000	2-1601120-1
	SELECTIVE TIN PLATE OVER NICKEL	---	1601120-4
SUPERSEDED	SELECTIVE POST TIN-LEAD PLATE OVER NICKEL	150-011-019	1601120-3
OBSOLETE	SELECTIVE POST TIN-LEAD PLATE OVER NICKEL	150-011-119	1601120-2
	UNPLATED	150-011-000	1601120-1
	FINISH	REFERENCE P/N	TYCO PART NUMBER



THIS DRAWING IS A CONTROLLED DOCUMENT.

DWN	J.WELLER	11JAN2002
CHK	M.FEHER	11JAN2002
APVD	K.RANDOLPH	11JAN2002

TE Connectivity

NAME: FINE RANGE WIRE TO .040 X .020 P.C.B. SIAMEZE TERMINAL

SIZE	A2	CAGE CODE	00779	DRAWING NO	C=1601120	RESTRICTED TO	-
WEIGHT	0.000000	SCALE	1:3	SHEET	1 OF 1	REV	E2

CUSTOMER DRAWING

X-ON Electronics

Largest Supplier of Electrical and Electronic Components

Click to view similar products for [Terminals](#) category:

Click to view products by [TE Connectivity](#) manufacturer:

Other Similar products are found below :

[00-054007-01074-6](#) [00-054007-70206-1](#) [00-054007-70210-8](#) [00-054007-70217-7](#) [00-054007-70226-9](#) [00-054007-70228-3](#) [00-054007-70248-1](#) [00-054007-70256-6](#) [00-054007-70301-3](#) [00-054007-70316-7](#) [0-0320562-0](#) [00-054007-49560-4](#) [00-054007-70209-2](#) [00-054007-70225-2](#) [00-054007-70227-6](#) [00-054007-70231-3](#) [00-054007-70241-2](#) [00-054007-70242-9](#) [00-054007-70244-3](#) [00-054007-70246-7](#) [00-054007-70263-4](#) [00-054007-70288-7](#) [00-054007-70290-0](#) [00-054007-70300-6](#) [00-054007-70304-4](#) [01-2065-1-0216](#) [01-2900-1-04412](#) [00581P0075](#) [600TS-10](#) [60205-1](#) [604200-1](#) [605601-1](#) [60598-1-CUT-TAPE](#) [61314-6-C](#) [61810-3](#) [61-S](#) [61-SN](#) [626-0194](#) [62-NBM-A](#) [62-SN](#) [62-SP](#) [63-S](#) [640179-1](#) [M55155/059I03](#) [M55155/079C01](#) [M55155/099H02](#) [M55155/109H01](#) [M55155/109H02](#) [M55155/12XH05](#) [M55155/16XH02](#)