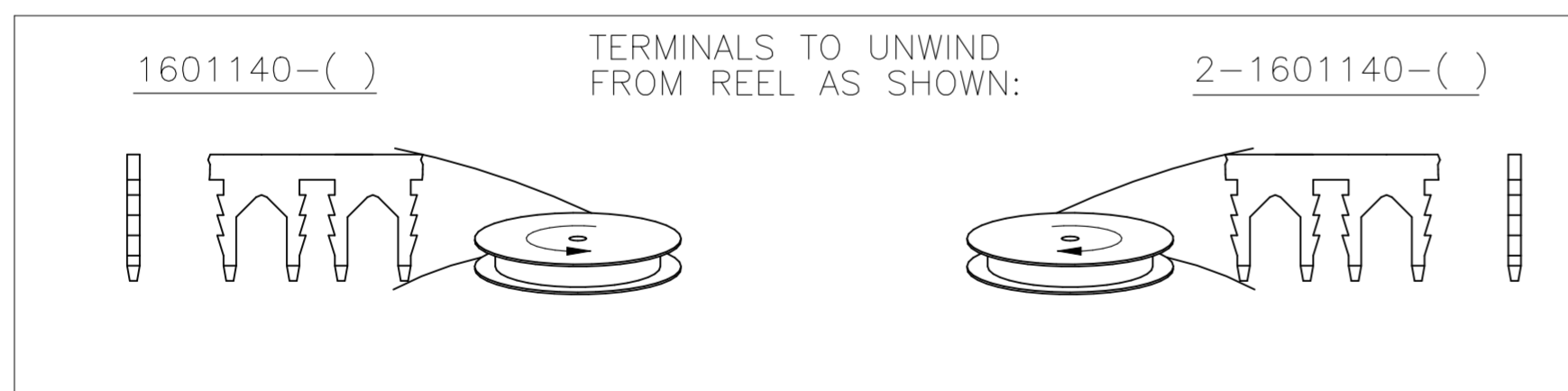
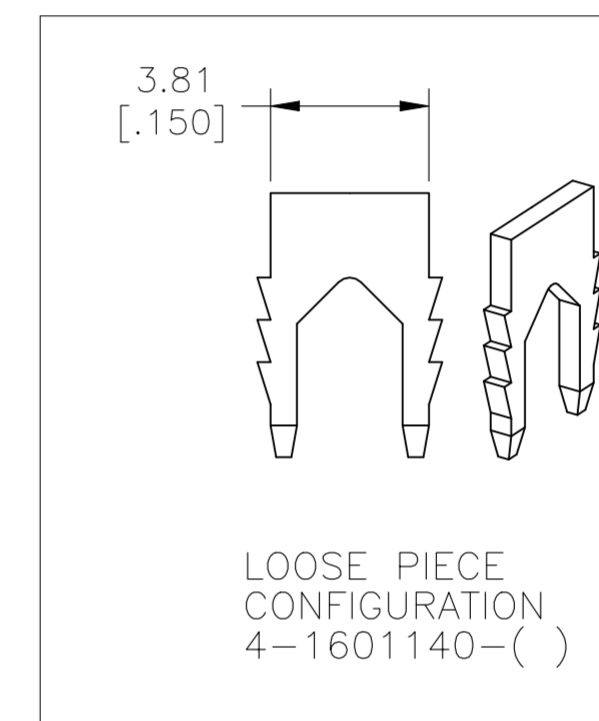
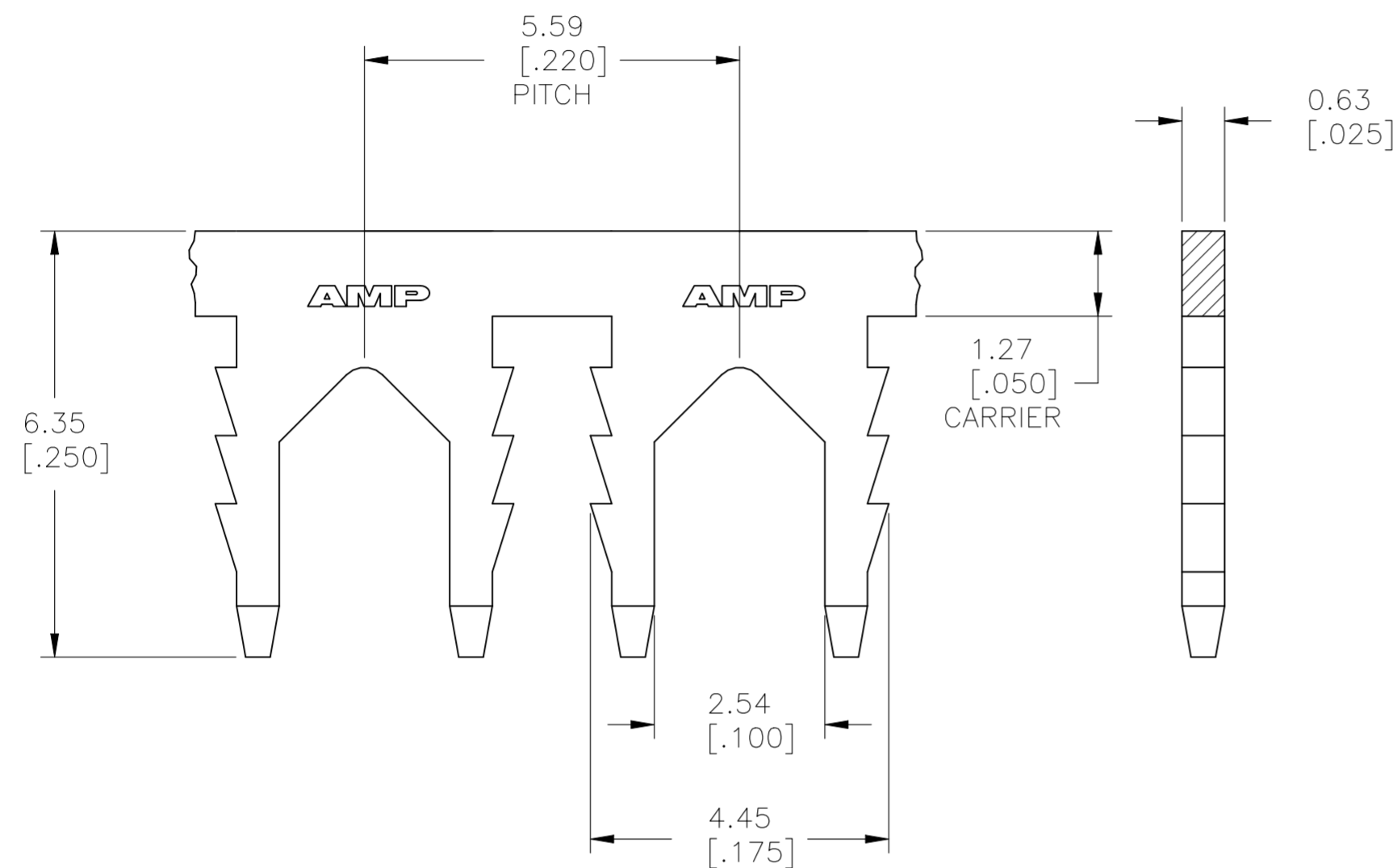


REVISIONS				
P	LTR	DESCRIPTION	DATE	APVD
C4		ADDED 1601140-2 TO PARTS TABLE	05JAN2021	MB TD

- SPECIFICATIONS:  
LEAD WIRE #18 - #22 AWG, (0.8mm<sup>2</sup>-0.3mm<sup>2</sup>)  
INSULATED LEAD WIRE.  
MAX INSULATION O.D. 2.9mm(.115").  
OTHER SIZES MAY BE ACCOMMODATED,  
CONSULT TYCO ELECTRONICS FOR APPROVAL.
- POCKET RECOMMENDATION: #1601421
- STRAIN RELIEF APPLICATION TO COMPLY WITH  
TYCO ELECTRONICS SPECIFICATION 114-13166, FIG 3



-	-	-
POST PLATED NICKEL	-	1601140-2
POST PLATED NICKEL	-	4-1601140-2
UNPLATED	053-001-000	4-1601140-1
UNPLATED	153-004-000	2-1601140-1
UNPLATED	153-001-000	1601140-1
FINISH	REFERENCE PART NUMBER	PART NUMBER
THIS DRAWING IS A CONTROLLED DOCUMENT.		DWN J.WELLER 11JAN2002
DIMENSIONS: mm [INCHES]		CHK M.FEHER 11JAN2002
TOLERANCES UNLESS OTHERWISE SPECIFIED:		APVD K.RANDOLPH 11JAN2002
0 PLC ± -	1 PLC ± 0.25[.010]	NAME
2 PLC ± 0.13[.005]	3 PLC ± -	PRODUCT SPEC
4 PLC ± -	ANGLES ± 2°	APPLICATION SPEC
MATERIAL BRASS, SPRING HARD	FINISH SEE TABLE	WEIGHT 0.000000
		SIZE A2
		CAGE CODE 00779
		DRAWING NO C=1601140
		RESTRICTED TO -
CUSTOMER DRAWING		SCALE 11:1
		SHEET 1 OF 1
		REV C4

## X-ON Electronics

Largest Supplier of Electrical and Electronic Components

*Click to view similar products for [Terminals](#) category:*

*Click to view products by [TE Connectivity](#) manufacturer:*

Other Similar products are found below :

[00-054007-01074-6](#) [00-054007-70206-1](#) [00-054007-70210-8](#) [00-054007-70217-7](#) [00-054007-70226-9](#) [00-054007-70228-3](#) [00-054007-70248-1](#) [00-054007-70256-6](#) [00-054007-70301-3](#) [00-054007-70316-7](#) [0-0320562-0](#) [00-054007-49560-4](#) [00-054007-70209-2](#) [00-054007-70225-2](#) [00-054007-70227-6](#) [00-054007-70231-3](#) [00-054007-70241-2](#) [00-054007-70242-9](#) [00-054007-70244-3](#) [00-054007-70246-7](#) [00-054007-70263-4](#) [00-054007-70288-7](#) [00-054007-70290-0](#) [00-054007-70300-6](#) [00-054007-70304-4](#) [01-2065-1-0216](#) [01-2900-1-04412](#) [00581P0075](#) [600TS-10](#) [60205-1](#) [604200-1](#) [605601-1](#) [60598-1-CUT-TAPE](#) [61314-6-C](#) [61810-3](#) [61-S](#) [61-SN](#) [626-0194](#) [62-NBM-A](#) [62-SN](#) [62-SP](#) [63-S](#) [640179-1](#) [M55155/059I03](#) [M55155/079C01](#) [M55155/099H02](#) [M55155/109H01](#) [M55155/109H02](#) [M55155/12XH05](#) [M55155/16XH02](#)