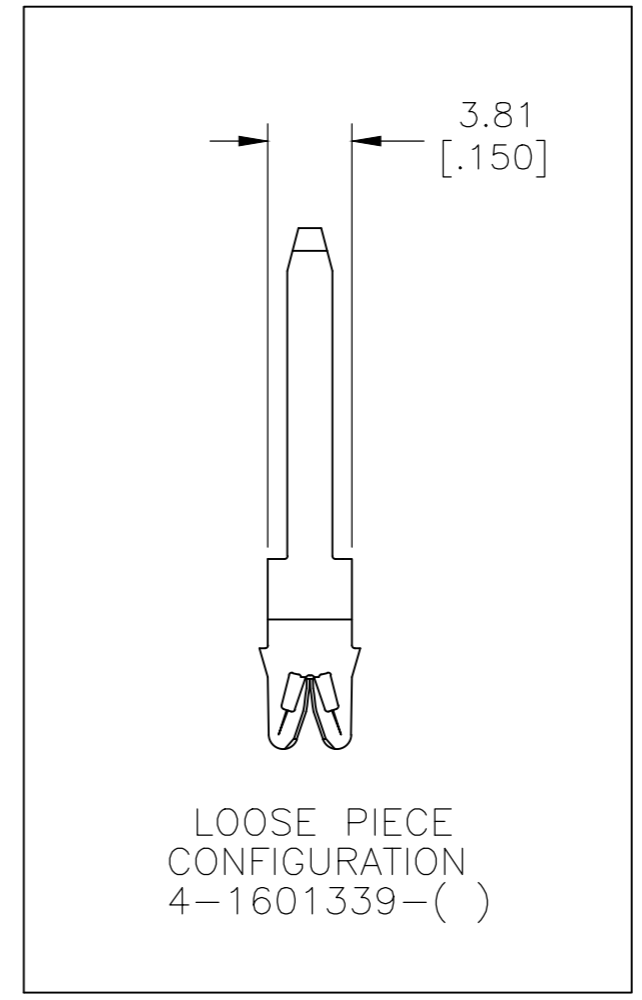
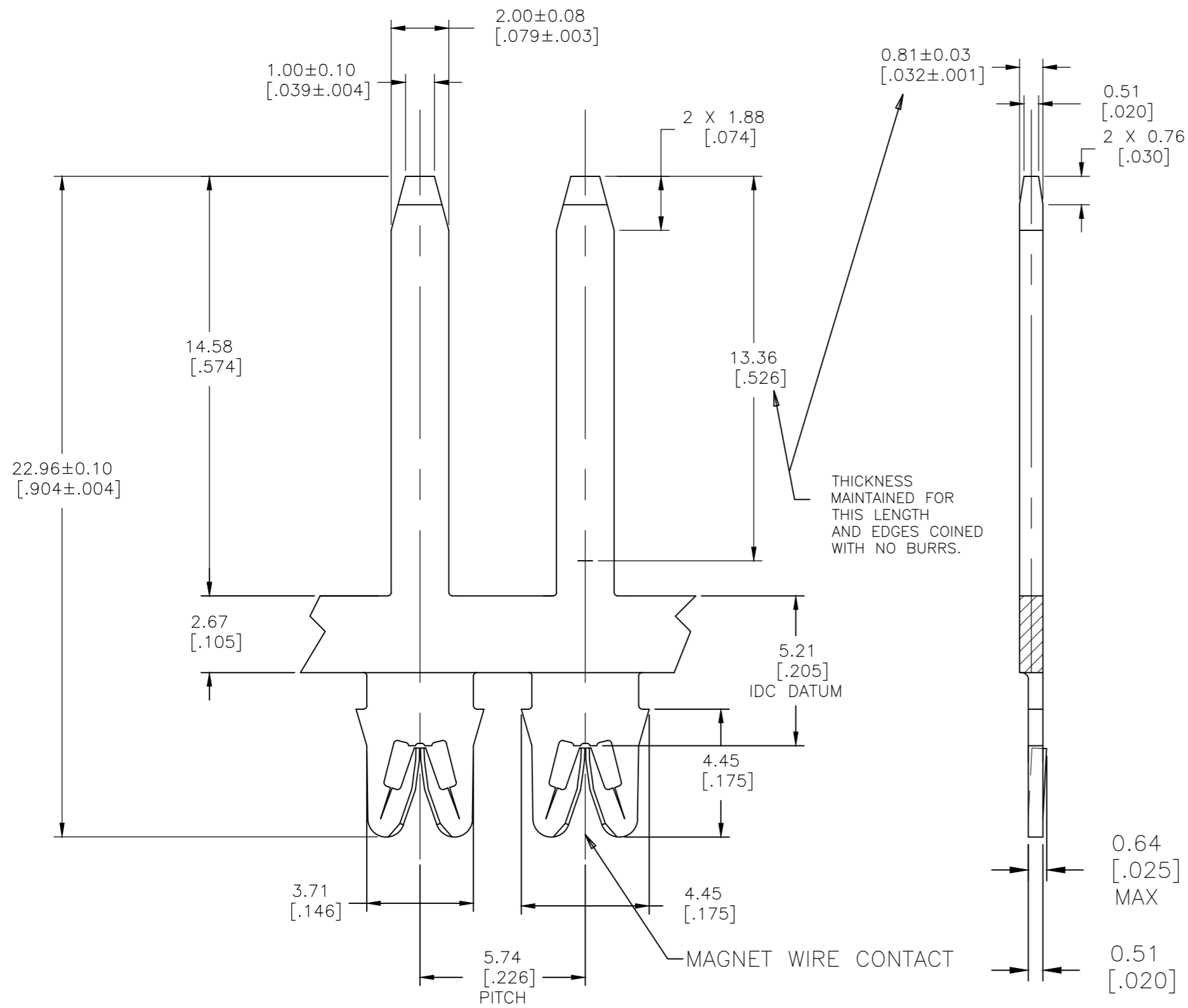


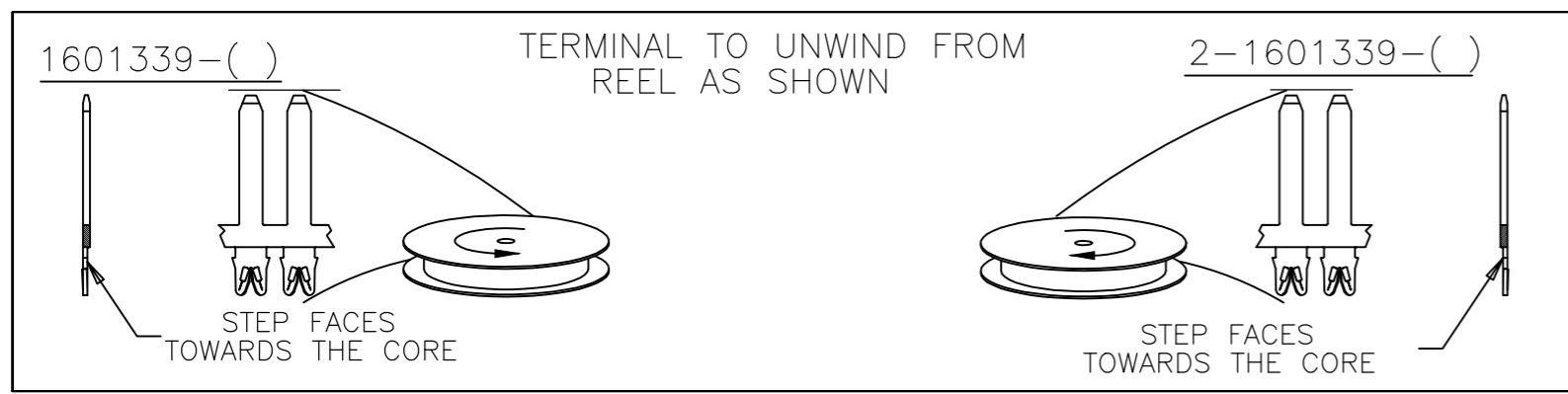
THIS DRAWING IS UNPUBLISHED. RELEASED FOR PUBLICATION
 © COPYRIGHT - By - ALL RIGHTS RESERVED.

LOC	DIST	REVISIONS					
		P	LTR	DESCRIPTION	DATE	DWN	APVD
AF	50		A3	REMOVE NOTE 7 FROM 1601339-2	02APR2020	JA	TIM
			A2	TERMINAL LENGTH CHANGED FROM 22.96+0.10/-0.18 TO 22.96+/-0.10	7APR2016	JH	TIM
			A1	TERMINAL LENGTH CHANGED FROM 22.96+/-0.10 TO 22.96+0.10/-0.18	9MAR2016	JH	TIM



NOTES:

- SPECIFICATIONS:
MAGNET WIRE #34 - #18 AWG 0.16mm[.006]
-1.02mm[.040] DIA COPPER.
- POCKET RECOMMENDATION: # 1601431
- TERMINAL APPLICATION TO COMPLY WITH TYCO ELECTRONICS SPECIFICATION 114-13166 FIGURE 10
- TWO TERMINALS SHOWN FOR ILLUSTRATION PURPOSES.
- PACKAGING QUANTITY : 30K PCS/REEL
- REEL DIMENSION
FLANGE DIAMETER: 24"
CORE DIAMETER: 8"
ARBOR HOLE DIAMETER: .812" (13/16)
- PRE-PRODUCTION-FASR REQUIRED.



PRE TIN PLATE	-	4-1601339-2	7
PRE TIN PLATE	-	2-1601339-2	7
PRE TIN PLATE	-	1601339-2	
FINISH	REFERENCE PART NUMBER	TE PART NUMBER	
THIS DRAWING IS A CONTROLLED DOCUMENT.		DWN JUSTIN HUANG 19JAN2016 CHK TIM DING 19JAN2016 APVD RAJENDRA 19JAN2016	
DIMENSIONS: mm [INCHES] TOLERANCES UNLESS OTHERWISE SPECIFIED: 0 PLC ± - 1 PLC ± - 2 PLC ± 0.13[.005] 3 PLC ± - 4 PLC ± - ANGLES ± 2°		NAME STANDARD RANGE WIRE TO 2.0 X 0.81 TAB SIAMEZE TERMINAL PRODUCT SPEC 108-2085 APPLICATION SPEC 3	
MATERIAL BRASS, 3/4 HARD	FINISH SEE TABLE	WEIGHT 0.36	SIZE A2 CAGE CODE 00779 DRAWING NO C=1601339 RESTRICTED TO -
CUSTOMER DRAWING		SCALE 6:1	SHEET 1 OF 1 REV A3

X-ON Electronics

Largest Supplier of Electrical and Electronic Components

Click to view similar products for [Other Tools](#) category:

Click to view products by [TE Connectivity](#) manufacturer:

Other Similar products are found below :

[CR-0AFL4--332K](#) [568681-1](#) [5800-0090](#) [58061-1](#) [59065-5](#) [59085](#) [00-8273-RDPP](#) [00-8729-WHPP](#) [593033](#) [593072](#) [593564100](#) [593575](#)
[593593](#) [011349-000](#) [CRCW08052740FRT1](#) [LUC-012S070DSM](#) [LUC-018S070DSP](#) [LUC-024S105DSP](#) [599-2021-3-NME](#) [599-JJ-2021-03](#)
[00-5080-YWPP](#) [00-9089-RDPP](#) [00-9300-RDPP](#) [CRCW2010331JR02](#) [601-JJ-06](#) [601-SPB](#) [601YSY](#) [602-JJ-03](#) [602SPB](#) [603-JJ-07-FP](#) [603-](#)
[JJY-04](#) [M15570-25](#) [CRTN1013](#) [CS16](#) [6-1579014-0](#) [6203](#) [62200-5709](#) [6240-1](#) [M43435 TY 2 SZ 3 FIN B BLK](#) [M43435 TY 5 SZ 3 FIN C](#)
[NAT](#) [M-5Z](#) [M6816](#) [M7298](#) [M7456](#) [M7976](#) [660-29ABT1](#) [662508-1](#) [CVHD-950X-93.333](#) [CW104-01X](#) [671-GP-04-KT39-73207](#)