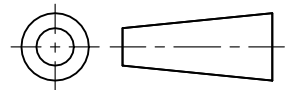


DO NOT SCALE

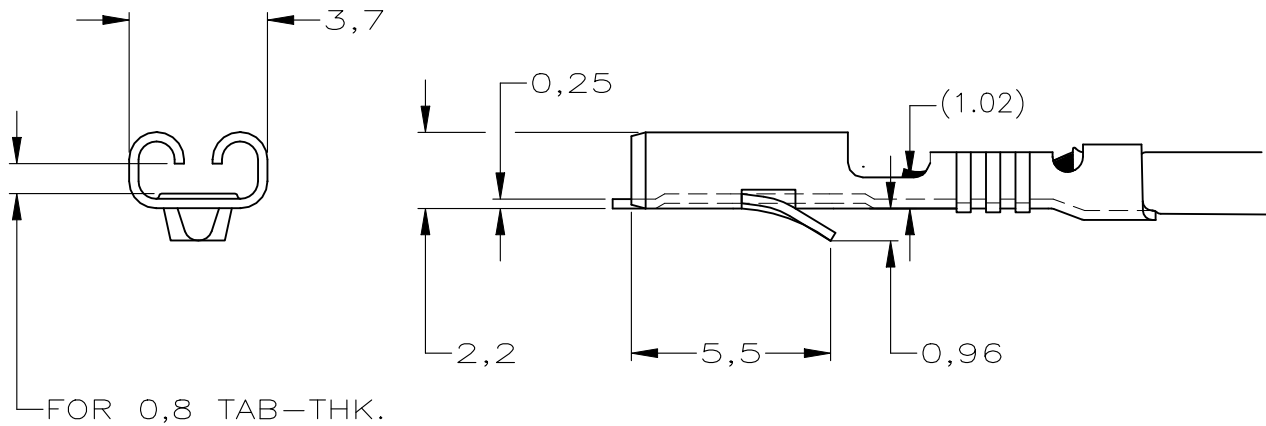
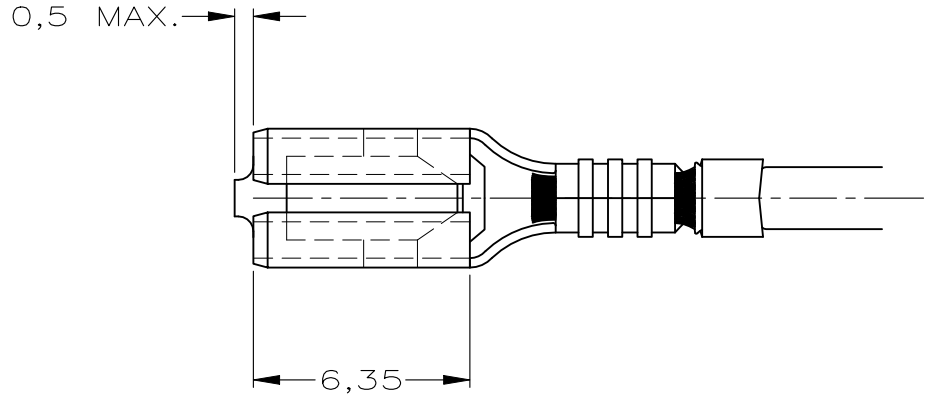
DIMENSIONS IN mm

METRIC

THIRD ANGLE
PROJECTION



WIRE RANGE :
0,3-0,6 mm² 22-20AWG
INSULATION RANGE :
1,3-2,0 DIA .050-.080 DIA



FOR 0,8 TAB-THK.

NOTE:

⚠ OBSOLETE PARTS: OBSOLETE CIS STREAMLINING PER D.RENAUD/D.SINISI

TINPLATED	PH. BRONZE		160173-7
UNPLATED	PH. BRONZE		160173-6
GOLDPLATED	BRASS	⚠	160173-5
NICKELPLATED	BRASS		160173-4
SILVERPLATED	BRASS	⚠	160173-3
TINPLATED	BRASS		160173-2
UNPLATED	BRASS		160173-1

FINISH

MATERIAL

PARTNUMBER

-	-	-	-	-
-	-	-	-	-
-	-	-	-	-
-	-	-	-	-
E	ECR-21-100133	BDA	DH	10FEB2021
D1	ECO-10-000443	KK	HMR	18JAN10
D	EH-0065-95	DK	PB	18 JAN 95
LTR.	REVISION RECORD	DR.	CHK.	DATE

CUSTOMER DRAWING

FOR REFERENCE ONLY
WILL NOT BE UPDATED

© COPYRIGHT 19 - BY AMP HOLLAND B.V.
ALL INTERNATIONAL RIGHTS RESERVED. AMP PRODUCTS MAY BE
COVERED BY U.S. AND FOREIGN AND/OR PATENTS PENDING.
THIS DRAWING IS UNPUBLISHED
RELEASED FOR PUBLICATION _____, 19 _____



TE Connectivity

AMP HOLLAND B.V.
's-Hertogenbosch,
The Netherlands.

NAME

.110 SRS FASTIN-ON
RECEPTACLE

DR.:	D.KESSLER	CHK.:	P.BEIJNON	APP.:	L.v.SOEST	DWG.No.	REV.LTR.	SHEET
DATE:	18 JAN 95	DATE:	-	DATE:	-	C- 160173	E	1 OF 1

DWG.No.	REV.LTR.	SHEET
C- 160173	E	1 OF 1

A4

X-ON Electronics

Largest Supplier of Electrical and Electronic Components

Click to view similar products for [Terminals](#) category:

Click to view products by [TE Connectivity](#) manufacturer:

Other Similar products are found below :

[00-054007-01074-6](#) [00-054007-70206-1](#) [00-054007-70210-8](#) [00-054007-70217-7](#) [00-054007-70226-9](#) [00-054007-70228-3](#) [00-054007-70248-1](#) [00-054007-70256-6](#) [00-054007-70301-3](#) [00-054007-70316-7](#) [00-054007-49560-4](#) [00-054007-70209-2](#) [00-054007-70225-2](#) [00-054007-70227-6](#) [00-054007-70231-3](#) [00-054007-70241-2](#) [00-054007-70242-9](#) [00-054007-70244-3](#) [00-054007-70246-7](#) [00-054007-70263-4](#) [00-054007-70288-7](#) [00-054007-70290-0](#) [00-054007-70300-6](#) [00-054007-70304-4](#) [01-2065-1-0216](#) [01-2900-1-04412](#) [00581P0075](#) [600TS-10](#) [60205-1](#) [604200-1](#) [605601-1](#) [60598-1-CUT-TAPE](#) [61314-6-C](#) [61810-3](#) [61-S](#) [61-SN](#) [626-0194](#) [62-NBM-A](#) [62-SN](#) [62-SP](#) [63-S](#) [640179-1](#) [M55155/059I03](#) [M55155/079C01](#) [M55155/099H02](#) [M55155/109H01](#) [M55155/109H02](#) [M55155/12XH05](#) [M55155/16XH02](#) [M55155/29-5S](#)