

DO NOT SCALE

DIMENSIONS IN mm

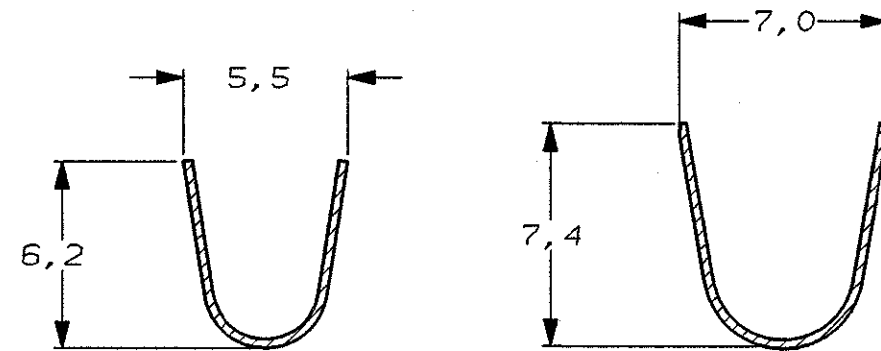
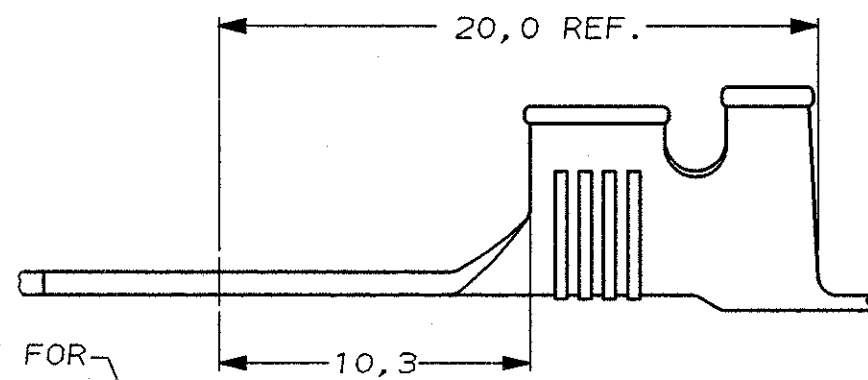
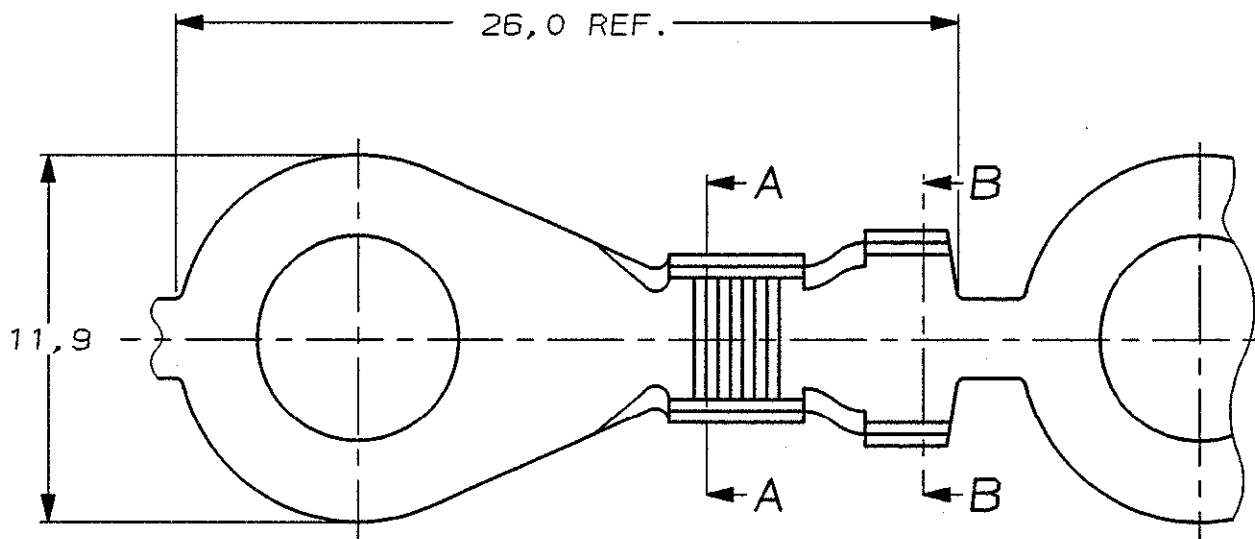
METRIC

THIRD ANGLE
PROJECTION



NOTES:

- ① FOR USE ON STANDARD AND MINIATURE APPLICATORS.
- ② FOR USE ON MINIATURE APPLICATORS. (AMP-O-MATOR APPLICATION)
- ③ REELED WITH PAPER COVER.
- ④ REELED WITH PAPER AND WITH PAPERCOVER
- ⑤ OBSOLETE PARTS: OBSOLETE CIS STREAMLINING PER D.RENAUD/D.SINISI



SECTION A-A

SECTION B-B

6,7 DIA. HOLE FOR
STUD M6.

0,5 MAX.

0,76

WIRE RANGE :
3,1-5,3 mm²

INSULATION RANGE :
3,8-5,3 DIA.

⑤ OBSOLETE	①	TINPLATED	PHOSPHOR BRONZE	160181-7
OBSOLETE	③ ①	UNPLATED	PHOSPHOR BRONZE	160181-6
	④ ①	UNPLATED	BRASS	160181-5
⑤ OBSOLETE	② ①	UNPLATED	BRASS	160181-4
	①	UNPLATED	PHOSPHOR BRONZE	160181-3
	② ①	TINPLATED	BRASS	160181-2
⑤ OBSOLETE	①	UNPLATED	BRASS	160181-1

NOTES	FINISH	MATERIAL	PARTNUMBER
-	-	-	-
-	-	-	-
-	-	-	-
C2	ECR-10-022530	KK HMR	02FEB11
C1	ECO-09-026346	KK AEG	25NOV09
C	EH-0334-94	HVD AB	20.06.94
B	H-9701	JvdH AB	14-04-92
LTR.	REVISION RECORD	DR.	CHK. DATE
DR.:	J.V.D.HEIJDEN	CHK.:	A.BIJNEN
APP.:	L.V.SOEST.	DATE:	28-04-83
DATE:	20-04-83	DATE:	28-04-83
DWG. No.			C-160181
REV. LTR.	C2	SHEET	1 OF 1
NAME			RING TONGUE.

CUSTOMER DRAWING FOR REFERENCE ONLY
WILL NOT BE UPDATED
© COPYRIGHT 19- BY TE HOLLAND B.V.
ALL INTERNATIONAL RIGHTS RESERVED. TE PRODUCTS MAY BE
COVERED BY U.S. AND FOREIGN AND/OR PATENTS PENDING.
THIS DRAWING IS UNPUBLISHED
RELEASED FOR PUBLICATION



DR.:	J.V.D.HEIJDEN	CHK.:	A.BIJNEN	APP.:	L.V.SOEST.	DATE:	28-04-83
DATE:	20-04-83	DATE:	28-04-83	DATE:	28-04-83	DWG. No.	C-160181
REV. LTR.	C2	SHEET	1 OF 1	A3			

X-ON Electronics

Largest Supplier of Electrical and Electronic Components

Click to view similar products for [Terminals](#) category:

Click to view products by [TE Connectivity](#) manufacturer:

Other Similar products are found below :

[00-054007-01074-6](#) [00-054007-70206-1](#) [00-054007-70210-8](#) [00-054007-70217-7](#) [00-054007-70226-9](#) [00-054007-70228-3](#) [00-054007-70248-1](#) [00-054007-70256-6](#) [00-054007-70301-3](#) [00-054007-70316-7](#) [00-054007-49560-4](#) [00-054007-70209-2](#) [00-054007-70225-2](#) [00-054007-70227-6](#) [00-054007-70231-3](#) [00-054007-70241-2](#) [00-054007-70242-9](#) [00-054007-70244-3](#) [00-054007-70246-7](#) [00-054007-70263-4](#) [00-054007-70288-7](#) [00-054007-70290-0](#) [00-054007-70300-6](#) [00-054007-70304-4](#) [01-2065-1-0216](#) [01-2900-1-04412](#) [00581P0075](#) [600TS-10](#) [60205-1](#) [604200-1](#) [605601-1](#) [60598-1-CUT-TAPE](#) [61314-6-C](#) [61810-3](#) [61-S](#) [61-SN](#) [626-0194](#) [62-NBM-A](#) [62-SN](#) [62-SP](#) [63-S](#) [640179-1](#) [M55155/059I03](#) [M55155/079C01](#) [M55155/099H02](#) [M55155/109H01](#) [M55155/109H02](#) [M55155/12XH05](#) [M55155/16XH02](#) [M55155/29-5S](#)