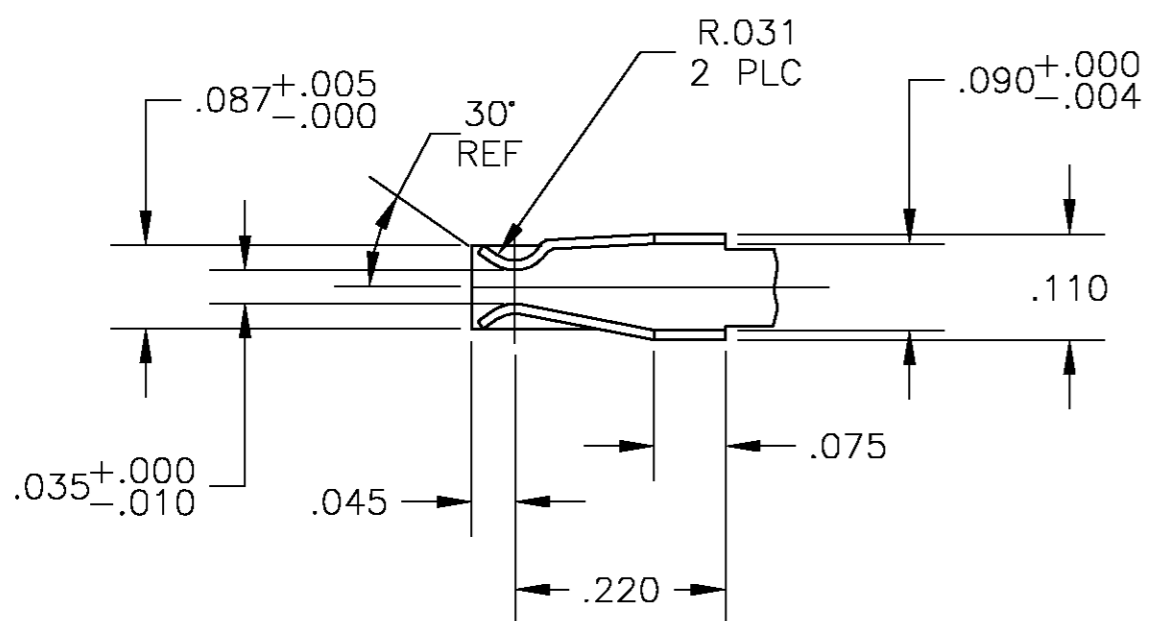
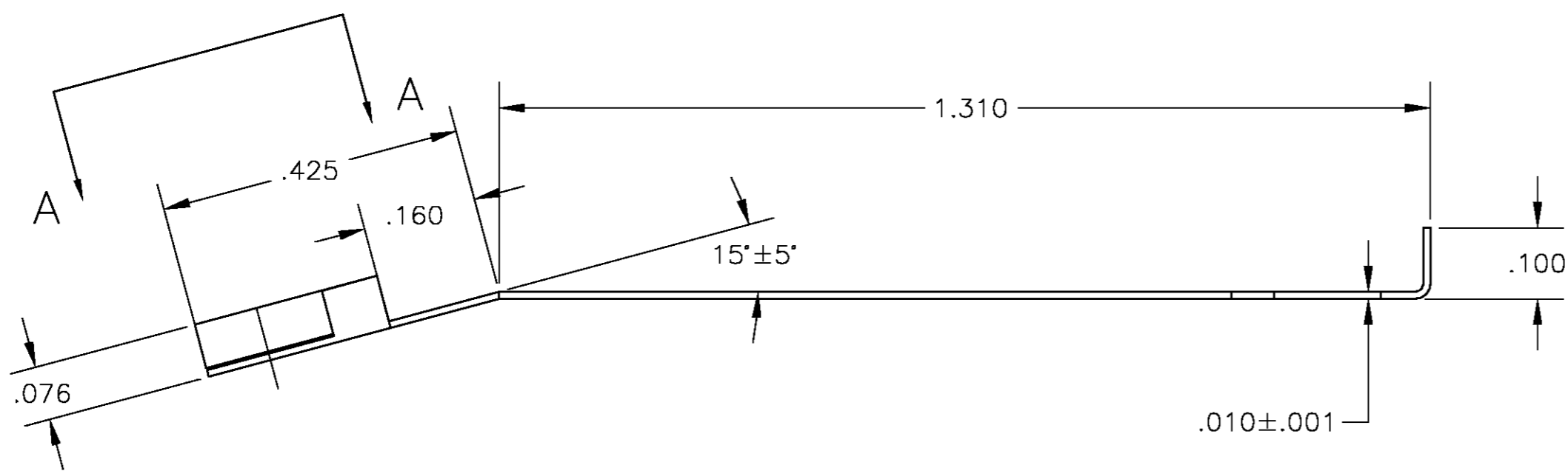
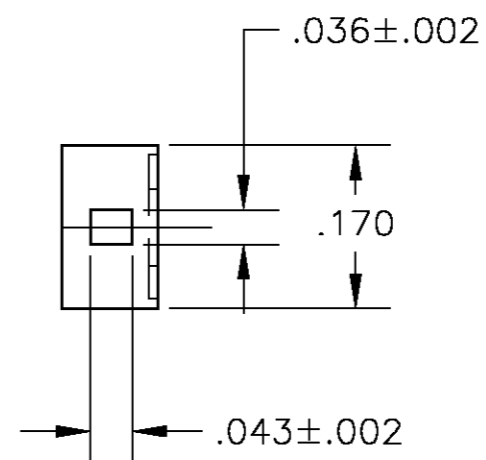
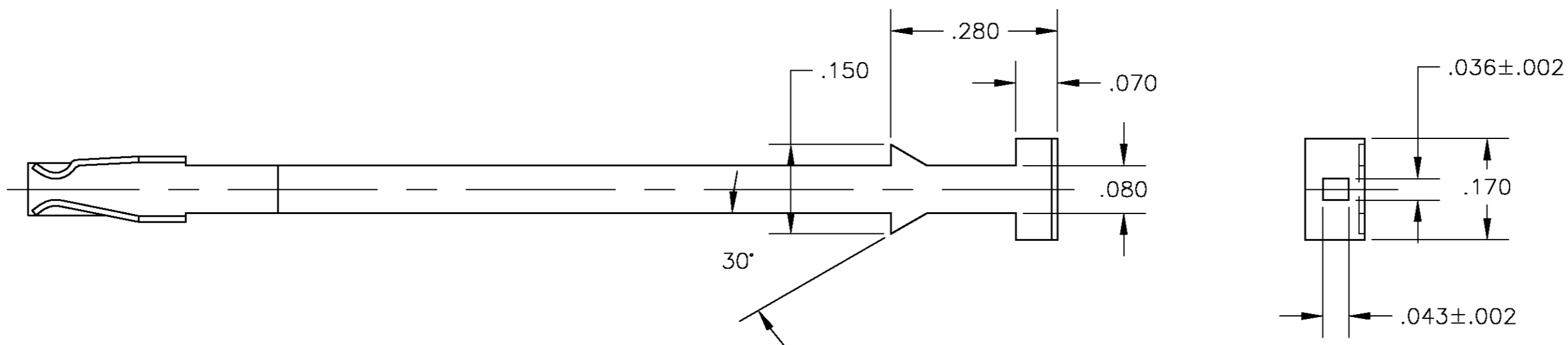


THIS DRAWING IS UNPUBLISHED. RELEASED FOR PUBLICATION
 © COPYRIGHT BY TYCO ELECTRONICS CORPORATION. ALL RIGHTS RESERVED.

LOC	DIST	REVISIONS					
AG	14	P	LTR	DESCRIPTION	DATE	DWN	APVD
		A		REVISED PER 0G63-0116-03	09OCT03	MF	KR

1 SUPPLIED IN LOOSE PIECE



VIEW A-A
 ROTATED 15° CW

1601950-1
 PART NO

THIS DRAWING IS A CONTROLLED DOCUMENT.		DWN	16JAN03	Tyco Electronics Corporation Harrisburg, PA 17105
DIMENSIONS: INCHES		CHK	16JUN03	
TOLERANCES UNLESS OTHERWISE SPECIFIED:		APVD	16JUN03	
0 PLC ± - 1 PLC ± - 2 PLC ± - 3 PLC ± .010 4 PLC ± - ANGLES ± 1° FINISH -		NAME K RANDOLPH PRODUCT SPEC APPLICATION SPEC WEIGHT -		
MATERIAL 3/4 HARD BRASS		SIZE	A2	CAGE CODE 00779
		DRAWING NO	C=1601950	
		RESTRICTED TO	-	
		SCALE	5:1	SHEET 1 OF 1 REV A

X-ON Electronics

Largest Supplier of Electrical and Electronic Components

Click to view similar products for [Automotive Connectors](#) category:

Click to view products by [TE Connectivity](#) manufacturer:

Other Similar products are found below :

[003-018-000](#) [600858](#) [60403001](#) [60993906-B](#) [60993913-B](#) [629515004020001](#) [M902-2131](#) [M902-2161](#) [M902-2344](#) [72.330.1035.1](#)
[73.353.4028.0](#) [F118010](#) [F119300-B](#) [F132210](#) [F132210-B](#) [F166900](#) [F180100](#) [F258300](#) [F258300-B](#) [F294300-B](#) [F339100](#) [F339700](#) [F358300-](#)
[B](#) [F374110](#) [F407400](#) [F412210](#) [F427600](#) [F444110](#) [F487000](#) [F495100-B](#) [F500900-B](#) [F509500B-B](#) [770444-1](#) [776880-1](#) [827153-1](#) [881735-1](#)
[8N1515-32-24P](#) [9-1326727-8](#) [9-1326729-8](#) [925467-1](#) [925474-1](#) [928905-1](#) [936398-2](#) [964562-1](#) [964562-4](#) [964731-2](#) [965051-1](#) [968782-1](#)
[GT17SA-8DS-HU](#) [GT17VS-10DP-5.2CF](#)