

4

3

2

1

THIS DRAWING IS UNPUBLISHED.

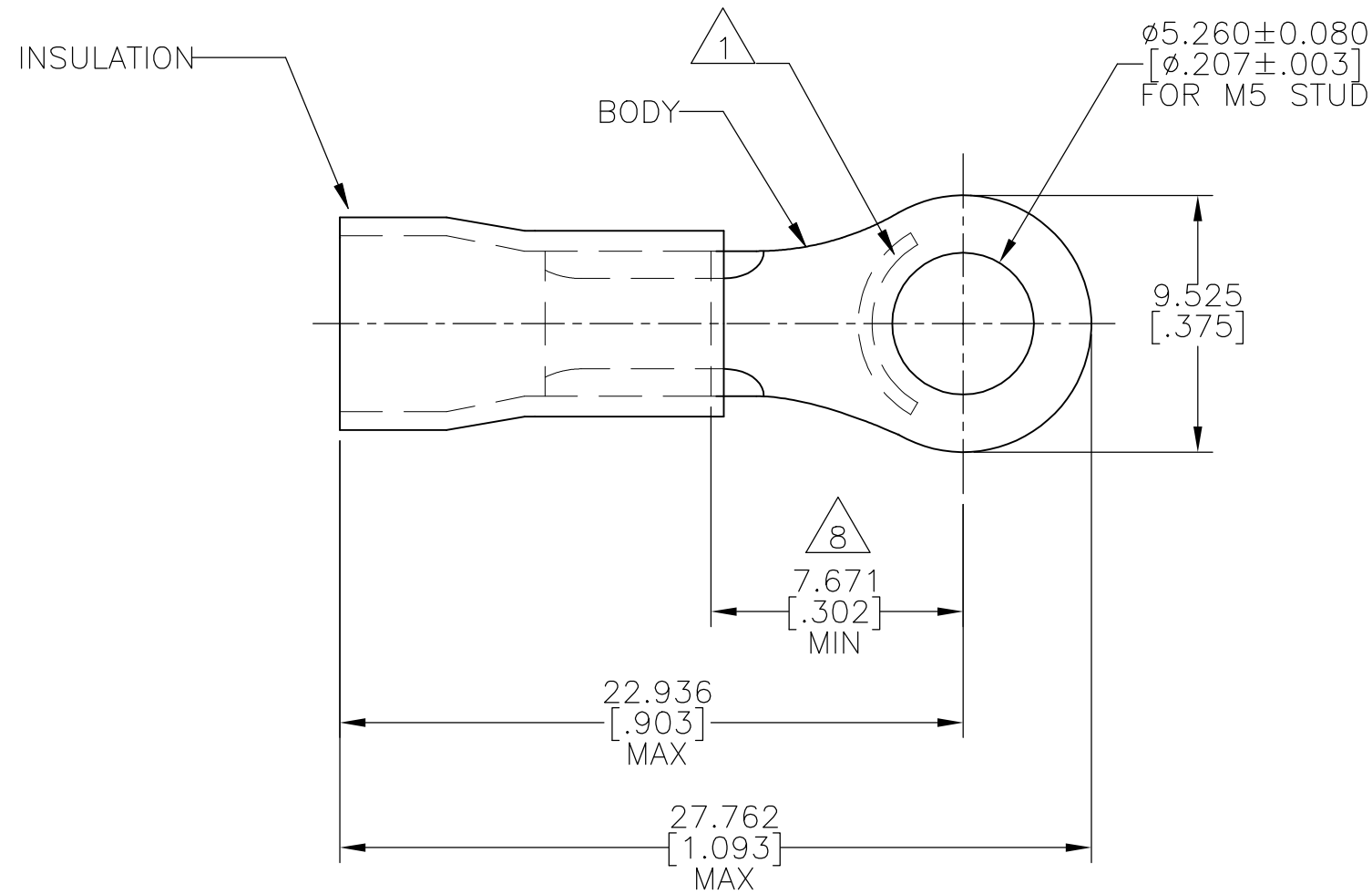
RELEASED FOR PUBLICATION

REVISIONS

© COPYRIGHT - TE Connectivity Ltd.

ALL RIGHTS RESERVED.

P	LTR	DESCRIPTION	DATE	DWN	APVD
A		REV PER ECR 08-028314	19NOV08	JR	TM
A1		REVISED PER ECO-17-014338	15MAY2018	RS	DR



- 1 STAMP "AMP 12-10*", LOCATION APPROX AS SHOWN.
- 2 WIRE INSULATION DIA 3.810-6.350 [.150-.252]
- 3 OPERATING TEMPERATURE 105°C [221°F] MAX
- 4 VOLTAGE RATING 600V MAX
- 5 CMA 2.62-6.64mm² [5,180-13,100]
- 6 MATERIAL:
BODY - COPPER PER ASTM B-152
INSULATION - PVC
- 7 FINISH:
BODY - TIN PL PER ASTM B-545
INSULATION - COLOR-YELLOW
- 8 APPLIES FROM EDGE OF METAL WIRE BARREL TO CENTER OF STUD HOLE.
- 9 BODY MATERIAL THICKNESS IS 0.991 ± 0.051 [.039 ± .002]

500	LOOSE PIECE	160292
QTY	PACKAGE TYPE	PART NO

THIS DRAWING IS A CONTROLLED DOCUMENT.		DWN jr ruth 19NOV08	TE Connectivity Ltd.	
DIMENSIONS: mm [INCHES]		CHK T MICHIELUTTI 19NOV08		
TOLERANCES UNLESS OTHERWISE SPECIFIED:		APVD T MICHIELUTTI 19NOV08	NAME TERMINAL RING TONGUE, PLASTI-GRIP, WIRE SIZE 12-10 AWG	
0 PLC ± -		PRODUCT SPEC	SIZE	
1 PLC ± -		APPLICATION SPEC	CAGE CODE	
2 PLC ± -		114-2161	DRAWING NO	
3 PLC ± 0.127 [.005]		WEIGHT	RESTRICTED TO	
4 PLC ± -		CUSTOMER DRAWING	A3 00779 160292	
ANGLES ± 5°		SCALE	SHEET	
MATERIAL	FINISH	4:1	1 OF 1	
-	-		REV A1	

X-ON Electronics

Largest Supplier of Electrical and Electronic Components

Click to view similar products for [Terminals](#) category:

Click to view products by [TE Connectivity](#) manufacturer:

Other Similar products are found below :

[00-054007-01074-6](#) [00-054007-70206-1](#) [00-054007-70210-8](#) [00-054007-70217-7](#) [00-054007-70226-9](#) [00-054007-70228-3](#) [00-054007-70248-1](#) [00-054007-70256-6](#) [00-054007-70301-3](#) [00-054007-70316-7](#) [0-0320562-0](#) [00-054007-49560-4](#) [00-054007-70209-2](#) [00-054007-70225-2](#) [00-054007-70227-6](#) [00-054007-70231-3](#) [00-054007-70241-2](#) [00-054007-70242-9](#) [00-054007-70244-3](#) [00-054007-70246-7](#) [00-054007-70263-4](#) [00-054007-70288-7](#) [00-054007-70290-0](#) [00-054007-70300-6](#) [00-054007-70304-4](#) [01-2065-1-0216](#) [01-2900-1-04412](#) [00581P0075](#) [600TS-10](#) [60205-1](#) [604200-1](#) [605601-1](#) [60598-1-CUT-TAPE](#) [61314-6-C](#) [61810-3](#) [61-S](#) [61-SN](#) [626-0194](#) [62-NBM-A](#) [62-SN](#) [62-SP](#) [63-S](#) [640179-1](#) [M55155/059I03](#) [M55155/079C01](#) [M55155/099H02](#) [M55155/109H01](#) [M55155/109H02](#) [M55155/12XH05](#) [M55155/16XH02](#)