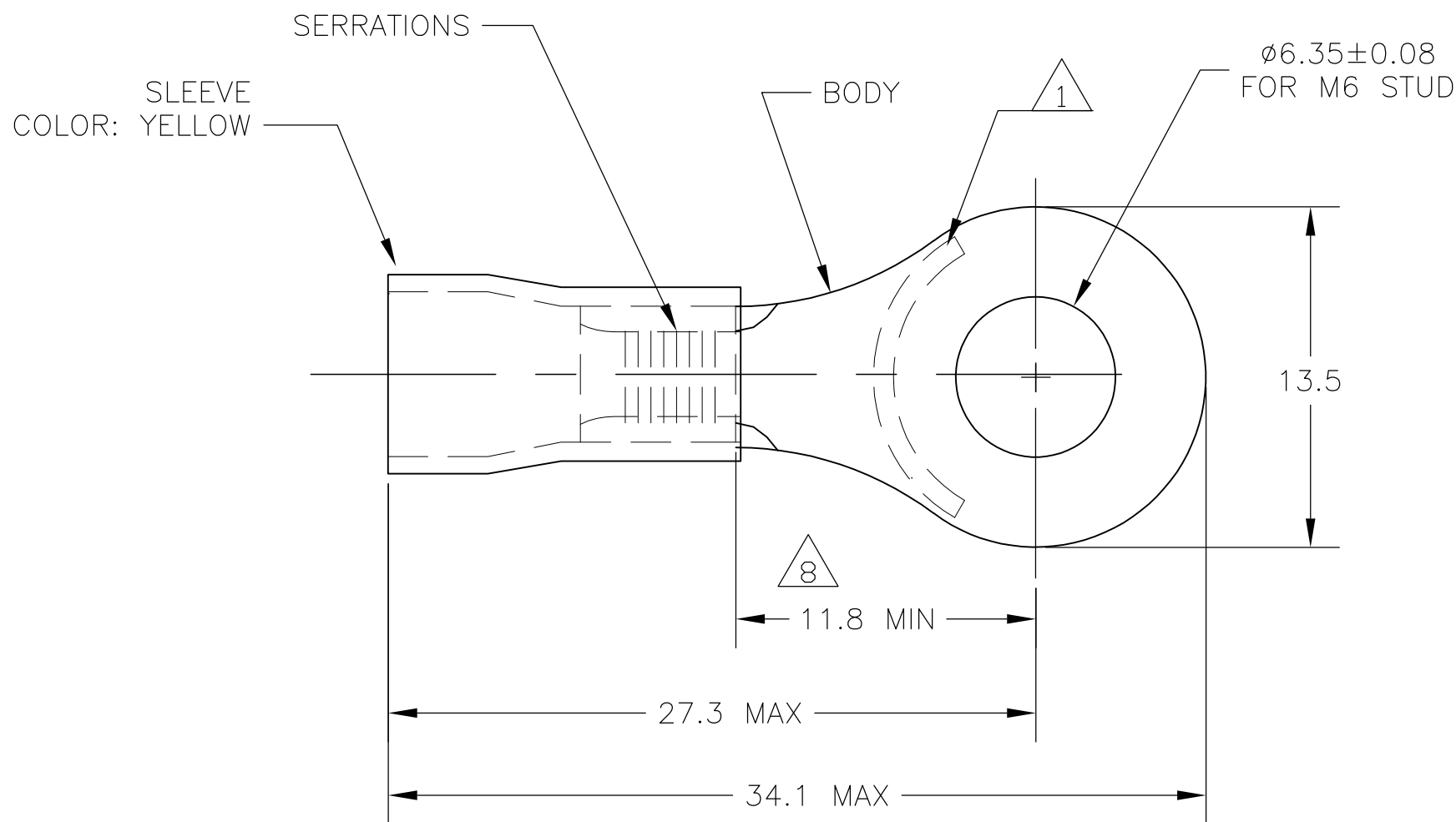


THIS DRAWING IS UNPUBLISHED. RELEASED FOR PUBLICATION  
 © COPYRIGHT - BY TYCO ELECTRONICS CORPORATION. ALL RIGHTS RESERVED.

LOC	DIST	REVISIONS					
G	14	P	LTR	DESCRIPTION	DATE	DWN	APVD
		B		REV PER ECR 08-028314	19NOV08	JR	TM



- 1 STAMP "AMP 12-10\*", LOCATION APPROX AS SHOWN.
- 2 WIRE INSULATION DIA 3.8-6.4
- 3 OPERATING TEMPERATURE 90°C MAX
- 4 VOLTAGE RATING 600V MAX
- 5 CMA 2.62-6.64mm<sup>2</sup> [5,180-13,100]
- 6 MATERIAL:  
BODY - COPPER PER ASTM B-152  
INSULATION - PVC
- 7 FINISH:  
BODY - TIN PL PER ASTM B-545  
INSULATION - COLOR-YELLOW
- 8 APPLIES FROM EDGE OF METAL WIRE BARREL TO CENTER OF STUD HOLE.
- 9 MATERIAL THICKNESS IS 1.00±0.05

LOOSE PIECE	160294
PACKAGE TYPE	PART NO

THIS DRAWING IS A CONTROLLED DOCUMENT.		DWN jr_ruth 19NOV08	Tyco Electronics Corporation Harrisburg, PA 17105-3608			
DIMENSIONS: MM <del>INCHES</del>		CHK T MICHELUTTI 19NOV08				
TOLERANCES UNLESS OTHERWISE SPECIFIED: 0 PLC ± - 1 PLC ± - 2 PLC ± 0.20 3 PLC ± - 4 PLC ± - ANGLES ± 5°		APVD T MICHELUTTI 19NOV08	NAME TERMINAL RING TONGUE, PLASTI-GRIP, WIRE SIZE 12:10			
MATERIAL -		FINISH -	PRODUCT SPEC -	APPLICATION SPEC -		
		WEIGHT -	SIZE A3	CAGE CODE 00779	DRAWING NO C-160294	RESTRICTED TO -
CUSTOMER DRAWING			SCALE 4:1	SHEET 1 OF 1	REV B	

## X-ON Electronics

Largest Supplier of Electrical and Electronic Components

*Click to view similar products for [Terminals](#) category:*

*Click to view products by [TE Connectivity](#) manufacturer:*

Other Similar products are found below :

[00-054007-01074-6](#) [00-054007-70206-1](#) [00-054007-70210-8](#) [00-054007-70217-7](#) [00-054007-70226-9](#) [00-054007-70228-3](#) [00-054007-70248-1](#) [00-054007-70256-6](#) [00-054007-70301-3](#) [00-054007-70316-7](#) [0-0320562-0](#) [00-054007-49560-4](#) [00-054007-70209-2](#) [00-054007-70225-2](#) [00-054007-70227-6](#) [00-054007-70231-3](#) [00-054007-70241-2](#) [00-054007-70242-9](#) [00-054007-70244-3](#) [00-054007-70246-7](#) [00-054007-70263-4](#) [00-054007-70288-7](#) [00-054007-70290-0](#) [00-054007-70300-6](#) [00-054007-70304-4](#) [01-2065-1-0216](#) [01-2900-1-04412](#) [00581P0075](#) [600TS-10](#) [60205-1](#) [604200-1](#) [605601-1](#) [60598-1-CUT-TAPE](#) [61314-6-C](#) [61810-3](#) [61-S](#) [61-SN](#) [626-0194](#) [62-NBM-A](#) [62-SN](#) [62-SP](#) [63-S](#) [640179-1](#) [M55155/059I03](#) [M55155/079C01](#) [M55155/099H02](#) [M55155/109H01](#) [M55155/109H02](#) [M55155/12XH05](#) [M55155/16XH02](#)