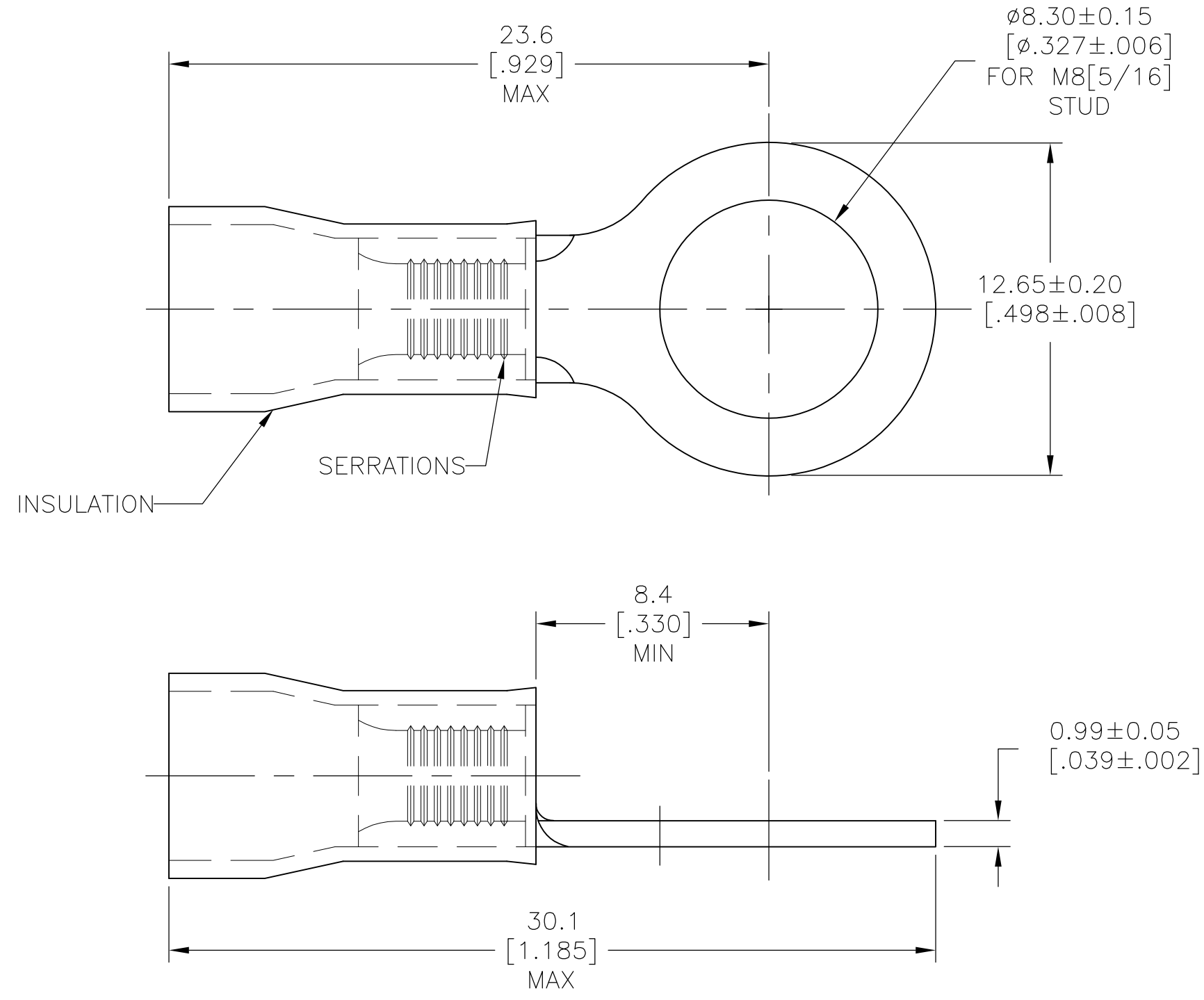


THIS DRAWING IS UNPUBLISHED. RELEASED FOR PUBLICATION
 © COPYRIGHT - By - ALL RIGHTS RESERVED.

| LOC | DIST | REVISIONS | | | | | |
|-----|------|-----------|-----|---------------------------|---------|-----|------|
| G | 02 | P | LTR | DESCRIPTION | DATE | DWN | APVD |
| | | A1 | | REVISED PER ECO-11-020548 | 06FEB12 | KH | DR |



- 1 COPPER PER ASTM B152
- INSULATION: PVC, YELLOW
- 2 TIN PLATE PER ASTM B545
- 3. FOR 3.80[.150] TO 6.30[.248] MAX INSULATION DIAMETER

| | | | |
|----------|-----|--------------|------------|
| OBSOLETE | - | - | 2-160296-1 |
| | 500 | LOOSE PIECE | 160296 |
| | QTY | PACKAGE TYPE | PART NO |

| | | | | | | | | | | |
|---|--------|------------------|--------------|----------------------|-----------------|-----------|------------|-----------------------------------|--|--|
| THIS DRAWING IS A CONTROLLED DOCUMENT. | | DWN | KIRAN HOLAL | 06FEB12 | TE Connectivity | | | | | |
| DIMENSIONS: mm [INCHES] | | CHK | ROHDE DANIEL | 06FEB12 | | | | NAME | | |
| TOLERANCES UNLESS OTHERWISE SPECIFIED: | | APVD | ROHDE DANIEL | 06FEB12 | | | | RING TONGUE ,TERMINAL PLASTI GRIP | | |
| 0 PLC ± - 1 PLC ± - 2 PLC ± - 3 PLC ± - 4 PLC ± - ANGLES ± - | | PRODUCT SPEC | | WIRE SIZE: 12-10 AWG | | | | | | |
| MATERIAL | FINISH | APPLICATION SPEC | | SIZE | | CAGE CODE | DRAWING NO | RESTRICTED TO | | |
| 1 | 2 | WEIGHT | | A3 | | 00779 | C-160296 | - | | |
| CUSTOMER DRAWING | | | | SCALE | 5:1 | SHEET | 1 OF 1 | REV | | |
| | | | | | | | | A1 | | |

X-ON Electronics

Largest Supplier of Electrical and Electronic Components

Click to view similar products for [Terminals](#) category:

Click to view products by [TE Connectivity](#) manufacturer:

Other Similar products are found below :

[00-054007-01074-6](#) [00-054007-70206-1](#) [00-054007-70210-8](#) [00-054007-70217-7](#) [00-054007-70226-9](#) [00-054007-70228-3](#) [00-054007-70248-1](#) [00-054007-70256-6](#) [00-054007-70301-3](#) [00-054007-70316-7](#) [00-054007-49560-4](#) [00-054007-70209-2](#) [00-054007-70225-2](#) [00-054007-70227-6](#) [00-054007-70231-3](#) [00-054007-70241-2](#) [00-054007-70242-9](#) [00-054007-70244-3](#) [00-054007-70246-7](#) [00-054007-70263-4](#) [00-054007-70288-7](#) [00-054007-70290-0](#) [00-054007-70300-6](#) [00-054007-70304-4](#) [01-2065-1-0216](#) [01-2900-1-04412](#) [00581P0075](#) [600TS-10](#) [60205-1](#) [604200-1](#) [605601-1](#) [60598-1-CUT-TAPE](#) [61314-6-C](#) [61810-3](#) [61-S](#) [61-SN](#) [626-0194](#) [62-NBM-A](#) [62-SN](#) [62-SP](#) [63-S](#) [640179-1](#) [M55155/059I03](#) [M55155/079C01](#) [M55155/099H02](#) [M55155/109H01](#) [M55155/109H02](#) [M55155/12XH05](#) [M55155/16XH02](#) [M55155/29-5S](#)