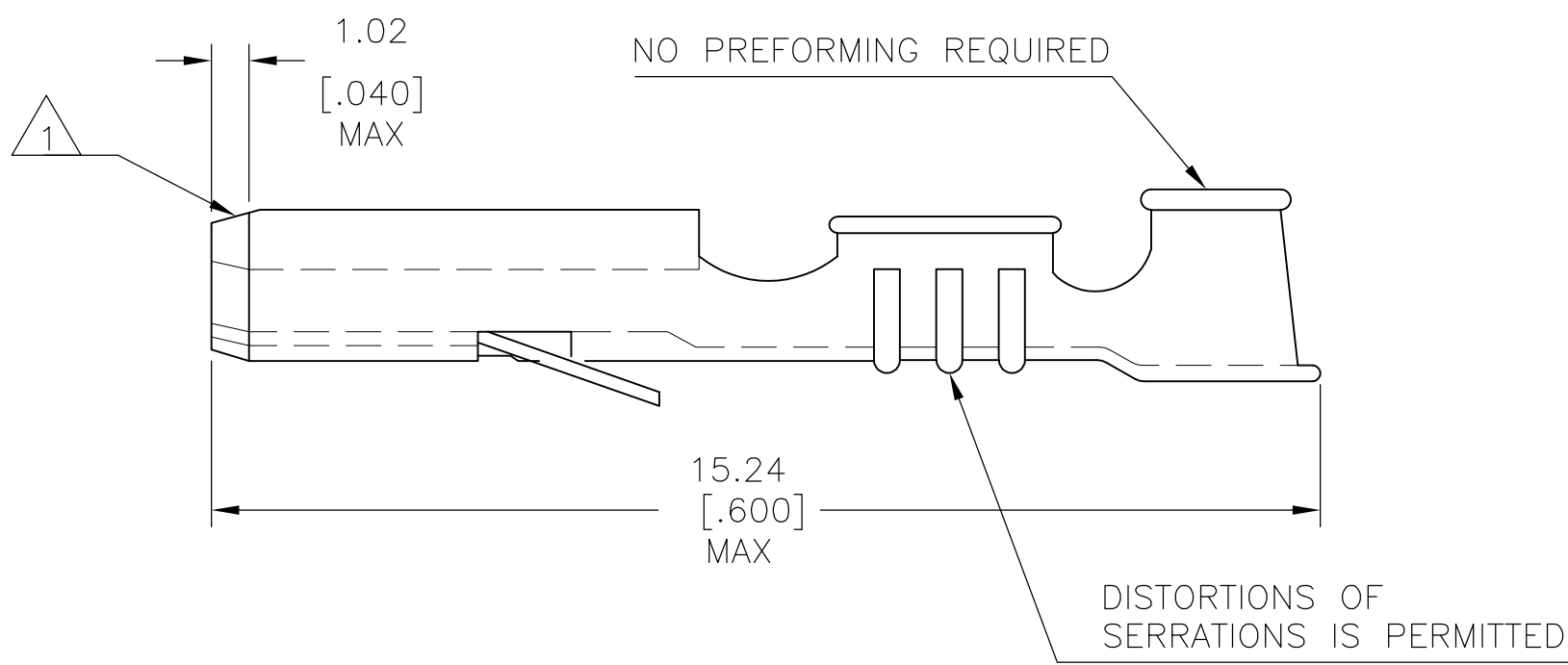



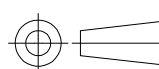
THIS DRAWING IS UNPUBLISHED. RELEASED FOR PUBLICATION
 © COPYRIGHT - By - ALL RIGHTS RESERVED.

| LOC | DIST | REVISIONS | | | | | |
|-----|------|-----------|-----|-------------|-----------|-----|------|
| | | P | LTR | DESCRIPTION | DATE | DWN | APVD |
| - | - | | A | NEW DRAWING | 11NOV2014 | NK | TD |

- △1 CHAMFER AROUND FRONT OF RECEPTACLE.
- △2 OBSOLETE PER CIS STREAMLINING PER D.RENAUD/D.SINISI.



| | |
|-------------|-------------|
| 160173-3 | △2 160308-3 |
| 160173-2 | 160308-2 |
| 160173-1 | △2 160308-1 |
| STRIP EQUIV | PART NUMBER |

| | | | | | | | |
|---|--|------------------|-----------|--|-----------|------------|---------------|
| THIS DRAWING IS A CONTROLLED DOCUMENT. | | DWN | 11NOV2014 |  TE Connectivity | | | |
| DIMENSIONS: | | CHK | 11NOV2014 | | | | |
| mm [INCHES] | TOLERANCES UNLESS OTHERWISE SPECIFIED: | APVD | 11NOV2014 | | | | |
|  | | NAME | | | | | |
| 0 PLC ± - 1 PLC ± - 2 PLC ± - 3 PLC ± - 4 PLC ± - ANGLES ± - | | PRODUCT SPEC | | LOOSE PIECE .110 SER FASTON RECEPTACLE | | | |
| MATERIAL | FINISH | APPLICATION SPEC | | SIZE | CAGE CODE | DRAWING NO | RESTRICTED TO |
| - | - | WEIGHT | - | A3 | 00779 | C-160308 | - |
| CUSTOMER DRAWING | | | | SCALE | 1:1 | SHEET | 1 OF 1 |
| | | | | REV | A | | |

X-ON Electronics

Largest Supplier of Electrical and Electronic Components

Click to view similar products for [Terminals](#) category:

Click to view products by [TE Connectivity](#) manufacturer:

Other Similar products are found below :

[00-054007-01074-6](#) [00-054007-70206-1](#) [00-054007-70210-8](#) [00-054007-70217-7](#) [00-054007-70226-9](#) [00-054007-70228-3](#) [00-054007-70248-1](#) [00-054007-70256-6](#) [00-054007-70301-3](#) [00-054007-70316-7](#) [00-054007-49560-4](#) [00-054007-70209-2](#) [00-054007-70225-2](#) [00-054007-70227-6](#) [00-054007-70231-3](#) [00-054007-70241-2](#) [00-054007-70242-9](#) [00-054007-70244-3](#) [00-054007-70246-7](#) [00-054007-70263-4](#) [00-054007-70288-7](#) [00-054007-70290-0](#) [00-054007-70300-6](#) [00-054007-70304-4](#) [01-2065-1-0216](#) [01-2900-1-04412](#) [00581P0075](#) [600TS-10](#) [60205-1](#) [604200-1](#) [605601-1](#) [60598-1-CUT-TAPE](#) [61314-6-C](#) [61810-3](#) [61-S](#) [61-SN](#) [626-0194](#) [62-NBM-A](#) [62-SN](#) [62-SP](#) [63-S](#) [640179-1](#) [M55155/059I03](#) [M55155/079C01](#) [M55155/099H02](#) [M55155/109H01](#) [M55155/109H02](#) [M55155/12XH05](#) [M55155/16XH02](#) [M55155/29-5S](#)