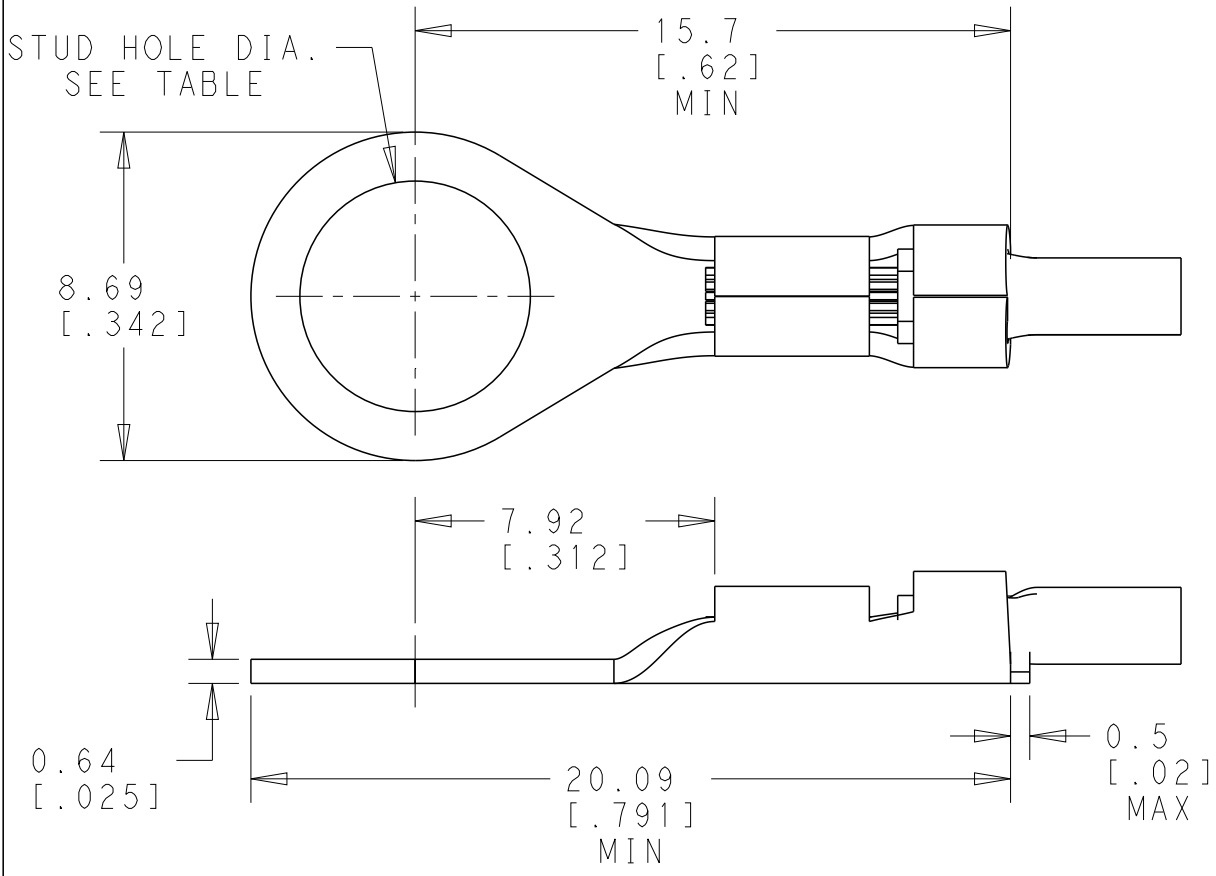


REVISIONS					
P	LTR	DESCRIPTION	DATE	DWN	APVD
	C4	REVISED PER ECR-17-003845	18MAY2017	FV	TD



- 1 OBSOLETE PARTS: OBSOLETE CIS STREAMLINING PER D.RENAUD/D.SINISI
- 2 OBSOLETE
- 3 REELED WITH INTERLEAVING PAPER

* FOR USE ON AMP_O_MATOR

WIRE RANGE	INSL. RANGE
20-16 AWG 0.5-1.5mm ²	Ø.080-Ø.120 (2.0-3.0)

FOR STUD	STUD DIA	PLATING	MATERIAL	PART NO.
M4 #8	4.3 [.171]	-	PH. BR	2 +60101-3
			BRASS	2 +60102-4
M5 #10	5.2 [.207]	-	PH. BR	2 +60102-3
		TIN	BRASS	160102-2
		-		160102-1
M4 #8	4.3 [.171]	TIN		160101-2
		-		160101-1
		TIN		3 160341-3
		TIN		160341-2
M2.6 #4	3.0 [.119]	-		160341-1
		TIN		1 +60100-2
		-		2 +60100-1

THIS DRAWING IS UNPUBLISHED. BY - TE CONNECTIVITY ALL RIGHTS RESERVED. 20

DIMENSIONS: mm [INCHES]		DWN 21MAR2017	MATERIAL -	FINISH -
TOLERANCES UNLESS OTHERWISE SPECIFIED:		CHK -	TE Connectivity	
0 PLC ±- 1 PLC ±- 2 PLC ±0.25 [.010] 3 PLC ±- 4 PLC ±- ANGLES ±1°		APVD -		
PRODUCT SPEC -		NAME RING TONGUE WITH INS. SUPPORT		
APPLICATION SPEC -		SIZE A4	CAGE CODE -	DRAWING NO C-160100
WEIGHT -		RESTRICTED TO -		
CUSTOMER DRAWING		SCALE 5:1	SHEET 1 OF 1	REV C4

X-ON Electronics

Largest Supplier of Electrical and Electronic Components

Click to view similar products for [Terminals](#) category:

Click to view products by [TE Connectivity](#) manufacturer:

Other Similar products are found below :

[00-054007-01074-6](#) [00-054007-70206-1](#) [00-054007-70210-8](#) [00-054007-70217-7](#) [00-054007-70226-9](#) [00-054007-70228-3](#) [00-054007-70248-1](#) [00-054007-70256-6](#) [00-054007-70301-3](#) [00-054007-70316-7](#) [00-054007-49560-4](#) [00-054007-70209-2](#) [00-054007-70225-2](#) [00-054007-70227-6](#) [00-054007-70231-3](#) [00-054007-70241-2](#) [00-054007-70242-9](#) [00-054007-70244-3](#) [00-054007-70246-7](#) [00-054007-70263-4](#) [00-054007-70288-7](#) [00-054007-70290-0](#) [00-054007-70300-6](#) [00-054007-70304-4](#) [01-2065-1-0216](#) [01-2900-1-04412](#) [00581P0075](#) [600TS-10](#) [60205-1](#) [604200-1](#) [605601-1](#) [60598-1-CUT-TAPE](#) [61314-6-C](#) [61810-3](#) [61-S](#) [61-SN](#) [626-0194](#) [62-NBM-A](#) [62-SN](#) [62-SP](#) [63-S](#) [640179-1](#) [M55155/059I03](#) [M55155/079C01](#) [M55155/099H02](#) [M55155/109H01](#) [M55155/109H02](#) [M55155/12XH05](#) [M55155/16XH02](#) [M55155/29-5S](#)