

SCALA NON IMPEGNATIVA
(DO NOT SCALE)
DIMENSIONI IN mm
(DIMENSIONS IN)

METRIC

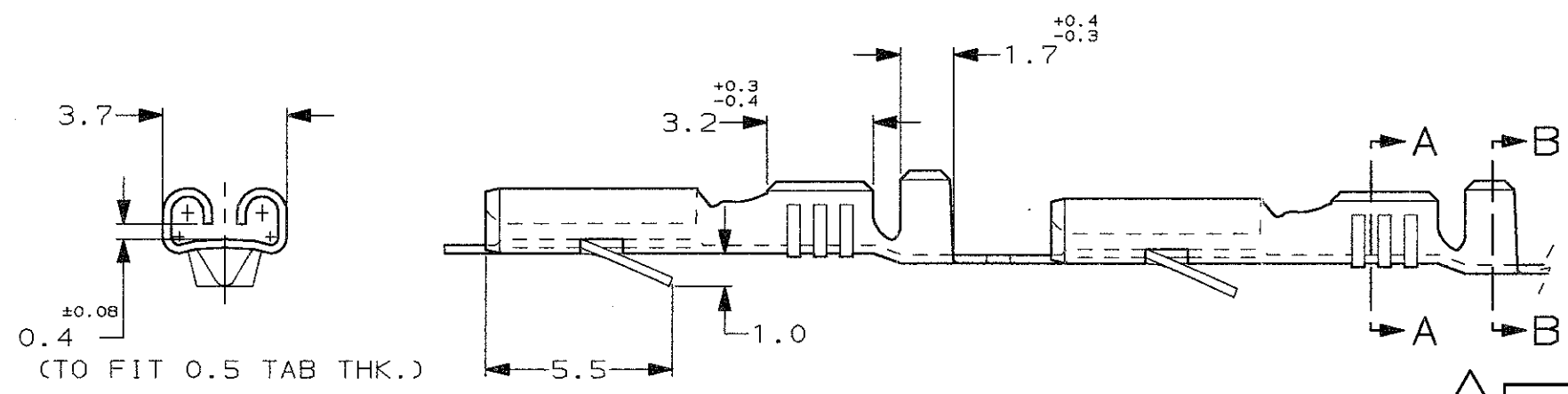
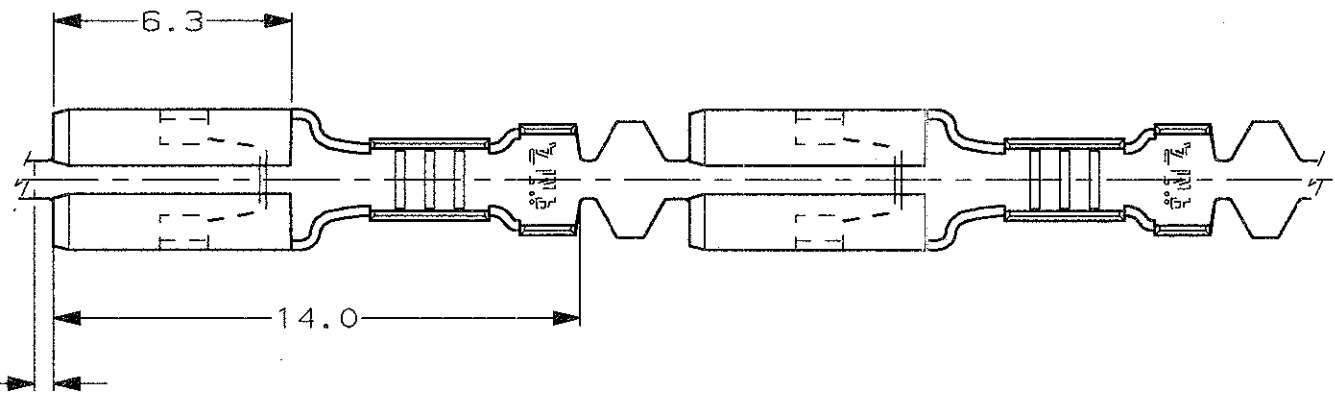
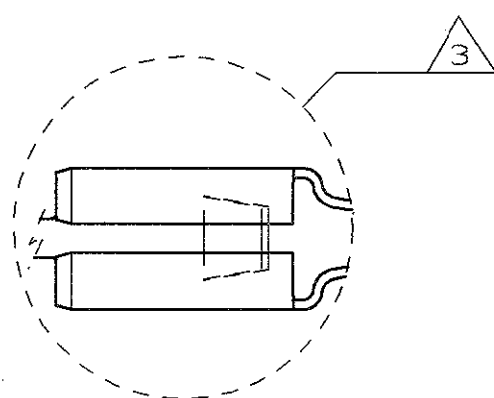
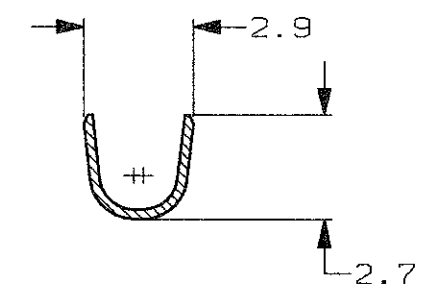
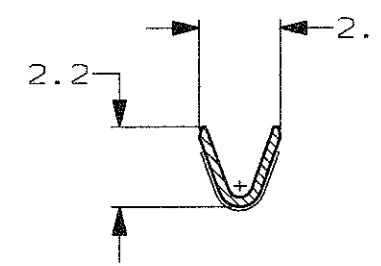
PROIEZIONE EUROPEA
(EUROPEAN PROJECTION)

NOTES:

- ① FOR USE ON STANDARD APPLICATORS (RIGHT-LEFT FEED).
- ② FOR USE ON MINIATURE APPLICATORS (LEFT-RIGHT FEED; AMP-O-MATOR APPLICATION).
- ③ DIFFERENT SHAPE FOR LOCKING LANCE TE AMP ITALY PRODUCTION
- ④ OBSOLETE PARTS: OBSOLETE CIS STREAMLINING PER D.RENAUD/D.SINISI

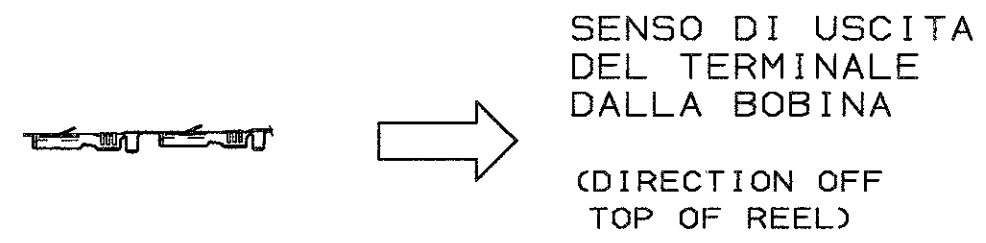
**SEZIONE A-A
(SECTION A-A)**

**SEZIONE B-B
(SECTION B-B)**



④ OBSOLETE	③ ② ①	STAGNATO (TIN PLATED)	OTTONE (BRASS)	1-160366-2	AR
	①	ARGENTATO (SILVER PLATED)	BRONZO FOSFOROSO (PHOS. BRONZE)	0-160366-6	AR
④ OBSOLETE	② ①	STAGNATO (TIN PLATED)	BRONZO FOSFOROSO (PHOS. BRONZE)	0-160366-5	AR
	①	NUDO (UNPLATED)	BRONZO FOSFOROSO (PHOS. BRONZE)	0-160366-4	AR
④ OBSOLETE	①	ARGENTATO (SILVER PLATED)	OTTONE (BRASS)	0-160366-3	AR
	② ①	STAGNATO (TIN PLATED)	OTTONE (BRASS)	0-160366-2	AR
	①	NUDO (UNPLATED)	OTTONE (BRASS)	0-160366-1	AR
NOTE		FINITURA / COLORE (FINISH / COLOUR)	MATERIALE (MATERIAL)	NUMERO (PART NUMBER)	REV.

STATO DI FORNITURA - SCALA 1:1
(SUPPLY CONDITION - SCALE 1:1)



CUSTOMER DWG. FOR REFERENCE ONLY **DISEGNO PER CLIENTE SOLO PER RIFERIMENTO**

THIS DRAWING IS UNPUBLISHED RELEASE FOR PUBLICATION 19

TOLLERANZE, SE NON DIVERSAMENTE SPECIFICATO (TOLERANCES, UNLESS OTHERWISE SPECIFIED)	DIAM. ISOLANTE (INS. DIA. RANGE)	RANGO FILO (WIRE RANGE) mm ²	SCALA (SCALE)
± 0.3	1.3-2.0	0.3-0.5	5:1
ANGOLI (ANGLES)	TE Connectivity		
± 2°	DIS. H. YAALI (DR.) 24 JUN 99		
	DESCRIZIONE (DESCRIPTION) FASTIN-FASTON® Connector .110" sr. REC. CONTACT		
	CONT. C. TARTARI (CHK) 24 JUN 99		

AR5	REVISED PER ECO-11-005140	RK	31MAR11	APP. (APP.)	LOC. SIZE	NUMERO (DWG NO)	REV.	FOGLIO (SHEET)
REV. (REV.)	REVISIONI (REVISION RECORD)	DIS. (DR)	DATA (DATE)		I A3	C-160366	AR5	1 DI (OF) 1

DISTRIBUZIONE (PRINT/DIST.)

X-ON Electronics

Largest Supplier of Electrical and Electronic Components

Click to view similar products for [Terminals](#) category:

Click to view products by [TE Connectivity](#) manufacturer:

Other Similar products are found below :

[00-054007-01074-6](#) [00-054007-70206-1](#) [00-054007-70210-8](#) [00-054007-70217-7](#) [00-054007-70226-9](#) [00-054007-70228-3](#) [00-054007-70248-1](#) [00-054007-70256-6](#) [00-054007-70301-3](#) [00-054007-70316-7](#) [0-0320562-0](#) [00-054007-49560-4](#) [00-054007-70209-2](#) [00-054007-70225-2](#) [00-054007-70227-6](#) [00-054007-70231-3](#) [00-054007-70241-2](#) [00-054007-70242-9](#) [00-054007-70244-3](#) [00-054007-70246-7](#) [00-054007-70263-4](#) [00-054007-70288-7](#) [00-054007-70290-0](#) [00-054007-70300-6](#) [00-054007-70304-4](#) [01-2065-1-0216](#) [01-2900-1-04412](#) [00581P0075](#) [600TS-10](#) [60205-1](#) [604200-1](#) [605601-1](#) [60598-1-CUT-TAPE](#) [61314-6-C](#) [61810-3](#) [61-S](#) [61-SN](#) [626-0194](#) [62-NBM-A](#) [62-SN](#) [62-SP](#) [63-S](#) [640179-1](#) [M55155/059I03](#) [M55155/079C01](#) [M55155/099H02](#) [M55155/109H01](#) [M55155/109H02](#) [M55155/12XH05](#) [M55155/16XH02](#)