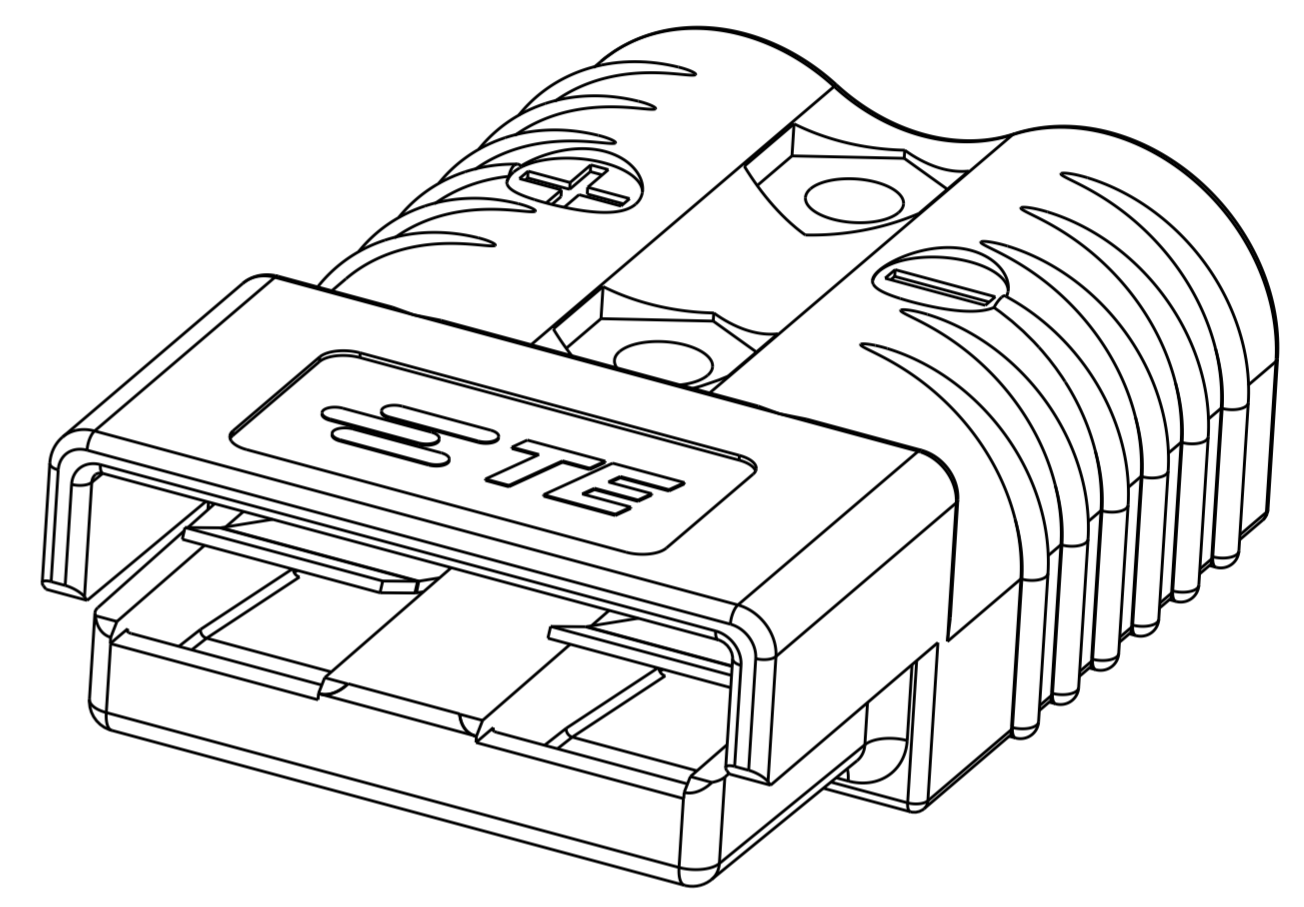
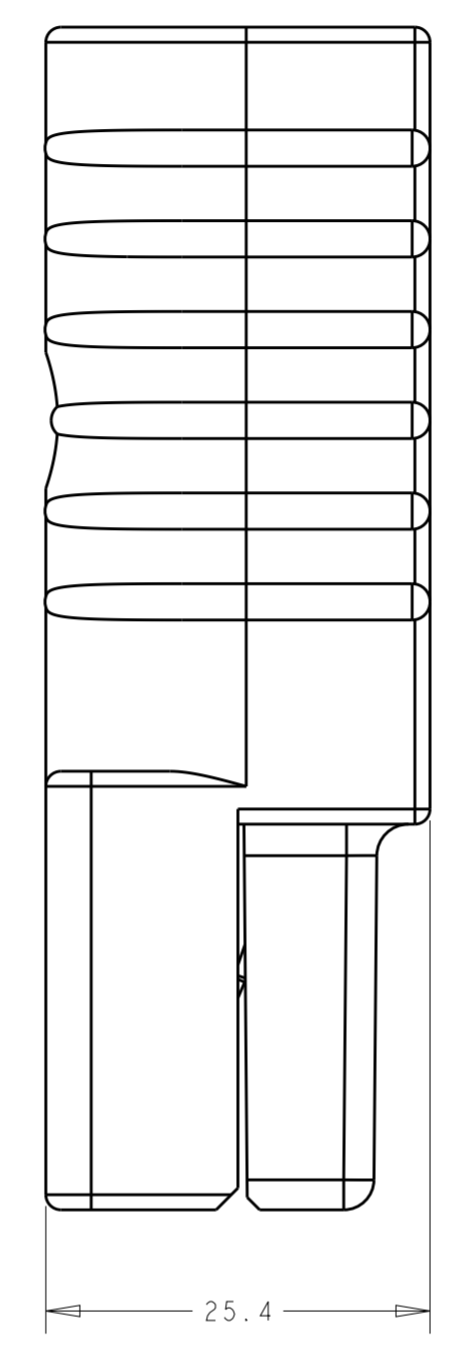
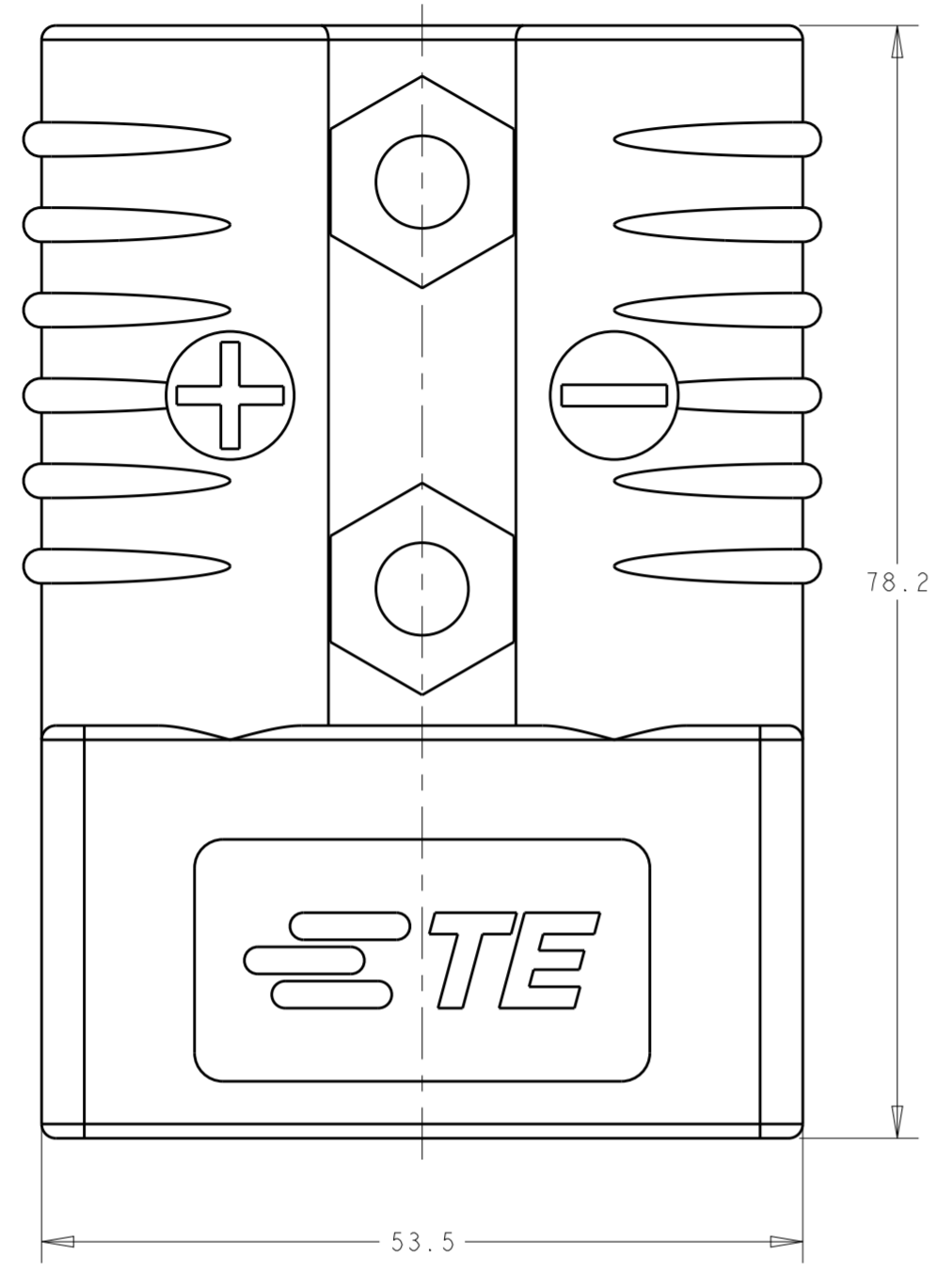
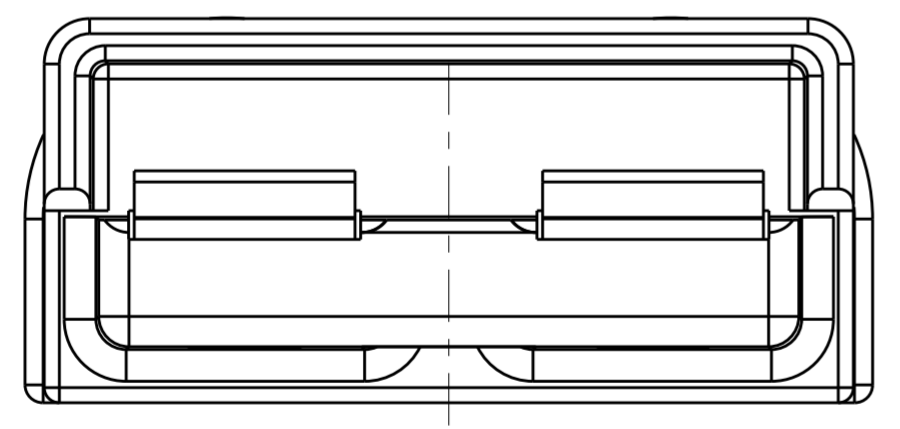


THIS DRAWING IS UNPUBLISHED. RELEASED FOR PUBLICATION 20
 © COPYRIGHT 20 BY - ALL RIGHTS RESERVED.

LOC	DIST	REVISIONS					
CM	0	P	LTR	DESCRIPTION	DATE	DWN	APVD
		P		REVISED PER ECO-11-005027	18MAR2011	RK	HMR
		P1		REV PER ECR-11-023441	17NOV2011	AY	SZ
		P2		REVISED PER ECR-15-013928	22SEP2015	RS	SZ



(P2) PART NUMBER: 1604037-1



THIS PRODUCT HAS PASSED VERIFICATION AND AGENCY APPROVALS TESTING AND IS COMPONENT RECOGNIZED PER UL 1977 AND CSA 22.2. TE CONNECTIVITY PRODUCT QUALIFICATION TESTING IS NOT YET COMPLETED.

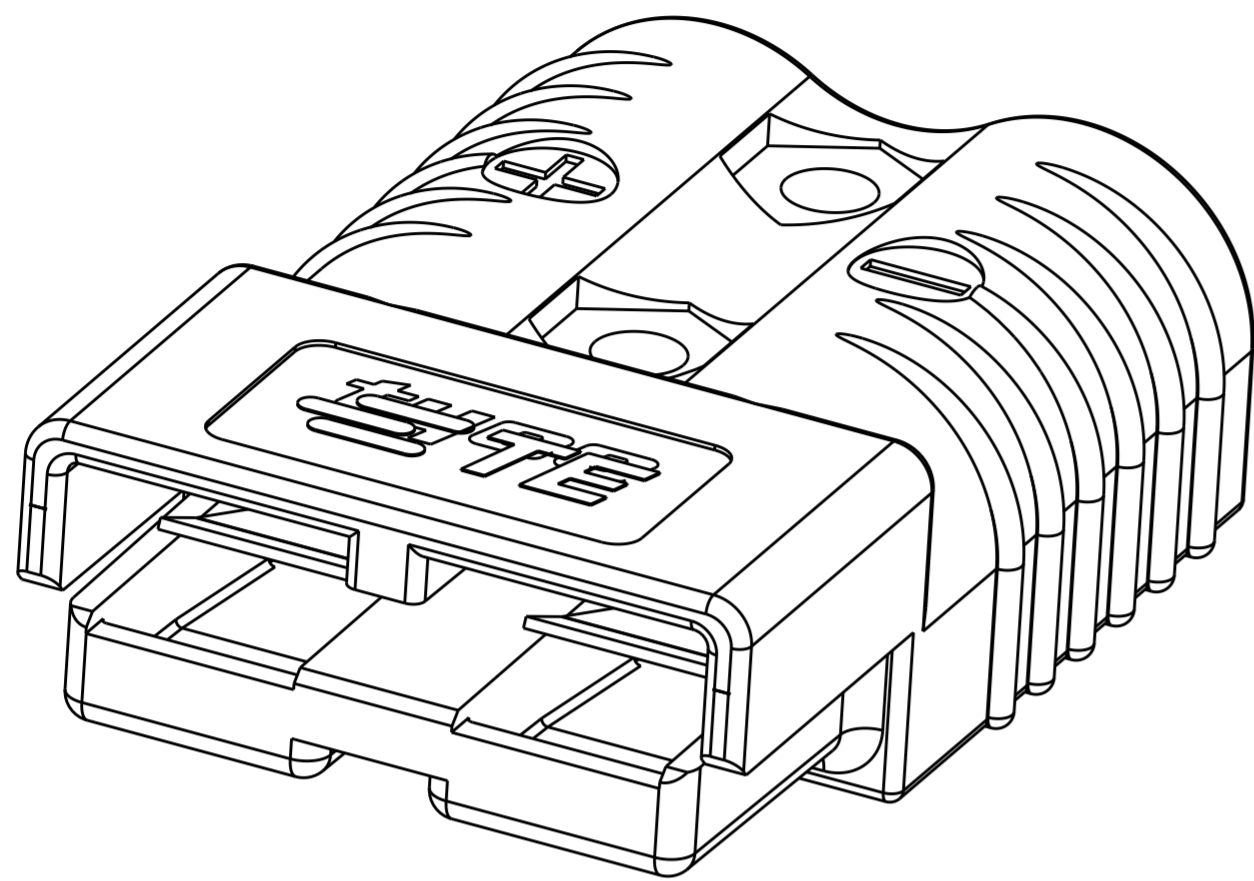
BLACK	1604037-6
BLUE	1604037-5
GRAY	1604037-4
RED	1604037-3
ORANGE	1604037-2
YELLOW	1604037-1
HOUSING COLOR	ASSEMBLY PART NO

METRIC

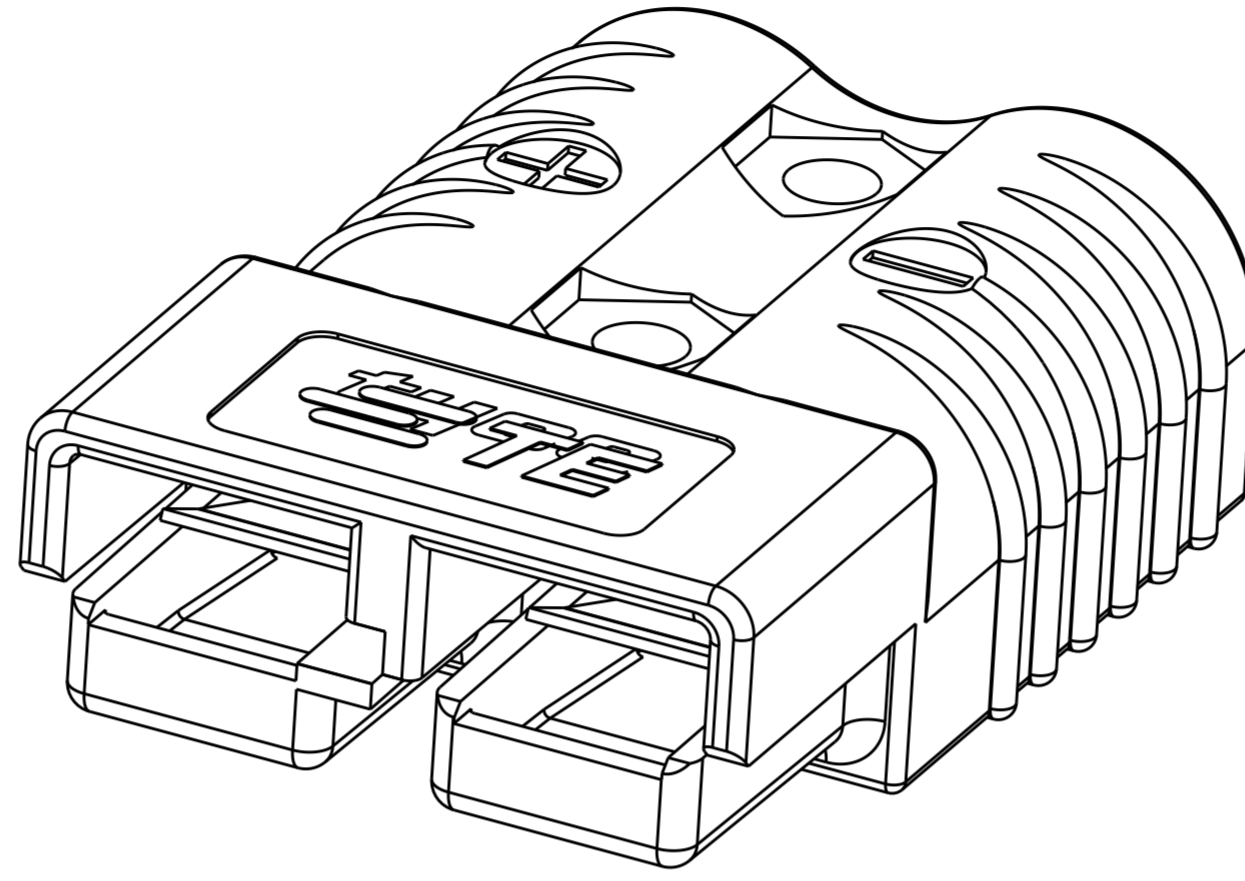
THIS DRAWING IS A CONTROLLED DOCUMENT.		DWN B. D. YOHN 12DEC2001	STC TE Connectivity	
DIMENSIONS: mm		CHK W. BERNHART 12DEC2001		
TOLERANCES UNLESS OTHERWISE SPECIFIED:		APVD J. A. FULPONT 12DEC2001	NAME SUB-ASSY, HOUSING W/ SPRING, AMP POWER SERIES 175	
0 PLC ±0.13	1 PLC ±0.13	PRODUCT SPEC	SIZE CAGE CODE DRAWING NO RESTRICTED TO	
2 PLC ±0.13	3 PLC ±0.13	APPLICATION SPEC	A200779 C-1604037	
4 PLC ±	ANGLES ±	WEIGHT	SCALE 2:1 SHEET 1 OF 2 REV P2	
MATERIAL	FINISH	CUSTOMER DRAWING		

THIS DRAWING IS UNPUBLISHED. RELEASED FOR PUBLICATION 20
 © COPYRIGHT 20 BY - ALL RIGHTS RESERVED.

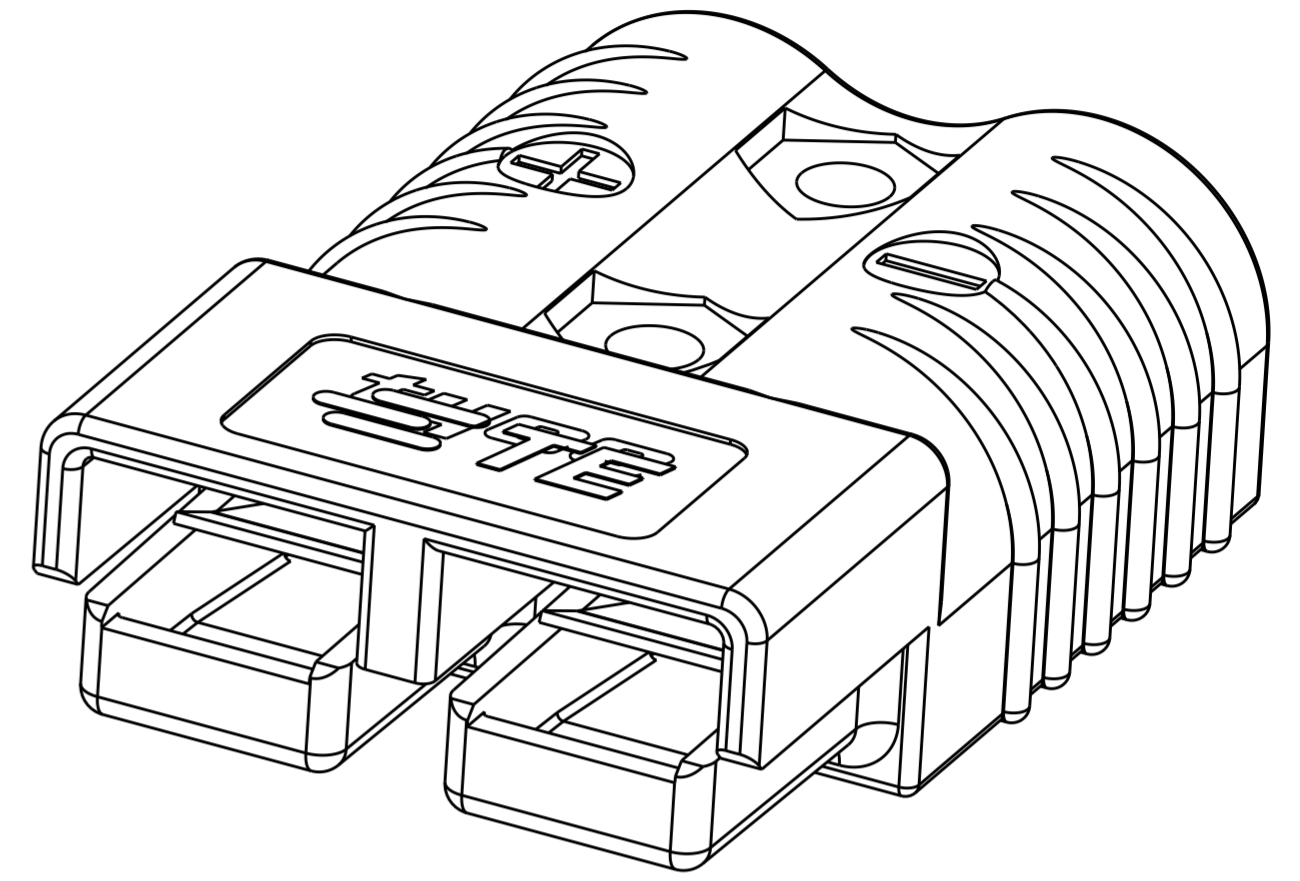
LOC	DIST	REVISIONS					
CM	0	P	LTR	DESCRIPTION	DATE	DWN	APVD
		-		SEE SHEET 1			



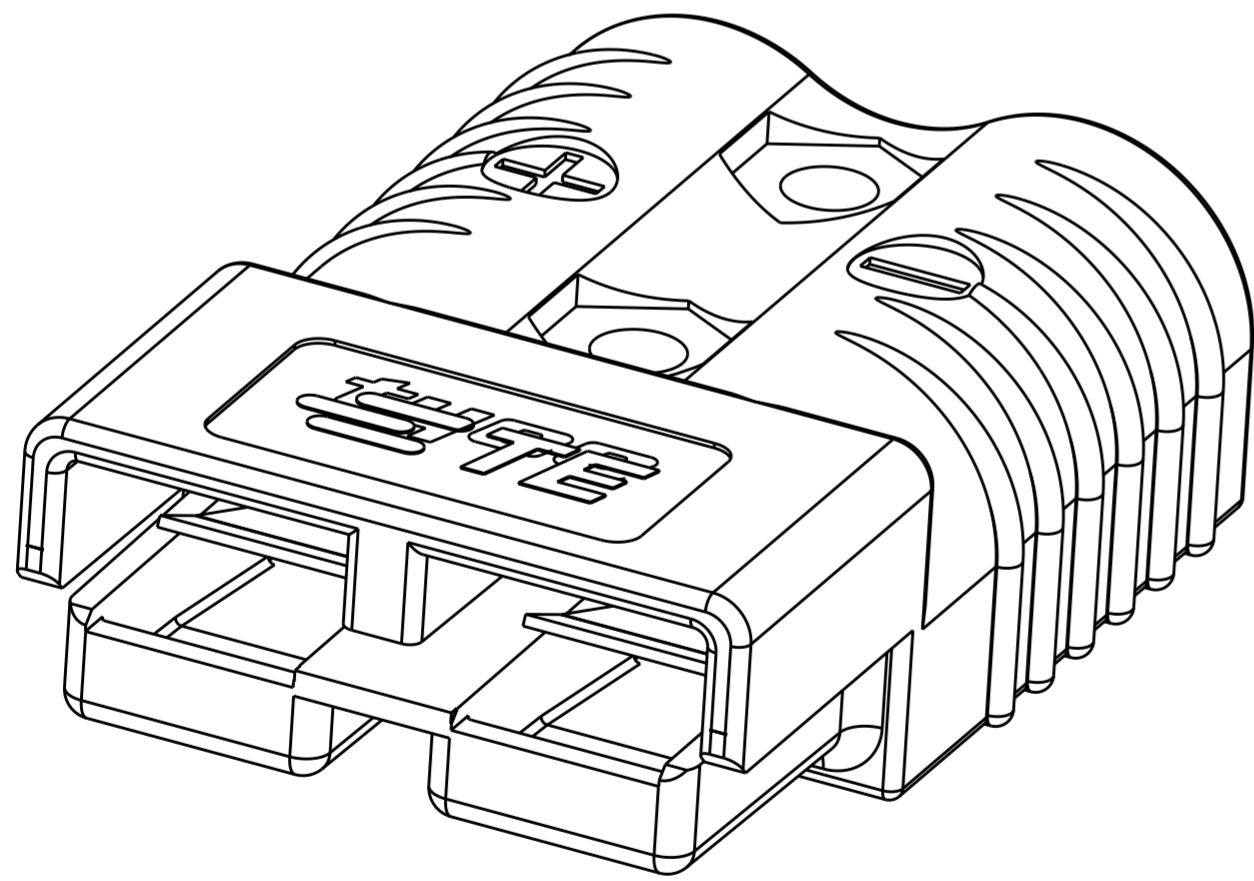
(P2) PART NUMBER: 1604037-2



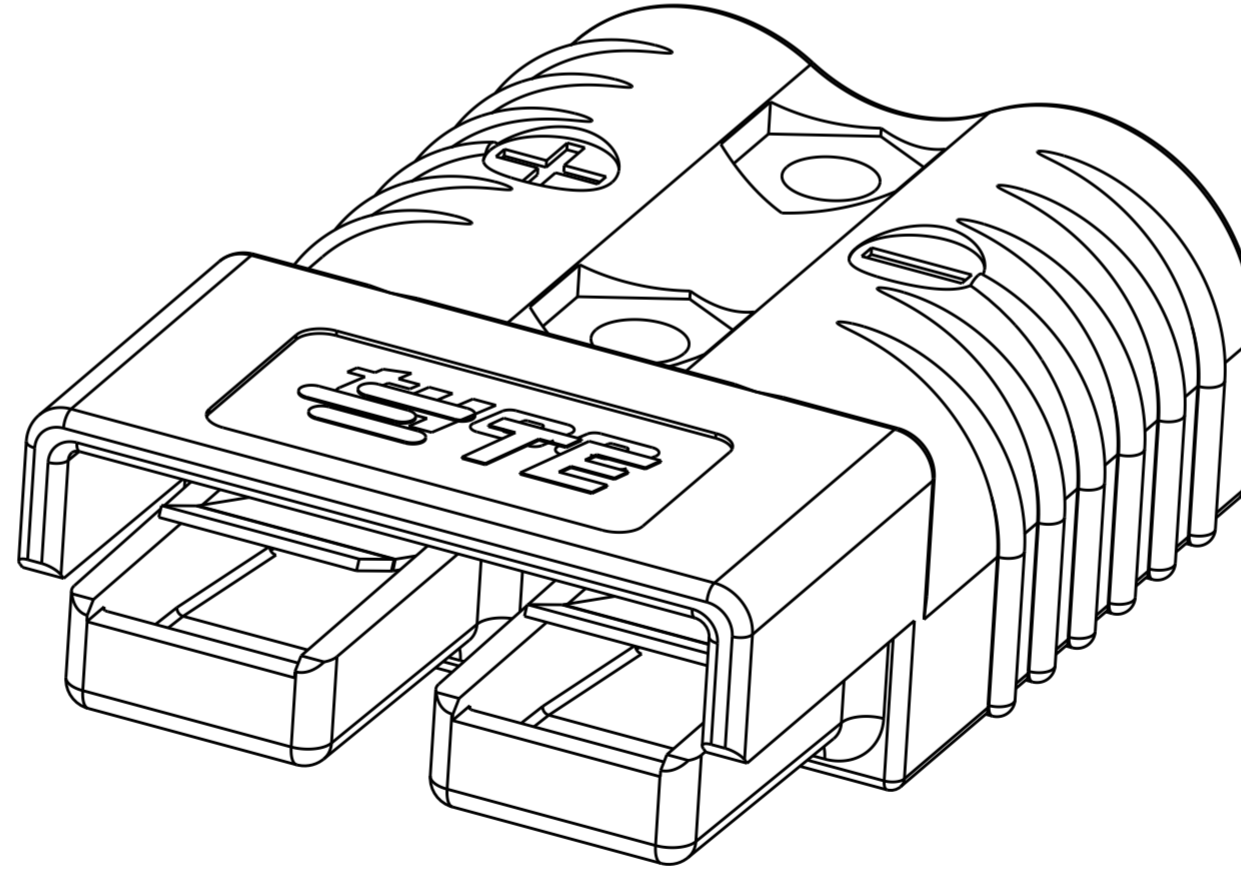
(P2) PART NUMBER: 1604037-3




(P2) PART NUMBER: 1604037-4



(P2) PART NUMBER: 1604037-5



(P2) PART NUMBER: 1604037-6

THIS DRAWING IS A CONTROLLED DOCUMENT.		DWN B. D. YOHN 12DEC2001	 TE Connectivity	
DIMENSIONS: mm		CHK W. BERNHART 12DEC2001		
TOLERANCES UNLESS OTHERWISE SPECIFIED:		APVD J. A. FULPONT 12DEC2001	NAME SUB-ASSY, HOUSING W/ SPRING, AMP POWER SERIES 175	
0 PLC ±0.13 1 PLC ±0.13 2 PLC ±0.13 3 PLC ±0.13 4 PLC ± ANGLES ± FINISH ±		PRODUCT SPEC -	SIZE A200779	DRAWING NO C-1604037
MATERIAL		APPLICATION SPEC -	RESTRICTED TO -	SCALE 2:1
		WEIGHT -	SHEET 2 OF 2	
		CUSTOMER DRAWING	REV P2	

X-ON Electronics

Largest Supplier of Electrical and Electronic Components

Click to view similar products for [Power to the Board](#) category:

Click to view products by [TE Connectivity](#) manufacturer:

Other Similar products are found below :

[6450171-4](#) [6450552-7](#) [6600323-8](#) [6643429-1](#) [6646040-2](#) [6651939-1](#) [6766604-1](#) [120959-1](#) [1393557-2](#) [1393532-2](#) [1393532-3](#) [1393532-4](#)
[1393557-1](#) [1600812-5](#) [1-6450861-2](#) [1744132-7](#) [1761122-1](#) [1766250-1](#) [1892109-1](#) [2-6450860-5](#) [2-6450870-0](#) [1-6450161-4](#) [1-6450850-6](#) [1-](#)
[6450869-6](#) [1645526-2](#) [1-6600130-0](#) [2005243-2](#) [377-0020-11130](#) [TE34-12-16P-F0](#) [51700-10201602AALF](#) [5-6450830-6](#) [5646956-4](#) [377-](#)
[0080-11131A](#) [4-6450830-9](#) [4-6600333-3](#) [10125416-4050LF](#) [10130248-005LF](#) [6600320-3](#) [3-6450860-5](#) [1888123-2](#) [6450166-1](#) [6643978-1](#)
[6766605-1](#) [701-15-02109](#) [N11444](#) [6651938-1](#) [6450810-7](#) [46437-1112](#) [1-1589677-8](#) [5646956-5](#)