

4

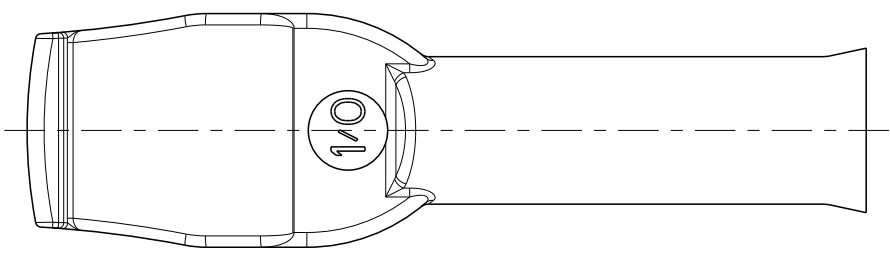
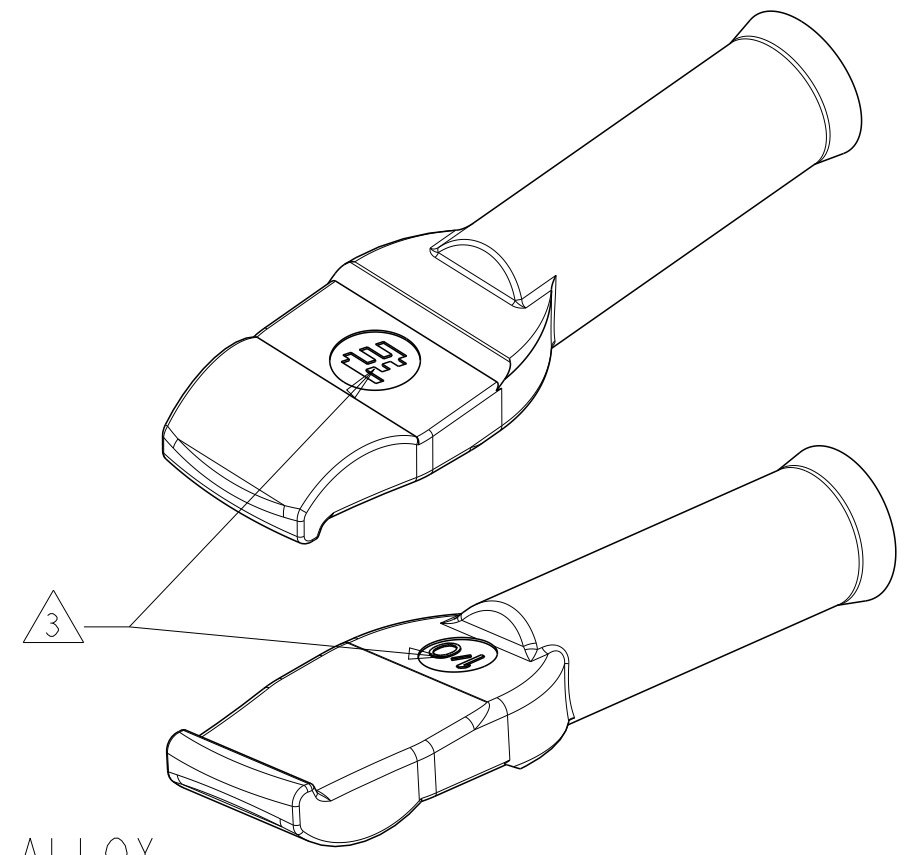
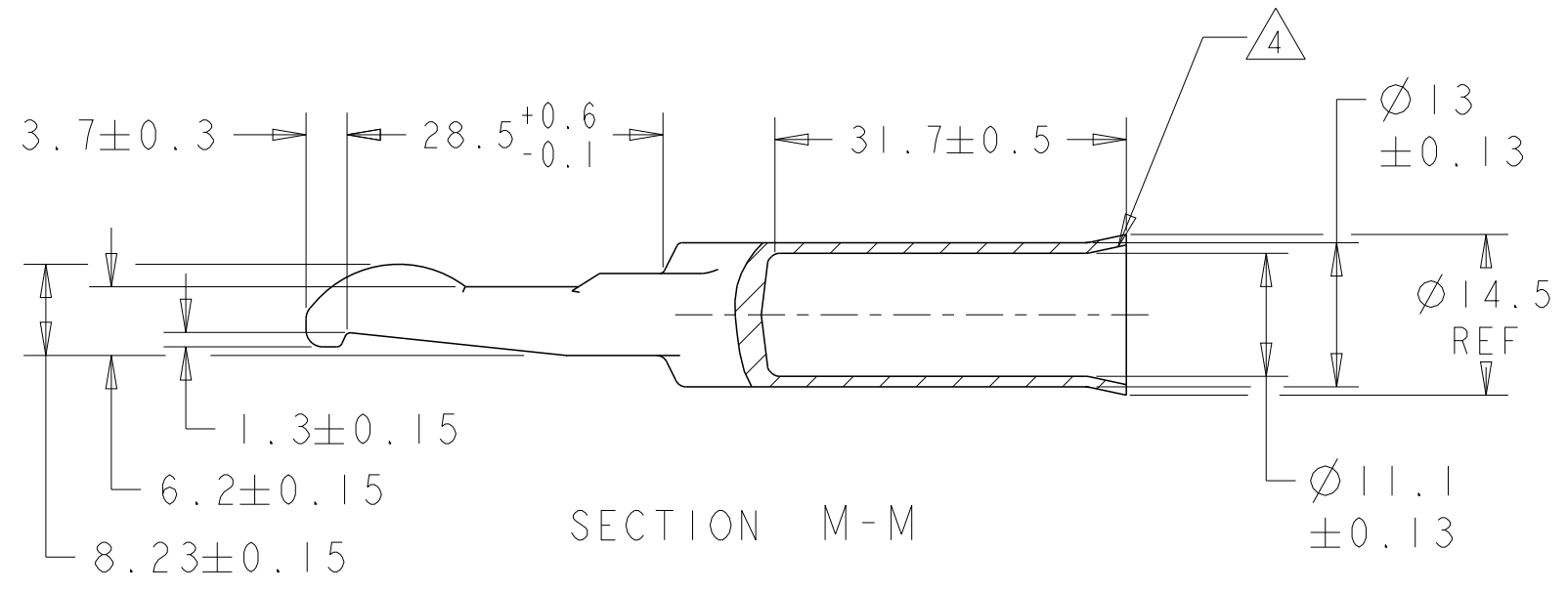
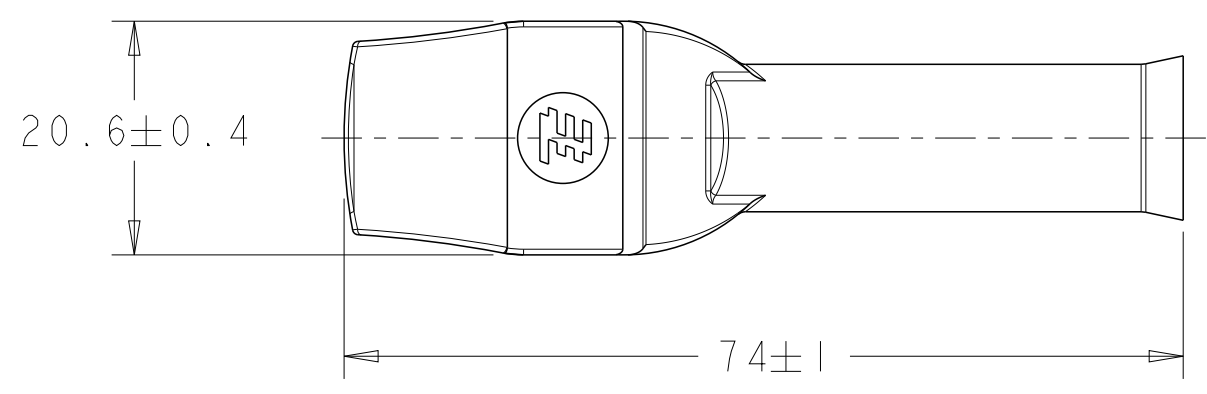
3

2

1

THIS DRAWING IS UNPUBLISHED. RELEASED FOR PUBLICATION 20
 © COPYRIGHT 20 BY TYCO ELECTRONICS CORPORATION. ALL RIGHTS RESERVED.

| LOC | DIST | REVISIONS | | | | | |
|-----|------|-----------|-----|-----------------------|-----------|-----|------|
| CM | 0 | P | LTR | DESCRIPTION | DATE | DWN | APVD |
| | | | B | REV PER ECR 10-006756 | 01APR10 | JR | SM |
| | | | C | REV PER ECR-18-000415 | 17JAN2018 | RS | SZ |
| | | | CI | REV PER ECR-18-010169 | 04JUL2018 | RS | SZ |



- 1. MATERIAL: COPPER ALLOY
- 2. FINISH: PLATED SILVER
- 3. STAMP MARK MAY BE ROTATED
- 4. DEFORMATION OF THE FLARE IS PERMISSIBLE PROVIDED IT DOES NOT REDUCE THE WIRE BARREL ID.

METRIC

| | |
|-------------|-------------|
| AS SHOWN | 1604055-1 |
| DESCRIPTION | PART NUMBER |

| | | | | | |
|--|--|---|--|--|--|
| <small>THIS DRAWING IS A CONTROLLED DOCUMENT FOR TYCO ELECTRONICS CORPORATION. IT IS SUBJECT TO CHANGE AND THE CONTROLLING ENGINEERING ORGANIZATION SHOULD BE CONTACTED FOR THE LATEST REVISION.</small> | | DWN 09APR2002 Brent D. Yohn | | tyco Tyco Electronics Electronics Harrisburg, PA 17105-3608 | |
| DIMENSIONS: mm | | TOLERANCES UNLESS OTHERWISE SPECIFIED: | | NAME CONTACT, AMP POWER SERIES 350, 1/0 AWG | |
| | | 0 PLC ±- 1 PLC ±0.3 2 PLC ±0.13 3 PLC ±0.050 4 PLC ±- ANGLES ±1° | | PRODUCT SPEC - APPLICATION SPEC - WEIGHT - | |
| MATERIAL - | | FINISH - | | SIZE A3 CAGE CODE 00779 DRAWING NO C-1604055 RESTRICTED TO | |
| CUSTOMER DRAWING | | | | SCALE 3:2 SHEET 1 OF 1 REV CI | |

X-ON Electronics

Largest Supplier of Electrical and Electronic Components

Click to view similar products for [Power to the Board](#) category:

Click to view products by [TE Connectivity](#) manufacturer:

Other Similar products are found below :

[6450171-4](#) [6450552-7](#) [6600323-8](#) [6643429-1](#) [6646040-2](#) [6651939-1](#) [6766604-1](#) [120959-1](#) [1393557-2](#) [1393532-2](#) [1393532-3](#) [1393532-4](#)
[1393557-1](#) [1600812-5](#) [1-6450861-2](#) [1744132-7](#) [1761122-1](#) [1766250-1](#) [1892109-1](#) [2-6450860-5](#) [2-6450870-0](#) [1-6450161-4](#) [1-6450850-6](#) [1-6450869-6](#) [1645526-2](#) [1-6600130-0](#) [2005243-2](#) [377-0020-11130](#) [TE34-12-16P-F0](#) [5-6450830-6](#) [5646956-4](#) [377-0080-11131A](#) [4-6450830-9](#)
[4-6600333-3](#) [10125416-4050LF](#) [6600320-3](#) [3-6450860-5](#) [1888123-2](#) [6450166-1](#) [6643978-1](#) [6766605-1](#) [701-15-02109](#) [N11444](#) [6651938-1](#)
[6450810-7](#) [46437-1112](#) [1-1589677-8](#) [5646956-5](#) [6450813-2](#) [6450129-4](#)